

**FC-088**  
**F-16 Fighter Plane**



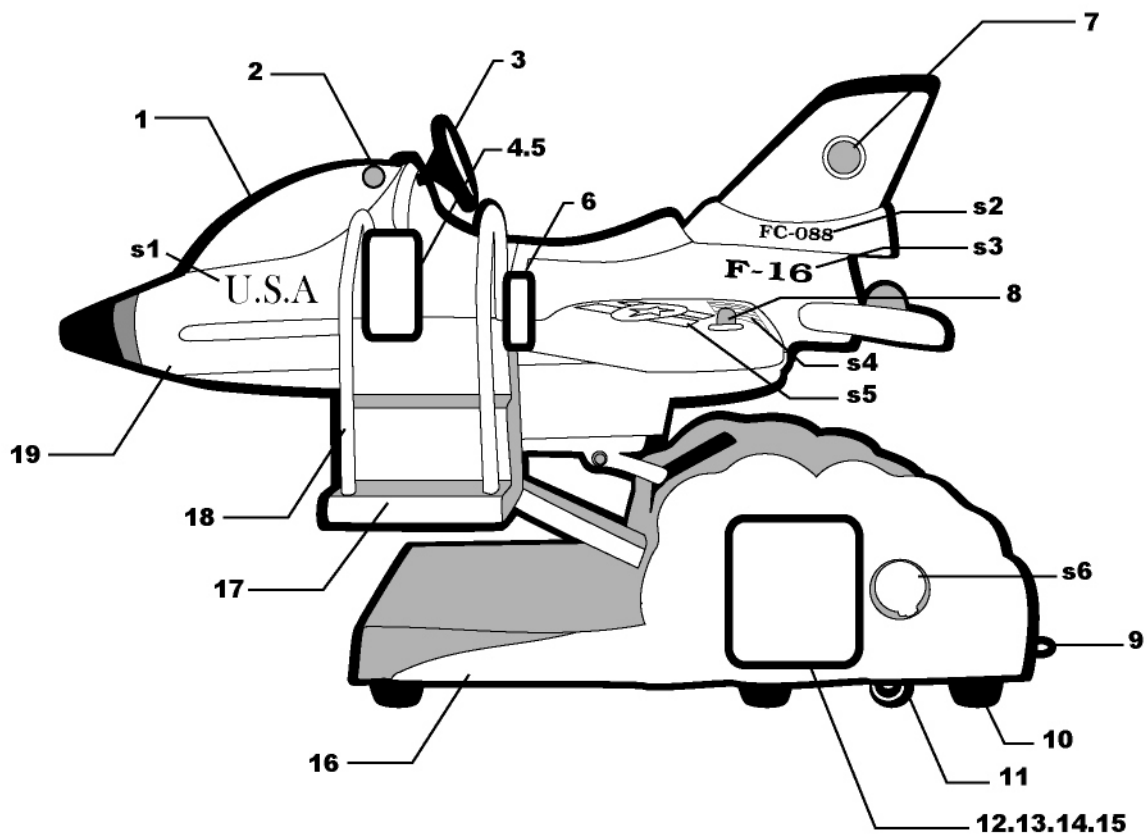
**Specification**

**Dimension** L195 x W130 x H130 cm

**Weight** 130 kgs

**Voltage** 110V AC, 60Hz, 3A, Max 6A  
220V AC, 50Hz, 3A, Max 6A

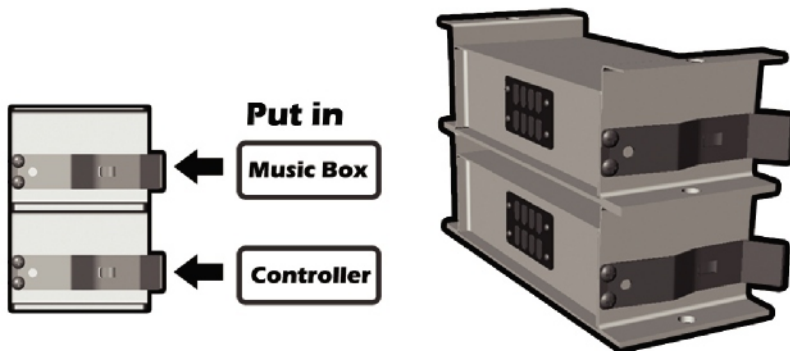
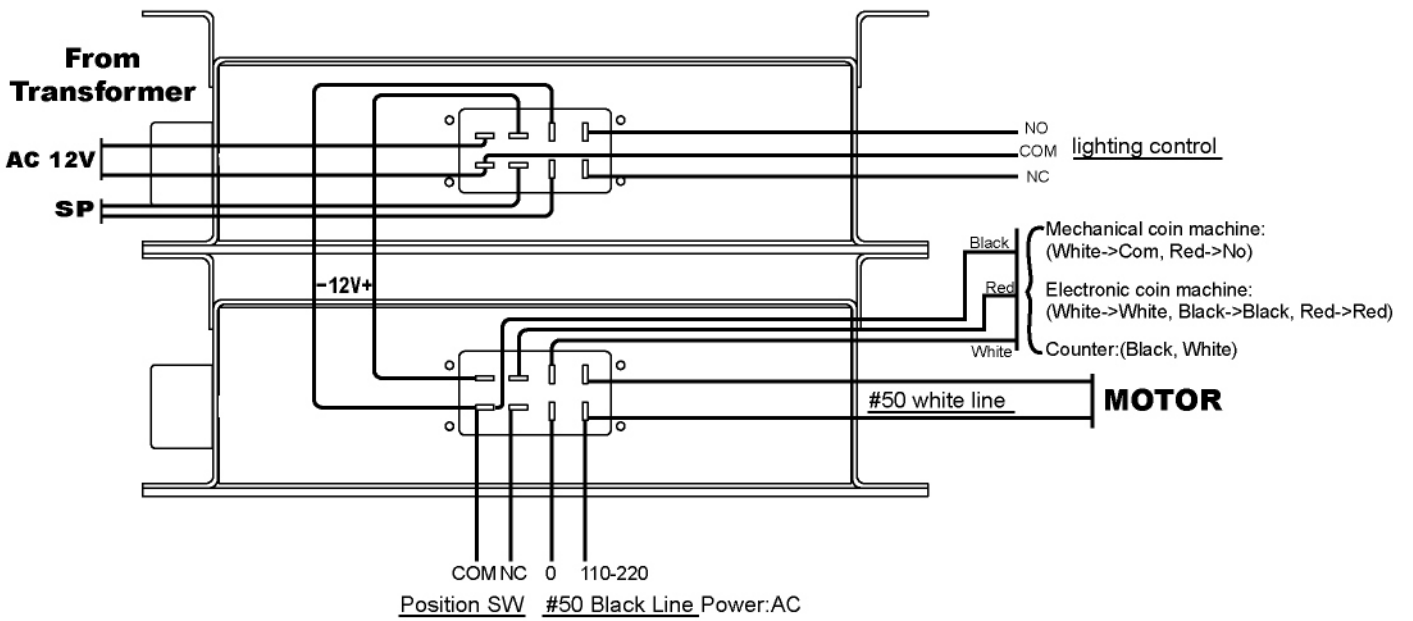
**F-16 FIGHTER PLANE Detail Manual**



**SIDE VIEW**

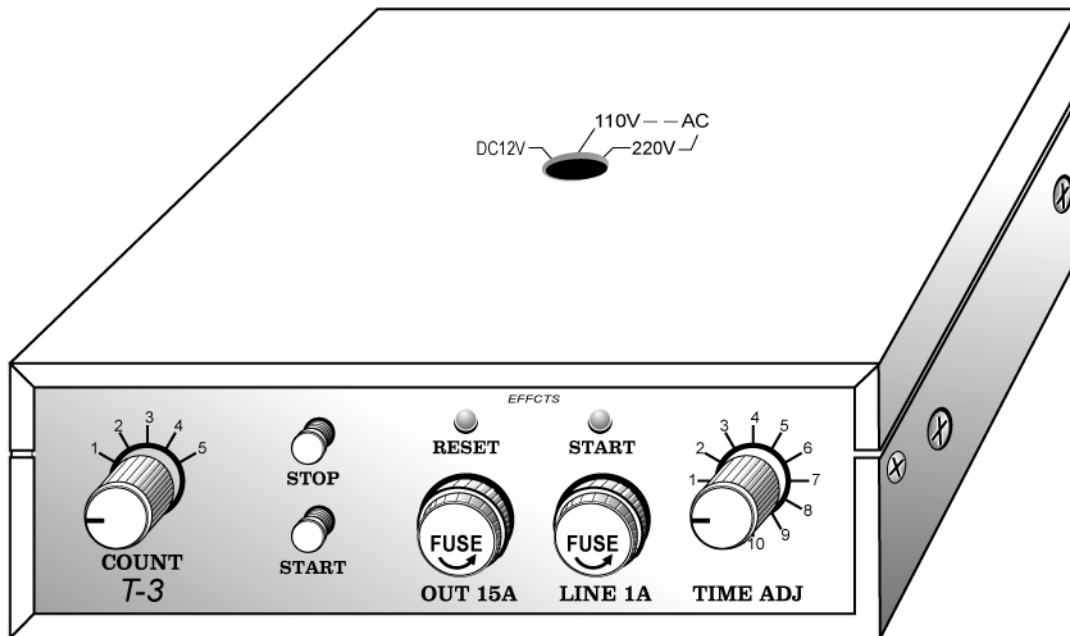
- |                                       |                                     |                          |
|---------------------------------------|-------------------------------------|--------------------------|
| 1. Acrilan cover#1                    | 10. Fixer                           | s1~s5. Sticker           |
| 2. Light#1                            | 11. Wheel                           | s6. Warning sign sticker |
| 3. Steering wheel#2                   | 12. Control door(key#1)             |                          |
| 4. Electronic coin machine(key#1)     | 13. Double frame                    |                          |
| 5. Coin box(key#2)                    | 14. Music box                       |                          |
| 6. Maintenance door-medium(key#1)     | 15. Controller                      |                          |
| 7. Light#2                            | 16. Base of cloud shape             |                          |
| 8. Light#3                            | 17. Ladder                          |                          |
| 9. Power-plug locates at rear of base | 18. Handlebar#1                     |                          |
|                                       | 19. FRP model of F-16 Fighter Plane |                          |

**Double Frame Wire Manual**



size: W188mm x L78mm x H113mm

**Controller Operating Manual**



**Count:** Adjust the coin from 1 coin to 5 coins

**Stop Button:** For Checking machine without insert coin to "STOP" the machine

**Start Button:** For Checking machine without insert coin to "START" the machine

**Reset:** Red lighting when power connect

**Start:** Green lighting when machine start to working

**1~12 play Time adjust:**

- |                             |                             |
|-----------------------------|-----------------------------|
| 1. 1 Minute and 30 Seconds  | 7. 3 Minutes and 30 Seconds |
| 2. 1 Minute and 40 Seconds  | 8. 4 Minutes                |
| 3. 1 Minute and 50 Seconds  | 9. 4 Minutes and 30 Seconds |
| 4. 2 Minutes                | 10. 5 Minutes               |
| 5. 2 Minutes and 30 Seconds | 11. 10 Seconds for testing  |
| 6. 3 Minutes                | 12. 0                       |

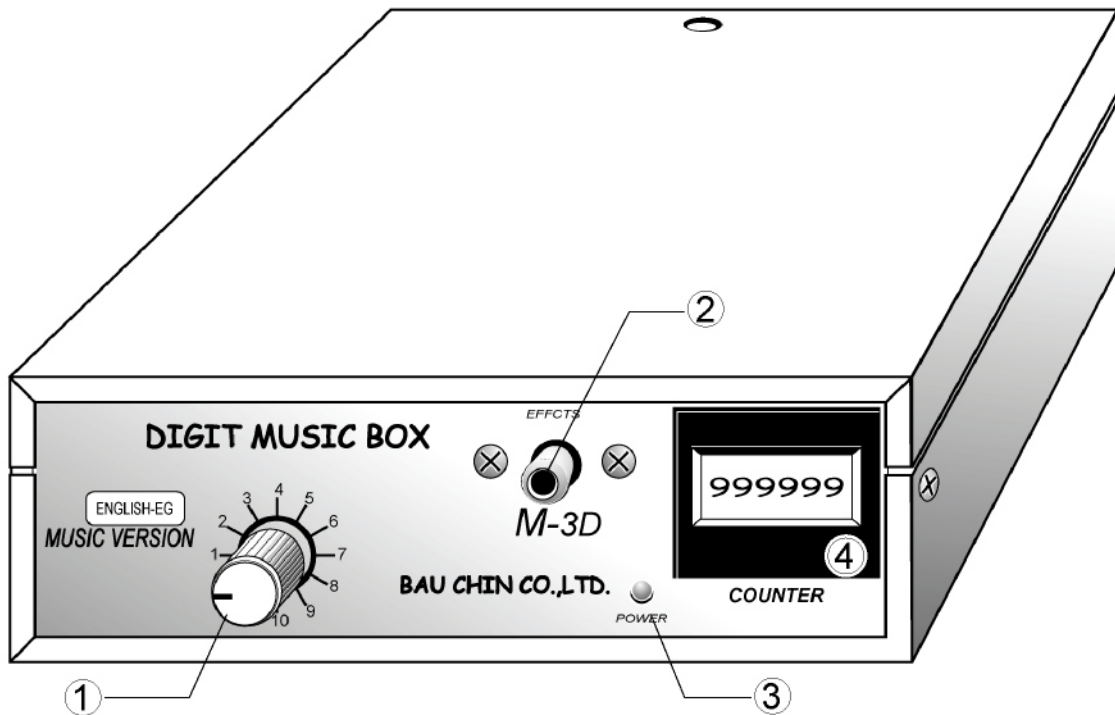


front view

side view

back view

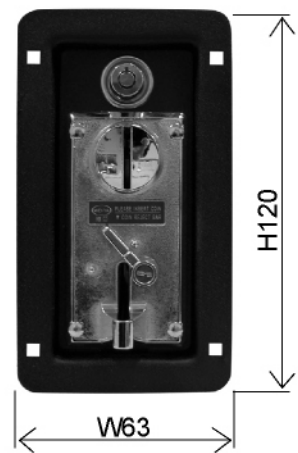
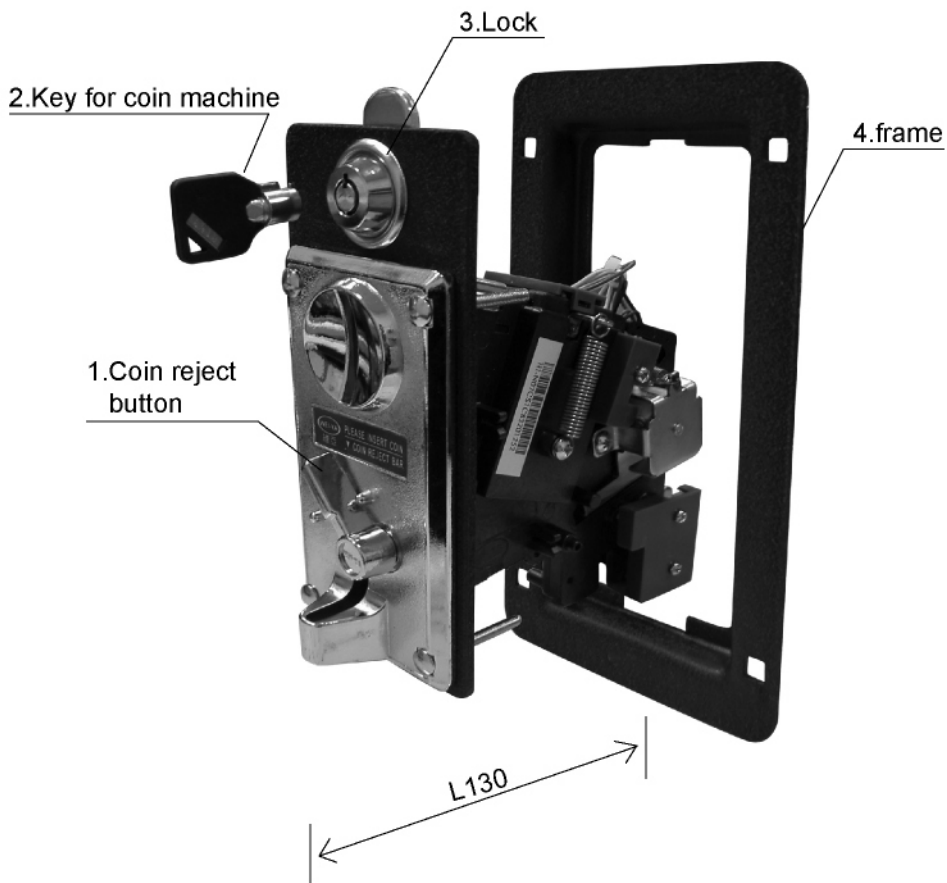
**Music Box Operating Manual**



- 1. **1-12:** Sound volumes adjust
- 2. **Sound button connection**
- 3. **Power light:** When power connect
- 4. **Counter:** Coin Counter
- 5. **Music:** 12 English kiddy songs to repeat



**Electronic Coin Machine Operating Manual**



size:mm

**Electronic Coin Machine Operating Manual**

**DIDGITAL COMPARABLE ELECTRONIC**

INSTALLATION HI-07CS+LED

**STEP1**

Cheng the right coin for use from the clamp.

**STEP2**

Adjust the right insert size for use from the front panel back side.

**STEP3**

Select the right mode: Normal Open/ Normal Close" TIMER SWITCH" for synchronizing your system.

100ms (Slow Speed/ Long Pulse)

50ms (Medium Speed/ Medium Pulse)

30ms (Fast Speed/ Short Pulse)

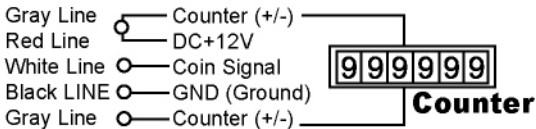
**STEP4**

Adjust VR sensivity tunning

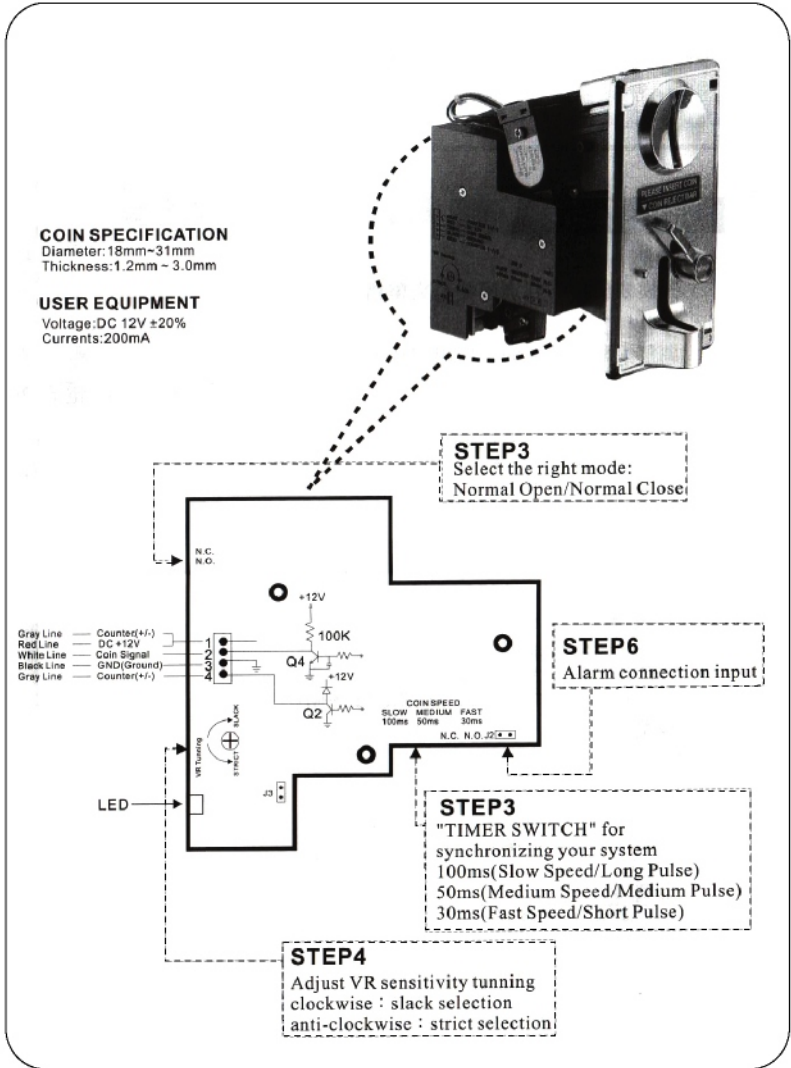
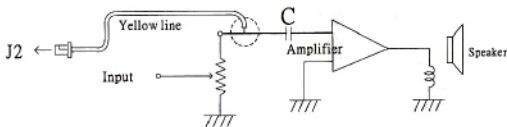
Clockwise: slack selection (LED dark->light)

Anti-clockwise: strict selection (LED light->dark)

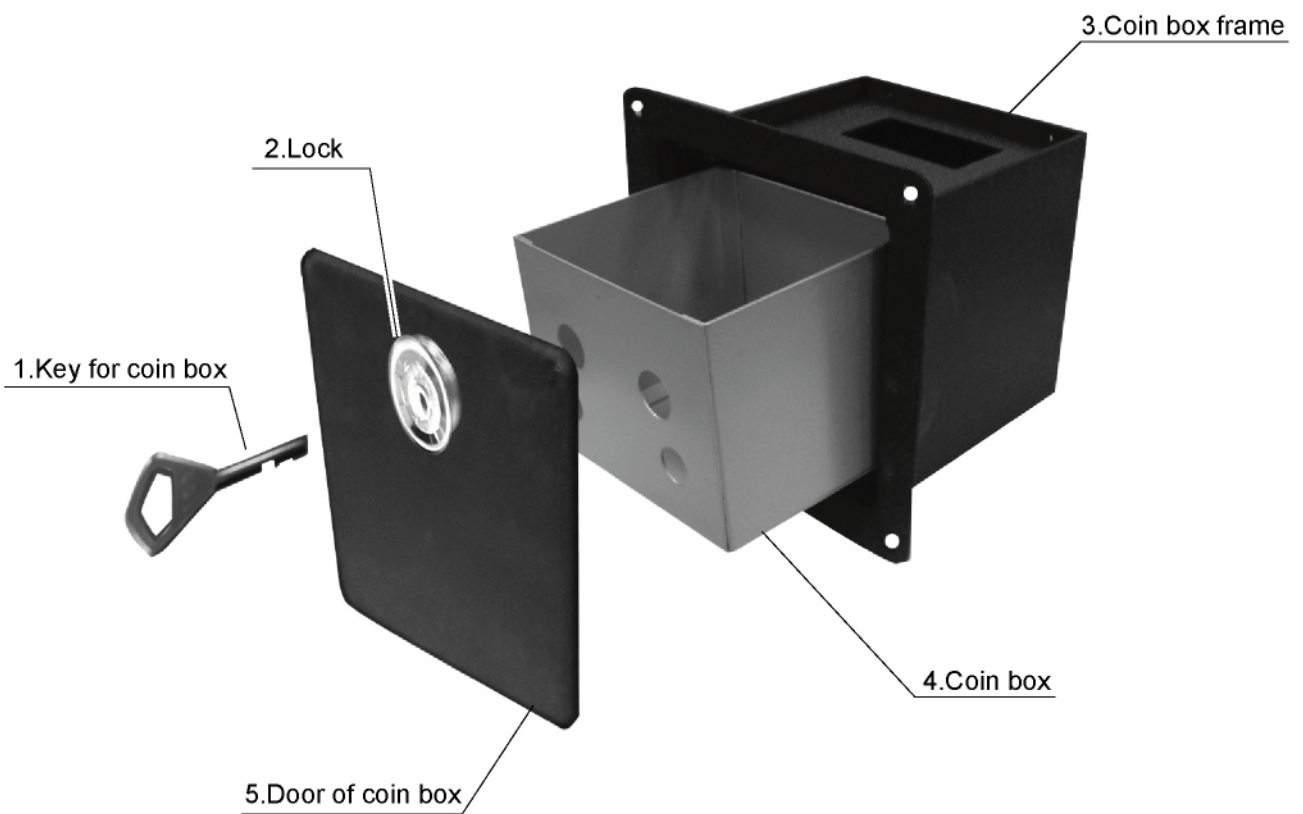
**STEP5**



**STEP6**



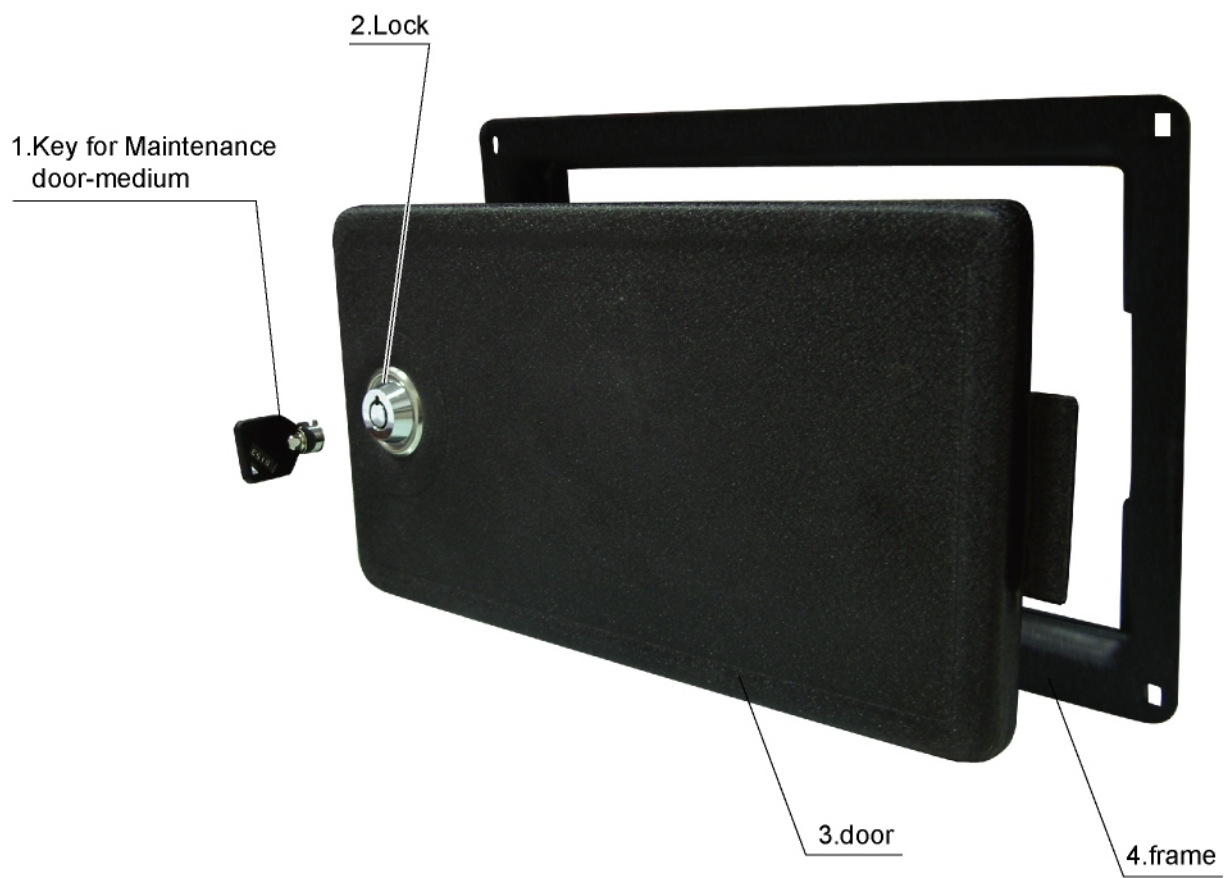
**Coin Box Manual**



size: W175mm x L145mm x H175mm



**Maintenance Door-Medium Manual**



size: W164mm x L20mm x H272mm

Part list - F-16 FIGHTER PLANE FRP Model Assembly

**Item not illustrated**

<b>Item No</b>	<b>Part No</b>	<b>Description</b>	<b>QTY</b>
-	FC-088	F-16 FIGHTER PLANE FRP Model	
1	FC-P0019	Acrilan cover#1	1
2	FC-P0020	Light#1	1
3	FC-P0016	Steering wheel#2	1
4	FC-P0026	Electronic coin machine	1
5	FC-P0007	Coin box	1
6	FC-P0030	Maintenance door-medium	1
7	FC-P0021	Light#2	5
8	FC-P0022	Light#3	2
9	FC-P0032	Power-plug locates at rear of base	1
10	FC-P0024	Fixer	6
11	FC-P0025	Wheel	4
12	FC-S0015	Control door	1
13	FC-P0001	Double frame	1
14	FC-M0003	Music box	1
15	FC-P0003	Controller	1
16	FC-S0014	Base of cloud shape	1
17	FC-S0017	Ladder	1
18	FC-P0023	Handlebar#1	2
19	FC-S0016	FRP model of F-16 Fighter Plane	1
20	FC-P0027	Key#1	1
21	FC-P0028	Key#2	1
s1	FC-ST002	Sticker#1(U.S.A)	2
s2	FC-ST003	Sticker#2(FC-088)	2
s3	FC-ST004	Sticker#3(F-16)	2
s4	FC-ST005	Sticker#4(flag)	2
s5	FC-ST006	Sticker#5(flag)	2
s6	FC-ST001	Warning Sign Sticker	2