

FC-095
Classical Train



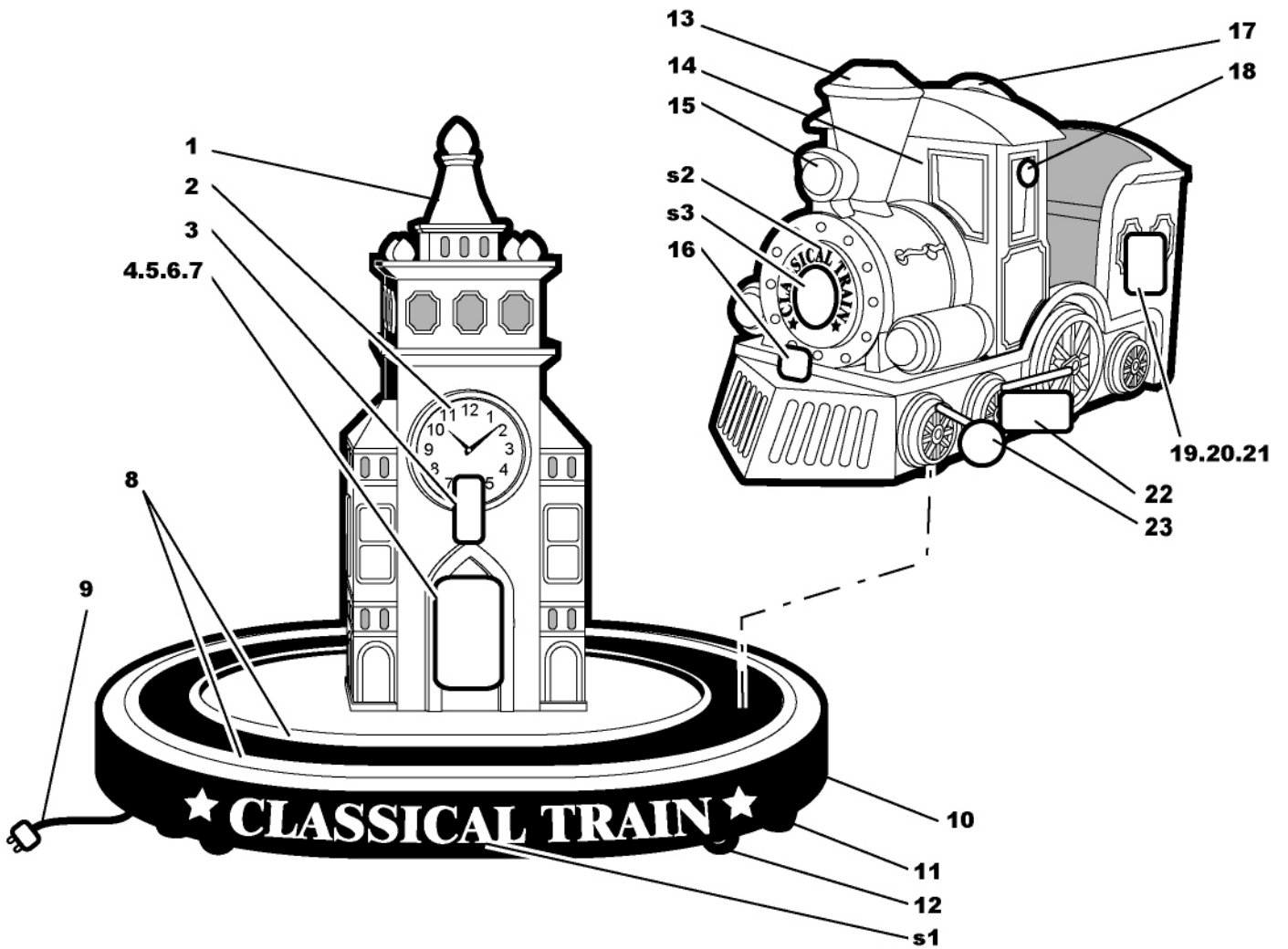
Specification

Dimension L190 x W150 x H150 cm

Weight 120 kgs

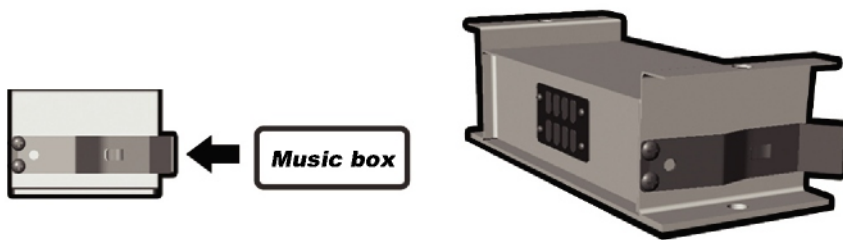
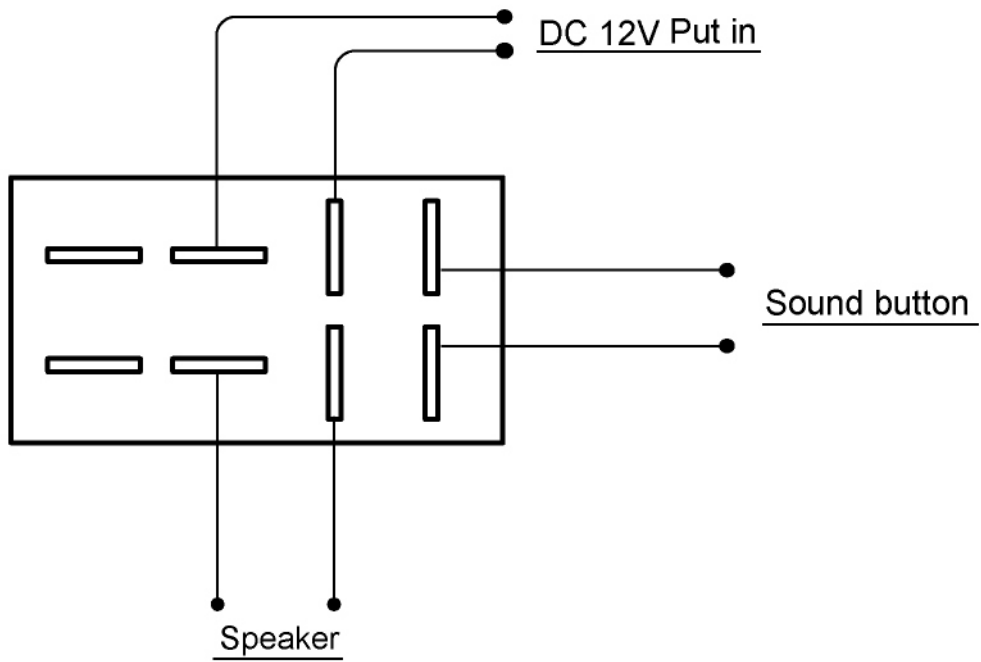
Voltage 110V AC, 60Hz, 3A, Max 6A
220V AC, 50Hz, 3A, Max 6A

Classical Train Detail Manual



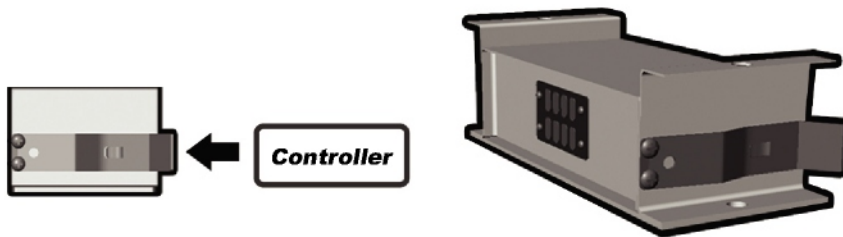
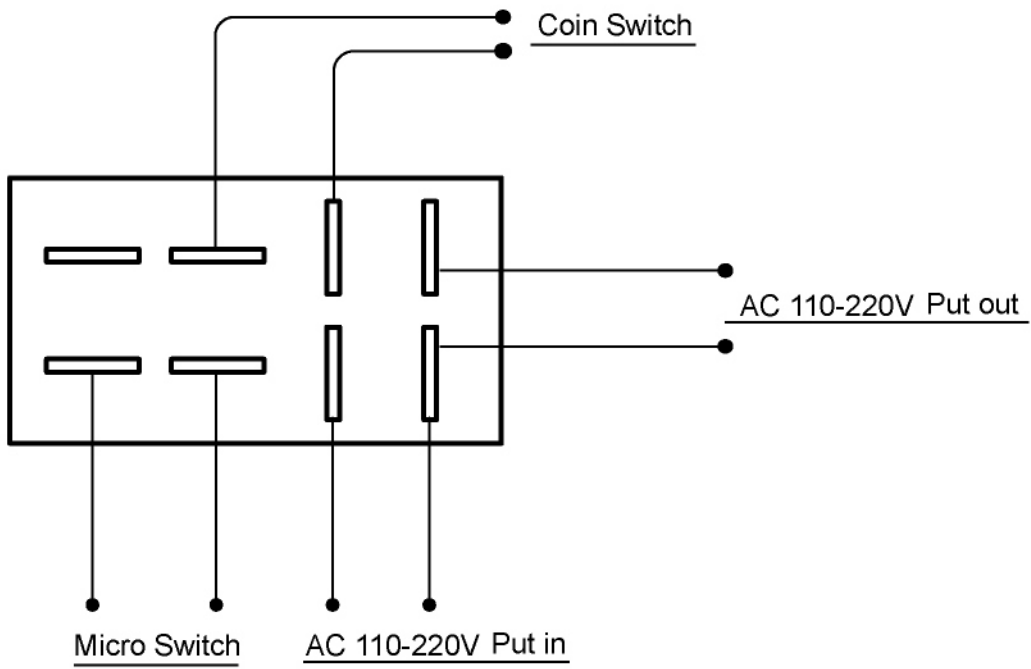
- | | | |
|---------------------------------------|-------------------------------|-----------------------------|
| 1. Train station FRP | 11.Fixer | 21.Music Box – Train Sounds |
| 2. Clock | 12.Wheel | 22.Motor |
| 3. Electronic coin machine(key#1) | 13.Train FRP | 23.Stainless steel wheel |
| 4. Control door(key#1) | 14.Light#11 | s1~s3. Sticker |
| 5. Coin box(key#2) | 15.Light#2 | |
| 6. Single frame for controller | 16.Sensor | |
| 7. Controller | 17.Steering Wheel#2 | |
| 8. Track with AC 12V | 18.Sound button | |
| 9. Power-plug locates at rear of base | 19.Maintenance door-big | |
| 10. FRP base | 20.Single frame for music box | |

Single Frame For Music Box Wire Manual



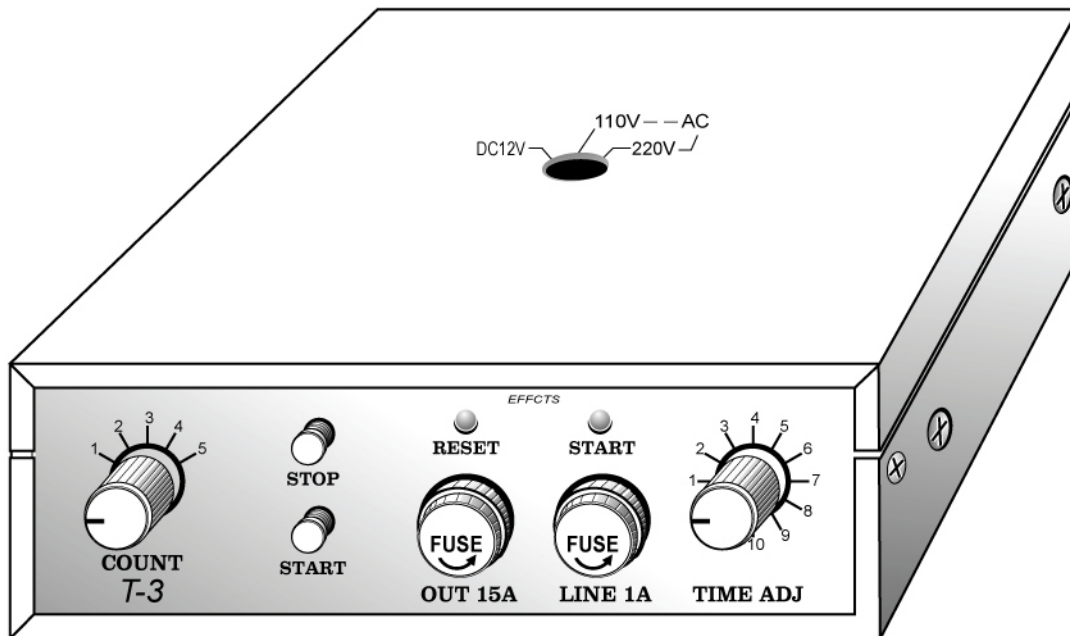
size: W188mm x L78mm x H57mm

Single Frame For Controller Wire Manual



size: W188mm x L78mm x H57mm

Controller Operating Manual



Count: Adjust the coin from 1 coin to 5 coins

Stop Button: For Checking machine without insert coin to "STOP" the machine

Start Button: For Checking machine without insert coin to "START" the machine

Reset: Red lighting when power connect

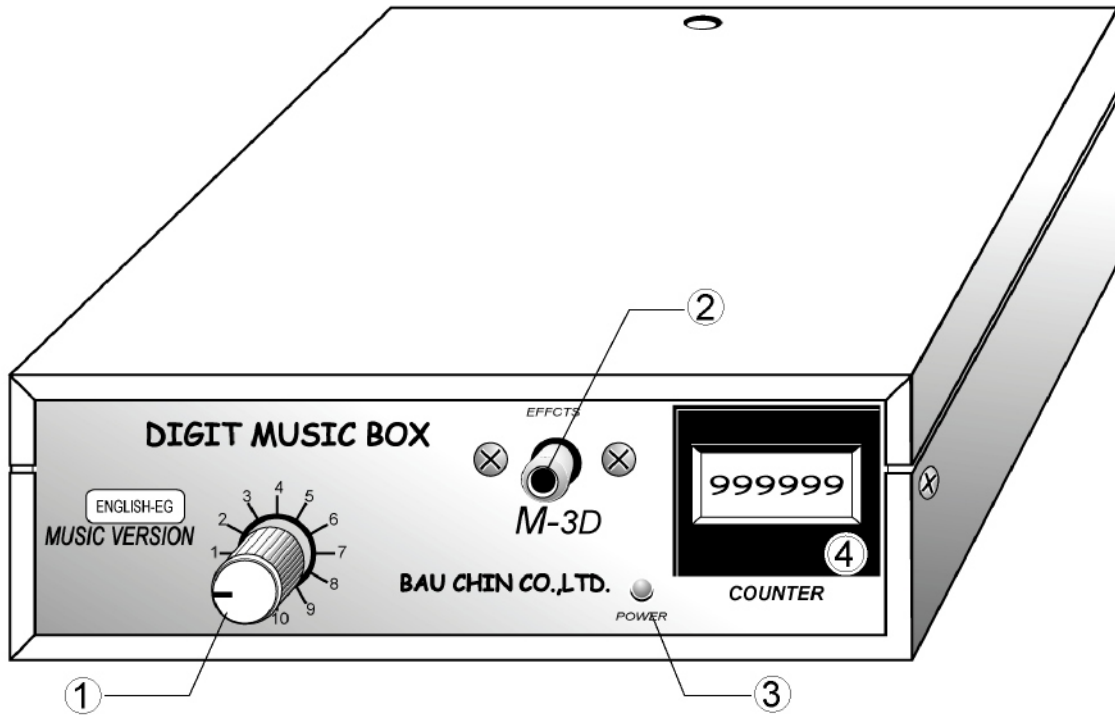
Start: Green lighting when machine start to working

1~12 play Time adjust:

- | | |
|-----------------------------|-----------------------------|
| 1. 1 Minute and 30 Seconds | 7. 3 Minutes and 30 Seconds |
| 2. 1 Minute and 40 Seconds | 8. 4 Minutes |
| 3. 1 Minute and 50 Seconds | 9. 4 Minutes and 30 Seconds |
| 4. 2 Minutes | 10. 5 Minutes |
| 5. 2 Minutes and 30 Seconds | 11. 10 Seconds for testing |
| 6. 3 Minutes | 12. 0 |



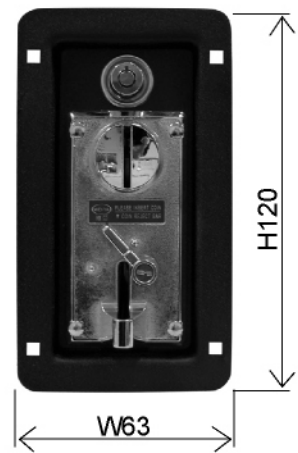
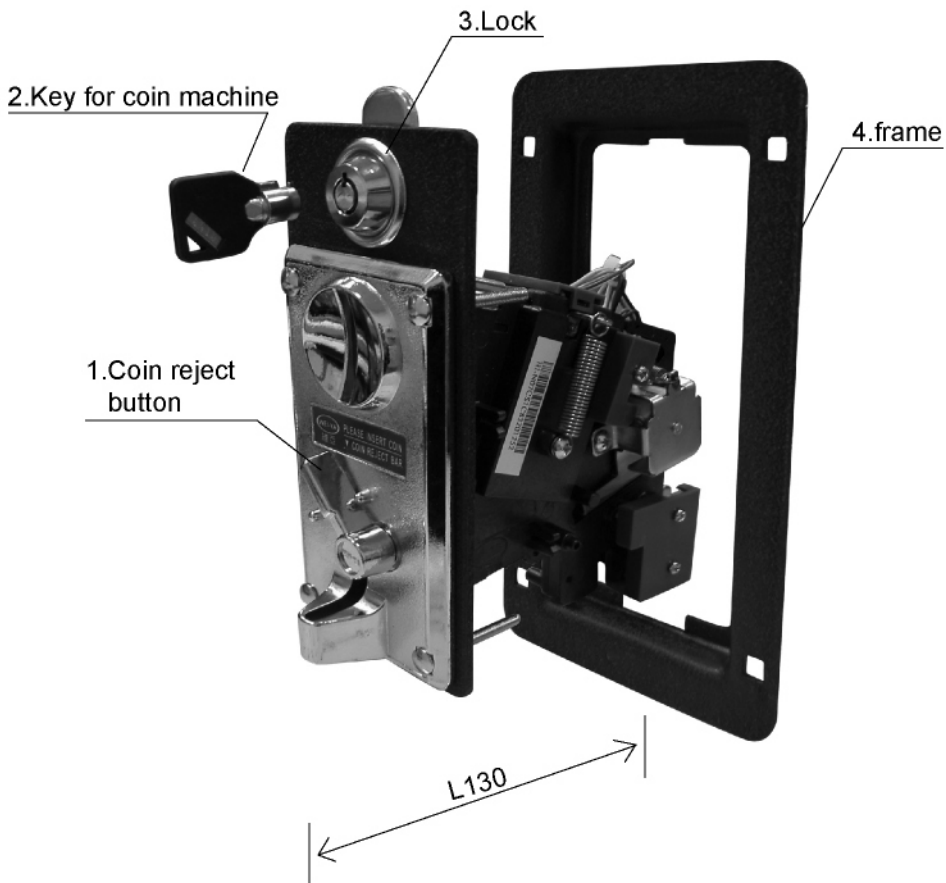
Music Box Operating Manual



1. **1-12:** Sound volumes adjust
2. **Sound bottom connection**
3. **Power light:** When power connect
4. **Counter:** Coin Counter
5. **Music:** 12 English kiddy songs to repeat



Electronic Coin Machine Operating Manual



size:mm

Electronic Coin Machine Operating Manual

DIDGITAL COMPARABLE ELECTRONIC

INSTALLATION HI-07CS+LED

STEP1

Cheng the right coin for use from the clamp.

STEP2

Adjust the right insert size for use from the front panel back side.

STEP3

Select the right mode: Normal Open/ Normal Close" TIMER SWITCH" for synchronizing your system.

100ms (Slow Speed/ Long Pulse)

50ms (Medium Speed/ Medium Pulse)

30ms (Fast Speed/ Short Pulse)

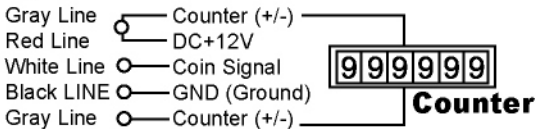
STEP4

Adjust VR sensivity tuning

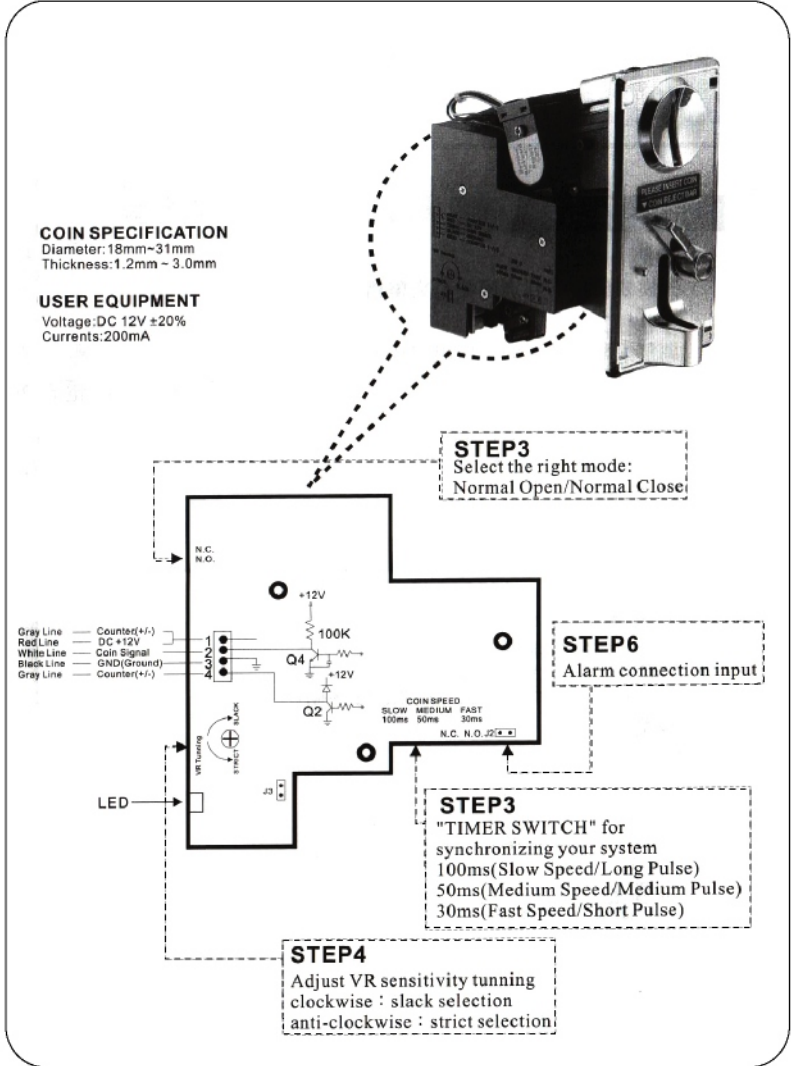
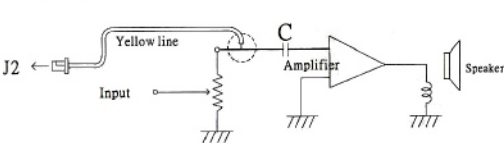
Clockwise: slack selection (LED dark->light)

Anti-clockwise: strict selection (LED light->dark)

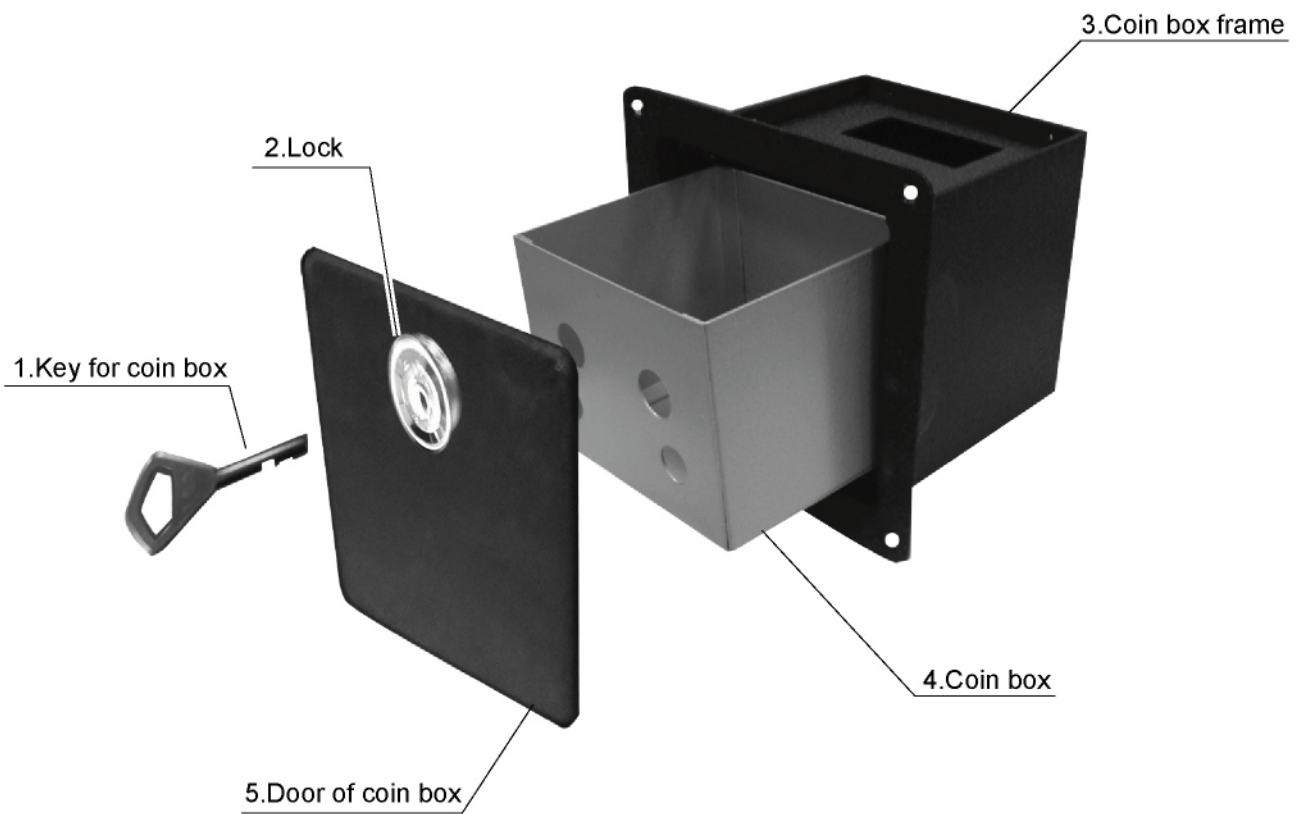
STEP5



STEP6

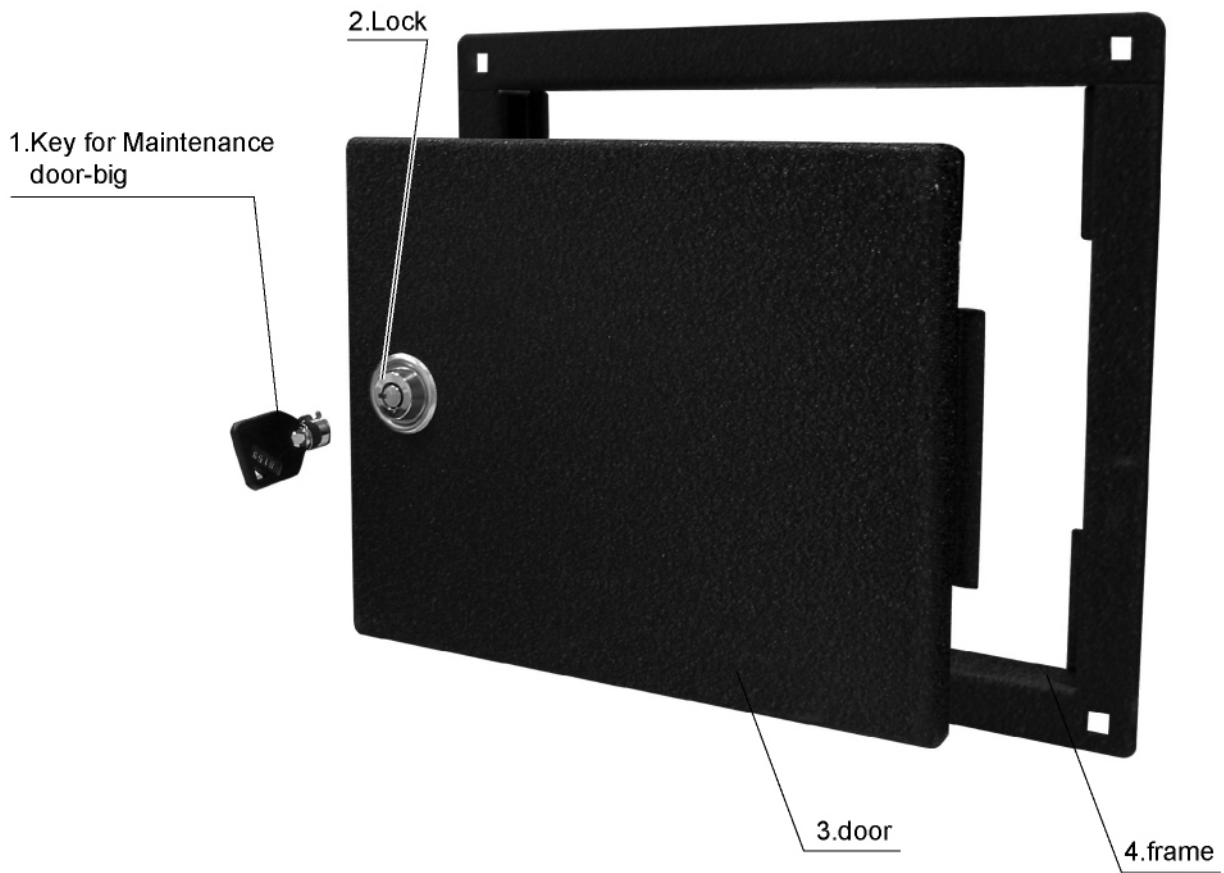


Coin Box Manual



size: W175mm x L145mm x H175mm

Maintenance Door-Big Manual



size: W267mm x L20mm x H232mm

Part list - Classical Train FRP Model Assembly

Item not illustrated

Item No	Part No	Description	QTY
-	FM-001	Classical Train FRP Model	
1	FC-S0058	Train station FRP	1
2	FC-P0100	Clock	1
3	FC-P0026	Electronic coin machine	1
4	FC-S0059	Control door	1
5	FC-P0007	Coin box	1
6	FC-P0098	Single frame for controller	1
7	FC-P0003	Controller	1
8	FC-P0101	Track with AC 12V	1
9	FC-P0032	Power-plug locates at rear of base	1
10	FC-S0060	FRP base	1
11	FC-P0024	Fixer	4
12	FC-P0025	Wheel	4
13	FC-S0061	Train FRP	1
14	FC-P0082	Light#11	1
15	FC-P0021	Light#2	3
16	FC-P0008	Sensor	1
17	FC-P0016	Steering Wheel#2	1
18	FC-P0054	Sound button	1
19	FC-P0029	Maintenance door-big	1
20	FC-P0097	Single frame for music box	1
21	FC-M0002	Music Box – Train Sounds	1
22	FC-P0009	Motor	1
23	FC-P0096	Stainless steel wheel	1
24	FC-P0027	Key#1	1
25	FC-P0028	Key#2	1
s1	FC-ST017	Sticker#1(Classical Train-big)	2
s2	FC-ST018	Sticker#2(Classical Train-small)	1
s3	FC-ST007	Sticker#3(FYC Sticker)	1