



Top Gun Maverick

Dual 65" LCDs with Motion Platform

Setup and Operation Service Manual

Revision TGM-1.0-02.10.25



Play Mechanix™



Top Gun Maverick TM, ® & © 2025 Paramount Pictures. All Rights Reserved.

Top Gun Maverick Arcade Game Software Copyright 2025 Play Mechanix™ Inc.

This software is based in part on the work of the Independent JPEG Group.

This product includes software developed by the OpenSSL Project for use in the OpenSSL Toolkit. (<http://www.openssl.org/>)

This product includes cryptographic software written by Eric Young (ey@cryptsoft.com)

This product includes audio software developed by FMOD Studio. (<https://www.fmod.com/>)

Table of Contents

Safety.....	3
Product Specifications.....	5
Fuse Replacement Guide.....	6
Required Tools.....	6
Cabinet Assembly.....	6
Verify Cabinet Functionality.....	14
Game Software Setup.....	14
Card Reader Installation/Setup.....	15
Maintenance.....	16
Troubleshooting.....	17
Parts.....	19
Contact Information.....	39
System Diagrams.....	39



Safety

OPERATION

Before operating game, read this manual. Failure to properly install and operate this game could result in malfunction or accident. Operate the game in accordance with the manual.

TRANSPORTING

Cabinet is very heavy and contains fragile components. Use appropriate care when moving or transporting cabinet. Avoid rough handling.

HANDLING COMPONENTS

Many components are extremely sensitive to handling, environmental and Electrostatic Discharge (ESD) events—especially the computer. Do not handle it roughly. Before servicing, call your distributor and inquire about the PC warranty. Use proper ESD procedures when servicing. Protect components from harmful environmental conditions, such as extreme temperatures, excessive moisture or other damaging effects.

DISCONNECT POWER

Always turn off power and unplug the units before servicing or making adjustments, unless otherwise instructed. Installing or repairing components while power is on can damage the components and void the warranty.

GROUNDING

Avoid electrical shock. Do not plug in AC power until you have inspected and properly grounded the unit. Only plug into a grounded, three-wire outlet. Do not use a “cheater” plug or cut off the ground pin on the line cord.

ELECTRICAL SHOCKS

There is no isolation transformer in the cabinet. Disconnect AC power before servicing. However, be aware that lethal voltages can remain in the electronic components even when AC power is disconnected. Use extreme caution when servicing. Verify that there is a working ground connection. If the unit sustains water damage, cease using it immediately and unplug AC power.

MONITOR

The monitor contains no user serviceable parts. Do not attempt to service the monitor.

POWER CORD

If the power cord is damaged or lost, replace it with an identical cord as supplied by the manufacturer or an authorized service agent.

SURGE SUPPRESSOR

It is recommended that you plug your game’s power cord into a surge suppressor to help protect from power surges that may damage sensitive electronic components.

WATER AND OTHER LIQUID

Do not install game near sprinkler or other water jet sources. Do not use water jet to clean game. Keep minimum clearance behind game and wall for proper ventilation but also prevent access of liquid from spills and sprays from entering ventilation holes.

Top Gun Maverick Arcade Service Manual

CONNECTORS

Ensure all connectors mate properly. If connectors do not slip in easily, do not force them. Connectors are often keyed and only connect one way. Check for correct orientation.

COMPUTER

The computer contains sensitive components, including a hard drive. Do not handle it roughly. Call your distributor before servicing its internal components. Ask about warranty information as it relates to the PC.

Cycle AC power on or off with the cabinet power switch.

A dongle has been inserted into one of the USB ports. This is required for game play.

Do not remove the dongle except for troubleshooting purposes.

TEMPERED GLASS WARNING

When handling the LCD display glass cover take special care and set the glass down softly on a flat surface free of debris. The edge of the glass is sensitive to hard impact. Shattered glass from the monitor can travel long distances and cause bodily injury. Use proper procedures when handling broken materials.

HAZARD TO EPILEPTICS

A small portion of the population has an epileptic condition that may cause seizures. Affected persons experience seizure while watching some television pictures or playing certain video games. People who have not had seizures may still have an undetected epileptic condition. If anyone in your family has experienced epilepsy symptoms (seizures or loss of awareness), consult your physical before using video games. While children play video games, a parent should observe. Be alert to the following symptoms: dizziness, altered vision, eye or muscle twitching, involuntary movements, loss of awareness, disorientation or convulsions. If you or your child experiences these symptoms, discontinue use immediately and consult your physician.

MANUAL

Keep this manual available and ready for use. If the game fails to function properly, turn off the machine and unplug the AC line cord. Contact your local distributor. You may not reproduce this document or any of its contents without written authorization from Raw Thrills™, Inc. or PlayMechanix™ Inc.

SPECIFICATIONS

For reasons such as performance, this product's specifications may change without notice. Federal patent, copyright and other intellectual property laws protect the content, devices and design of the game and its equipment.

Product Specifications

Electrical Power

United States, Canada (ETL)
 Voltage: 120VAC, 60 Hz
 Operating AC Current: 20 Amps

International (CE)
 Voltage: 230VAC, 50/60 Hz
 Operating AC Current: 10 Amps

Temperature

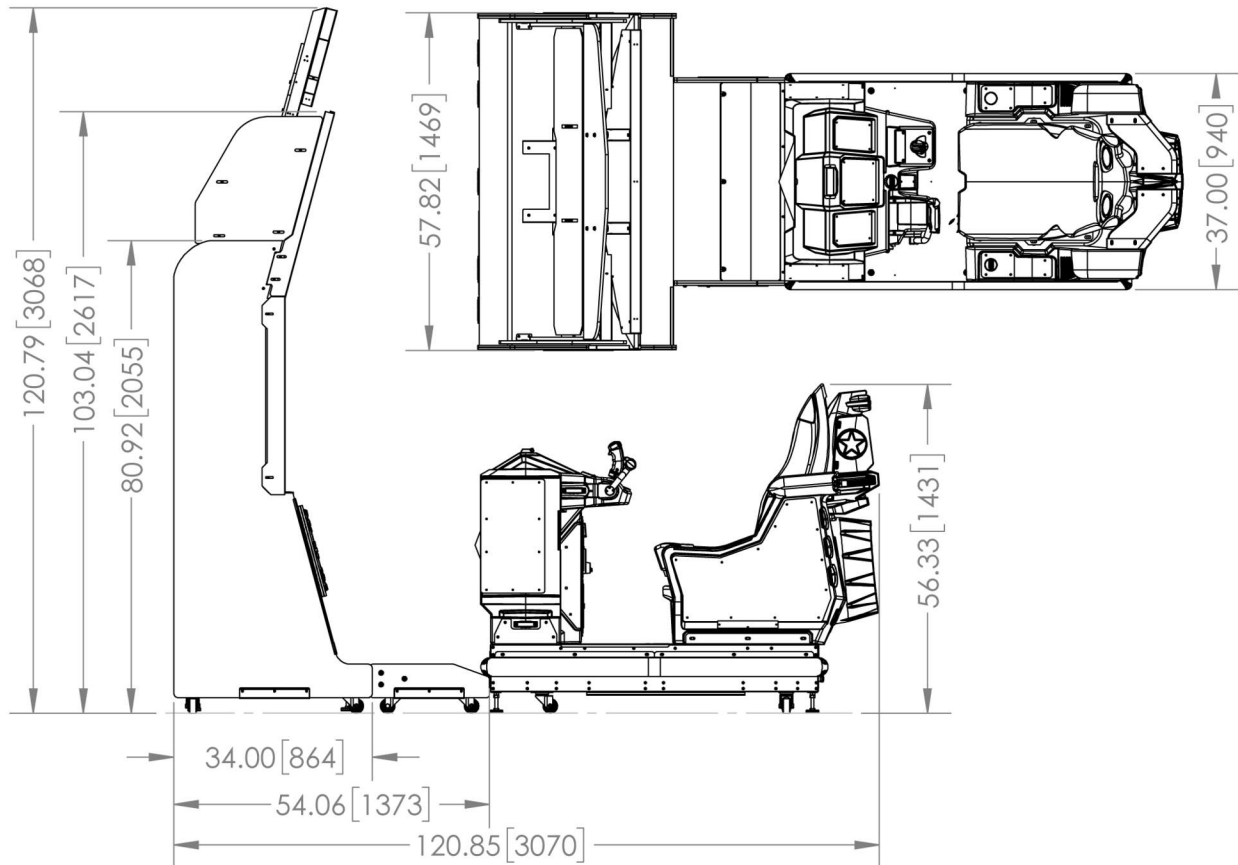
50° to 104° Fahrenheit (10° to 40° Celsius)

Humidity

Must not exceed 95% relative humidity

Cabinet Dimensions

Component	Height	Width	Depth
Assembled	120.79" (3068 mm)	57.82" (1469 mm)	120.85" (3070 mm)



Fuse Replacement Guide

NOTE: FOR CONTINUED PROTECTION AGAINST FIRE AND ELECTRICAL DAMAGE,
USE ONLY SPECIFIED FUSE TYPE AND VALUE.

8 fuses (seven 5A fast, one 10A fast):

Please see unit for specified fuse labeling. Abbreviations:

5A 250V	5A, 250VAC Fast Acting 3AG Fuse	Littlefuse 0312005.MXP (or equivalent)
10A 250V	10A, 250VAC Fast Acting 3AG Fuse	Littlefuse 0312010.MXP (or equivalent)

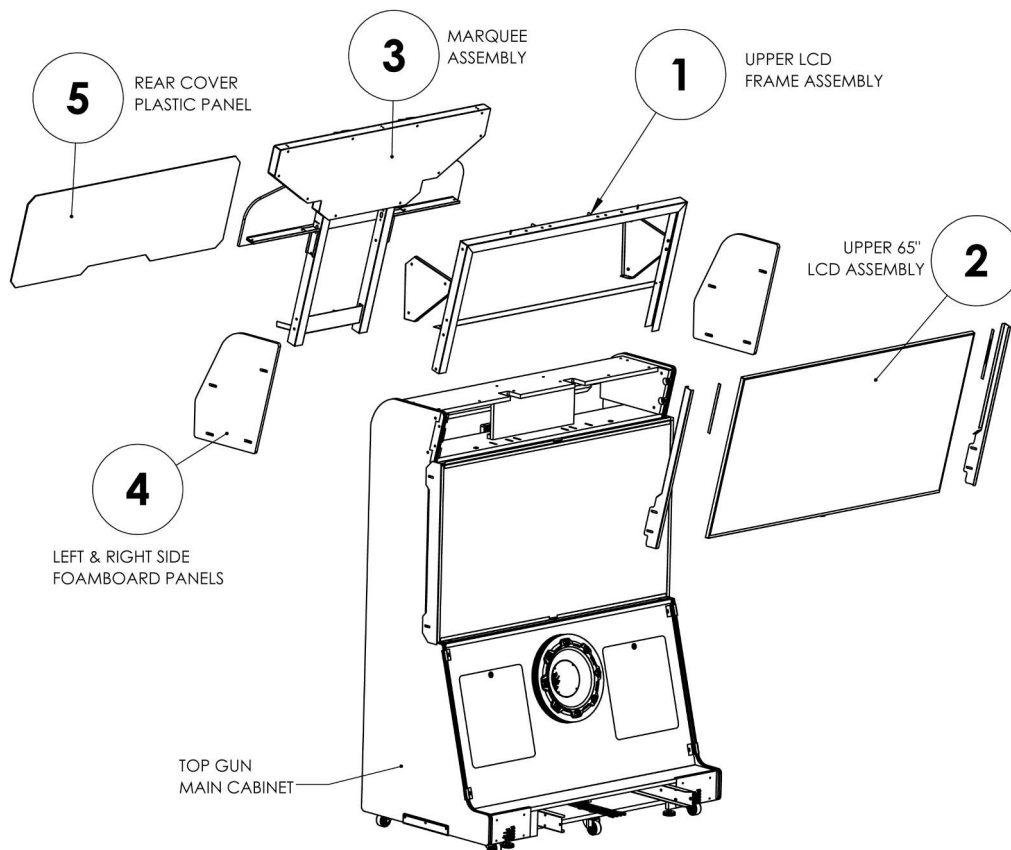
Required Tools

The following tools are needed to complete cabinet assembly. At least two people are recommended.

- (2) 6' ladders
- Drill or multi-bit screwdriver
- Socket set
- #2 Phillips bit
- T-27 Torx security bit

Cabinet Assembly

1. Main Cabinet Assembly Overview

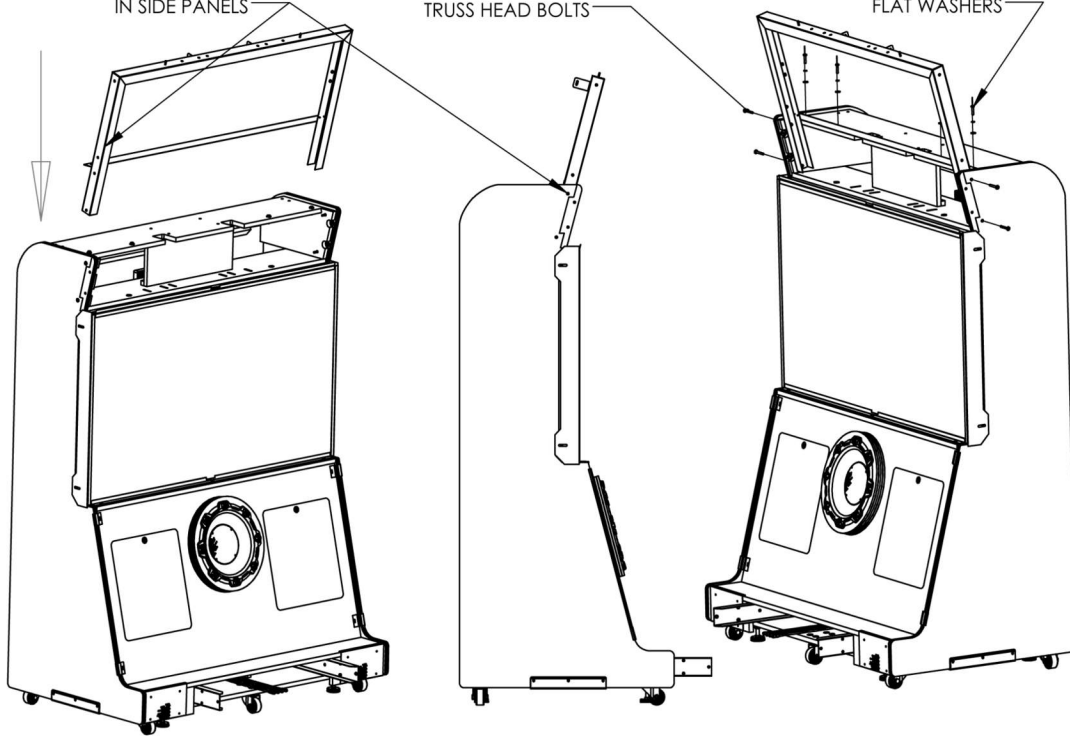


2. Upper LCD Frame Assembly Installation

POSITION LCD FRAME ASSEMBLY
ALIGNING W/ HOLES
IN SIDE PANELS

INSTALL (4X) 1/4-20 X 2.00"LG
TRUSS HEAD BOLTS

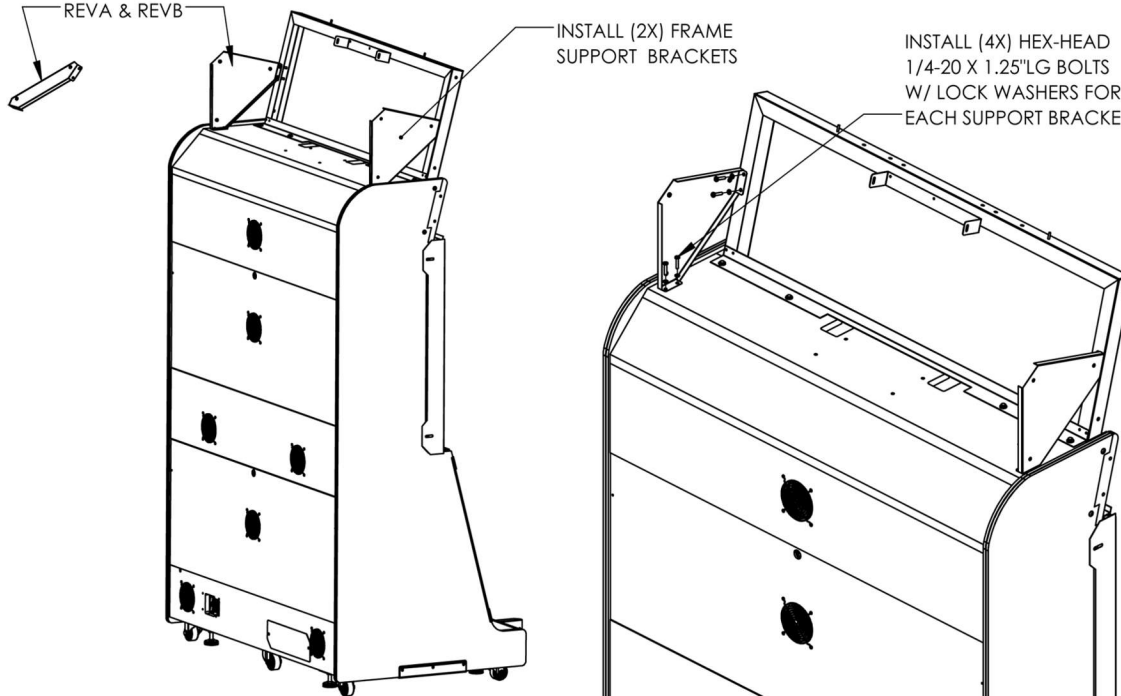
INSTALL (4X) HEX-HEAD
1/4-20 X 1.25"LG BOLTS
W/ LOCK WASHERS &
FLAT WASHERS



2 VERSIONS OF
SUPPORT BRACKET
REVA & REV B

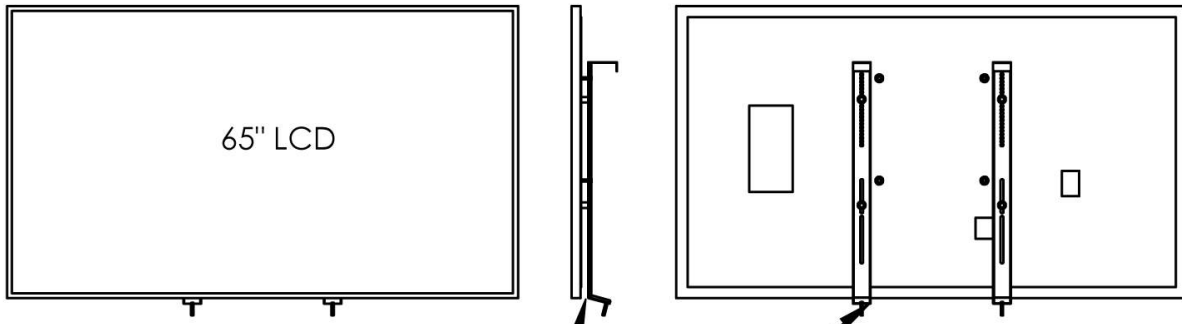
INSTALL (2X) FRAME
SUPPORT BRACKETS

INSTALL (4X) HEX-HEAD
1/4-20 X 1.25"LG BOLTS
W/ LOCK WASHERS FOR
EACH SUPPORT BRACKET



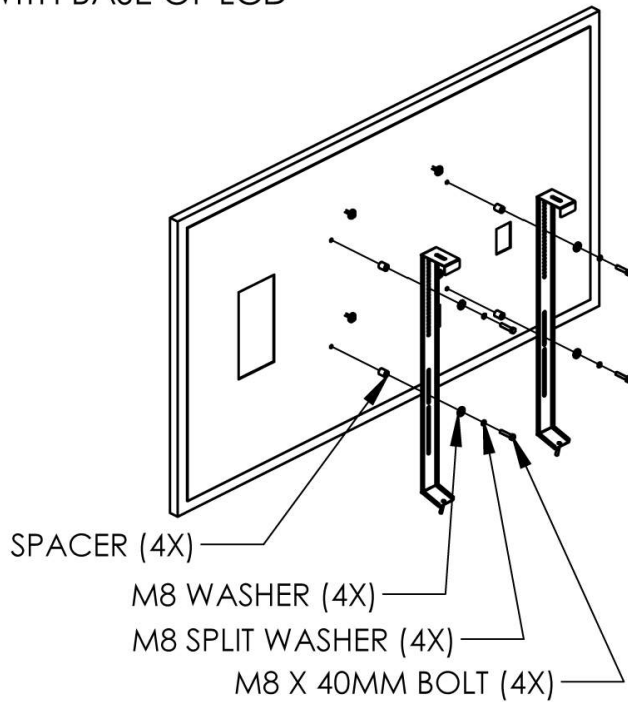
3. Prepare Upper 65" LCD Assembly

ASSEMBLE UPPER 65" LCD BY ATTACHING
REAR BRACKETS WITH SUPPLIED HARDWARE KIT

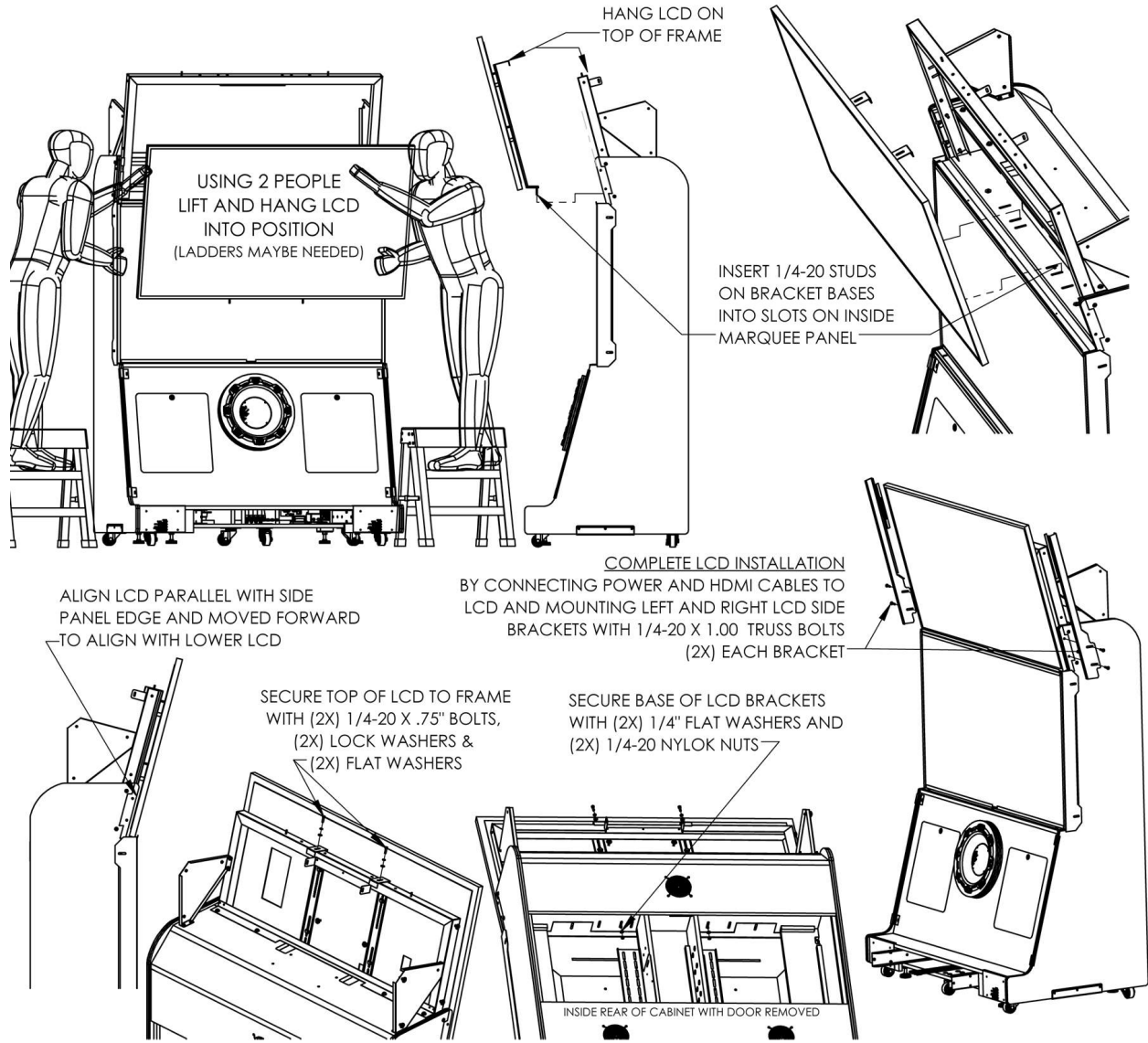


IMPORTANT
ALIGN BOTTOM CORNER OF
BRACKET WITH BASE OF LCD

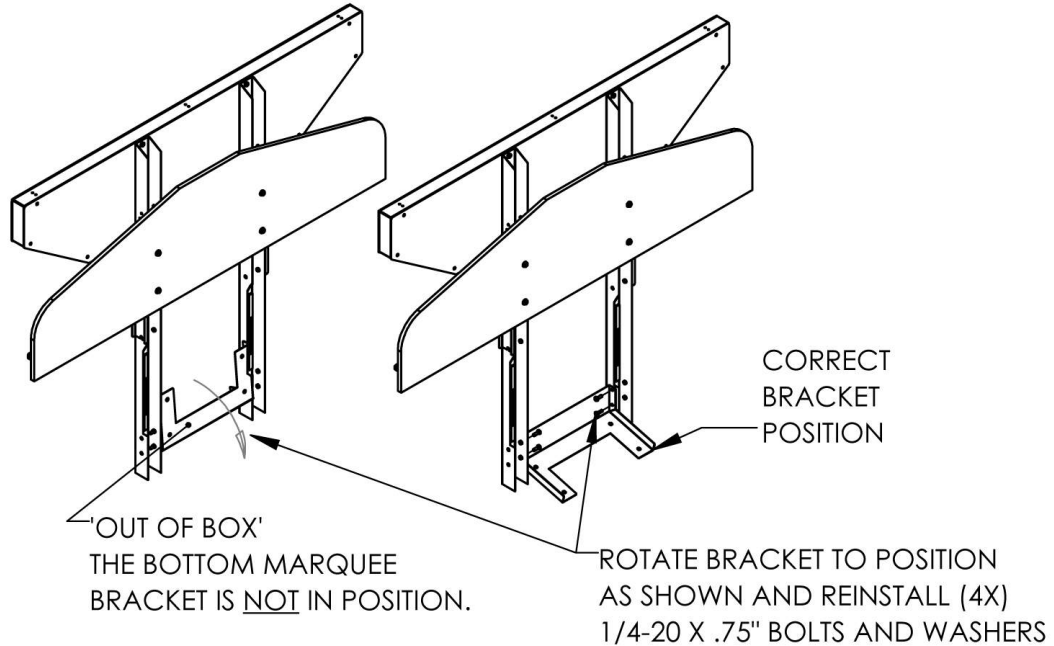
UPPER LCD BRACKET (2X)



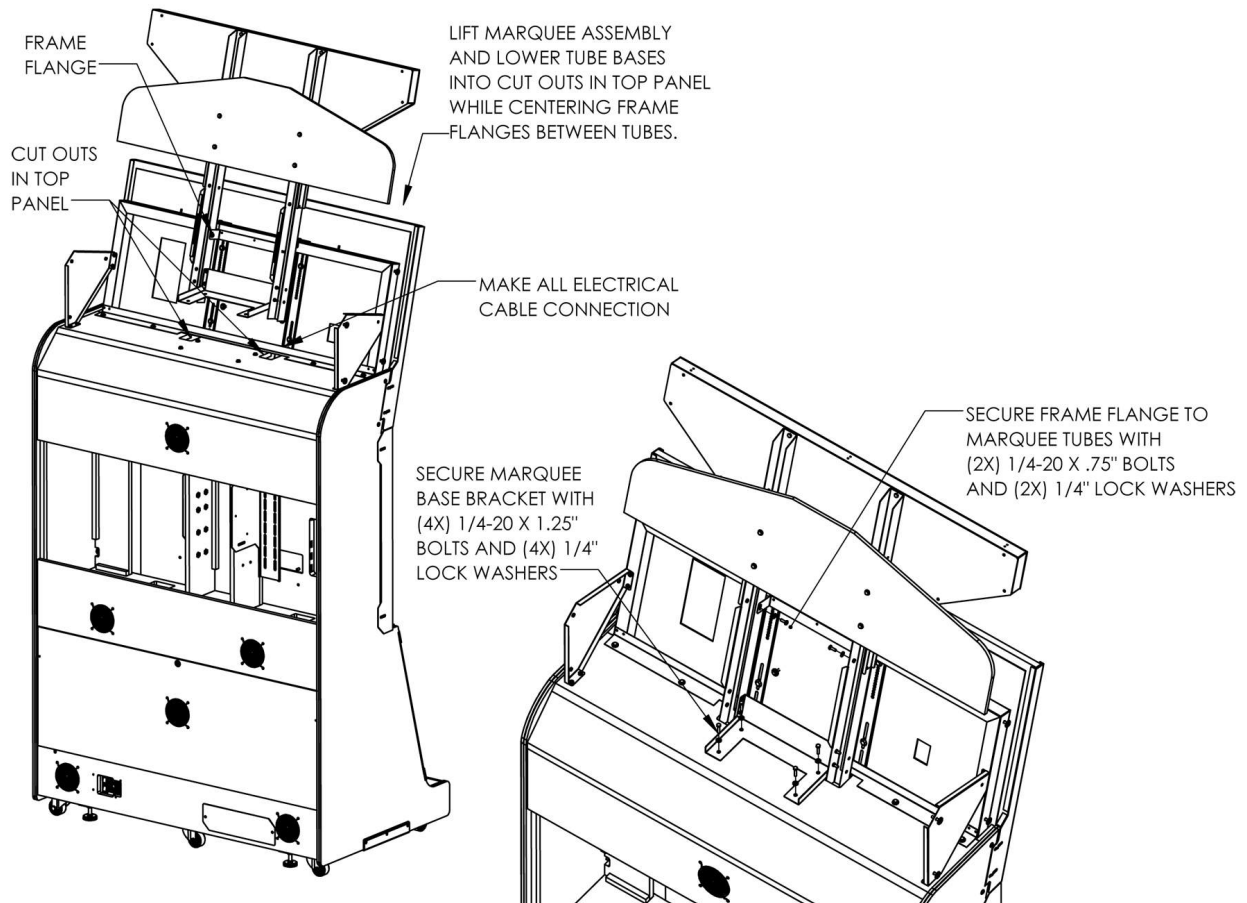
4. Attach Upper LCD Assembly to Frame



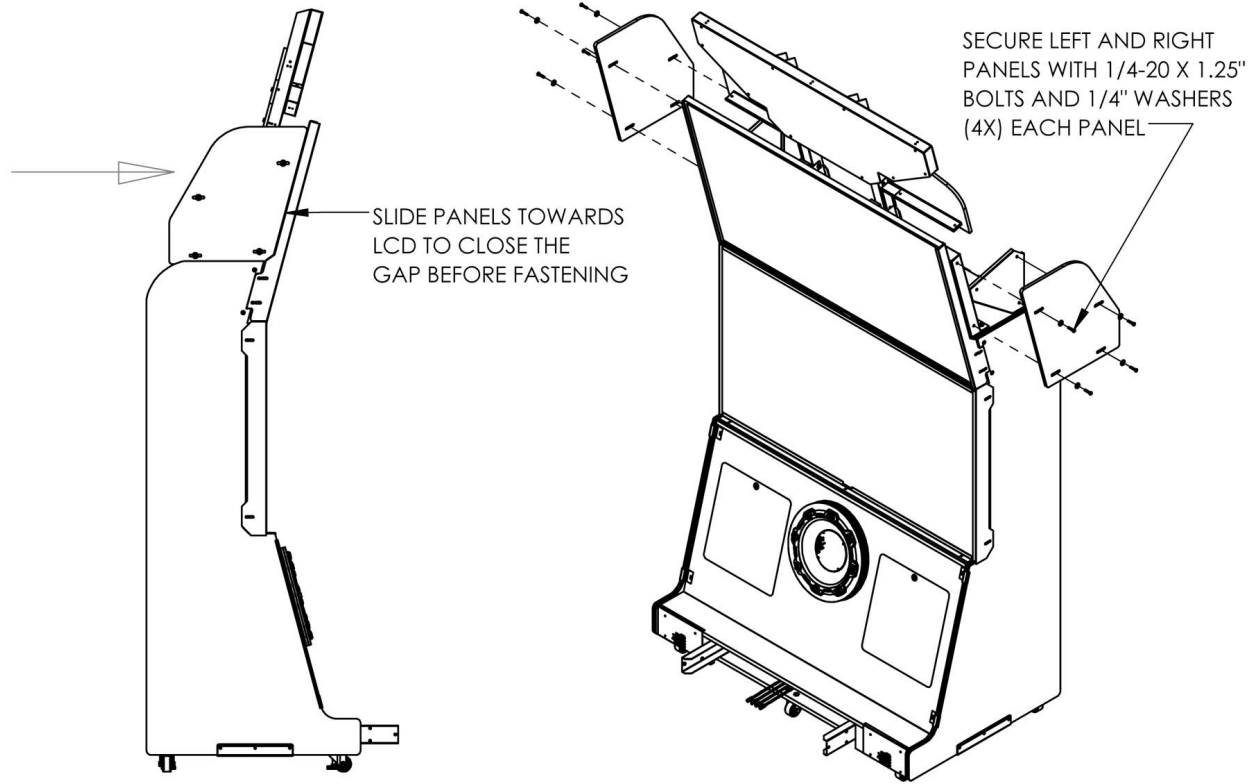
5. Prepare Marquee Assembly



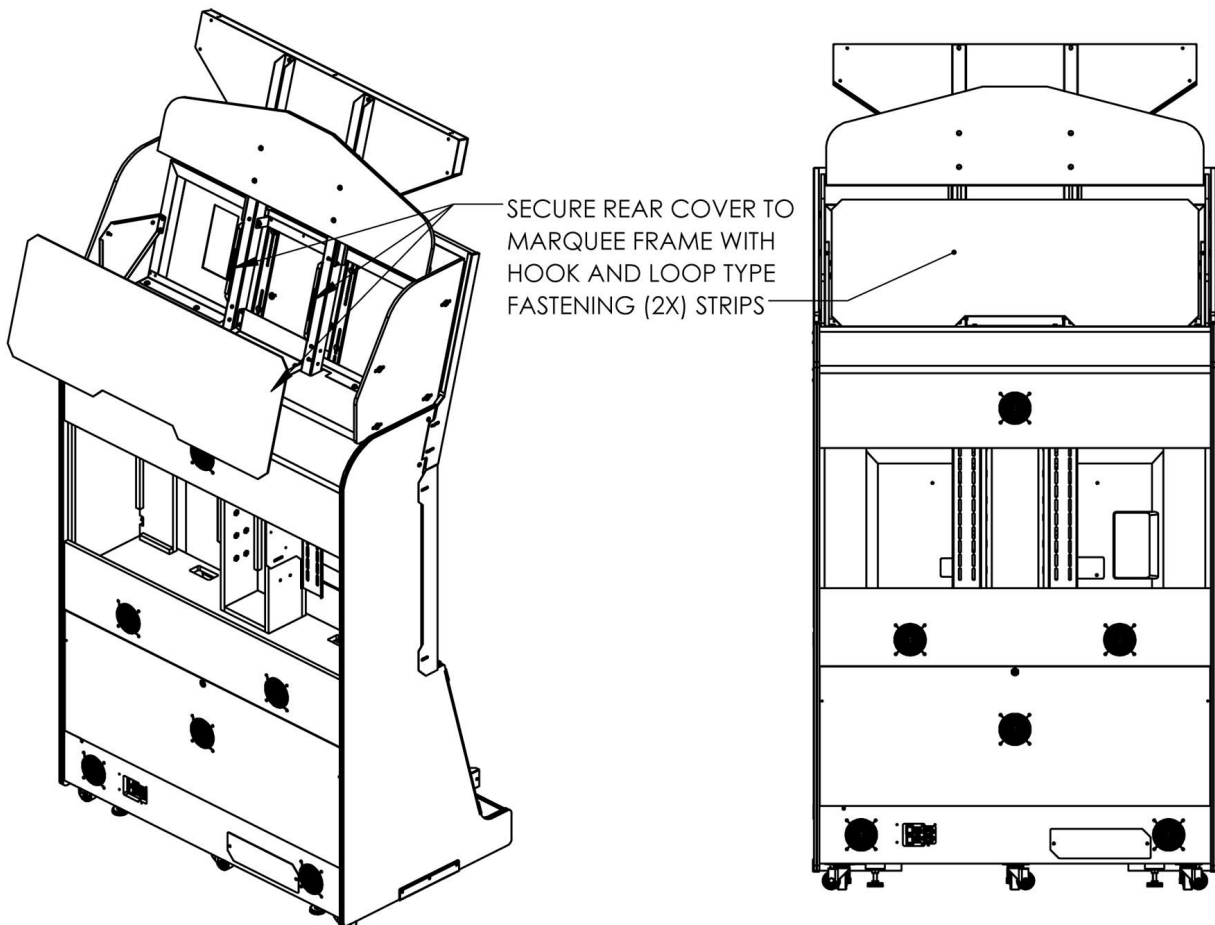
6. Attach Marquee Assembly to Main Cabinet Assembly



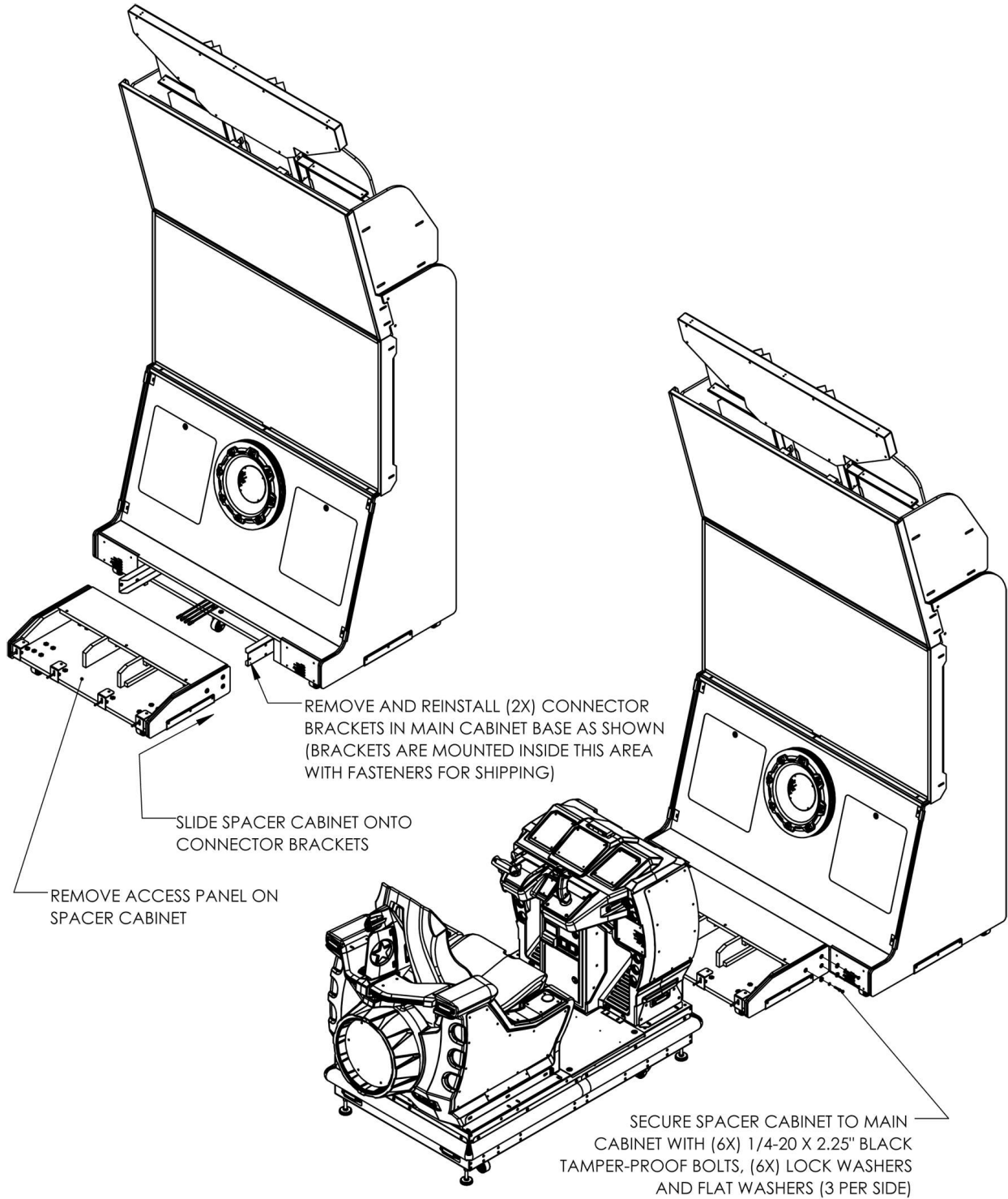
7. Attach Foam-board Panels to Main Cabinet Assembly



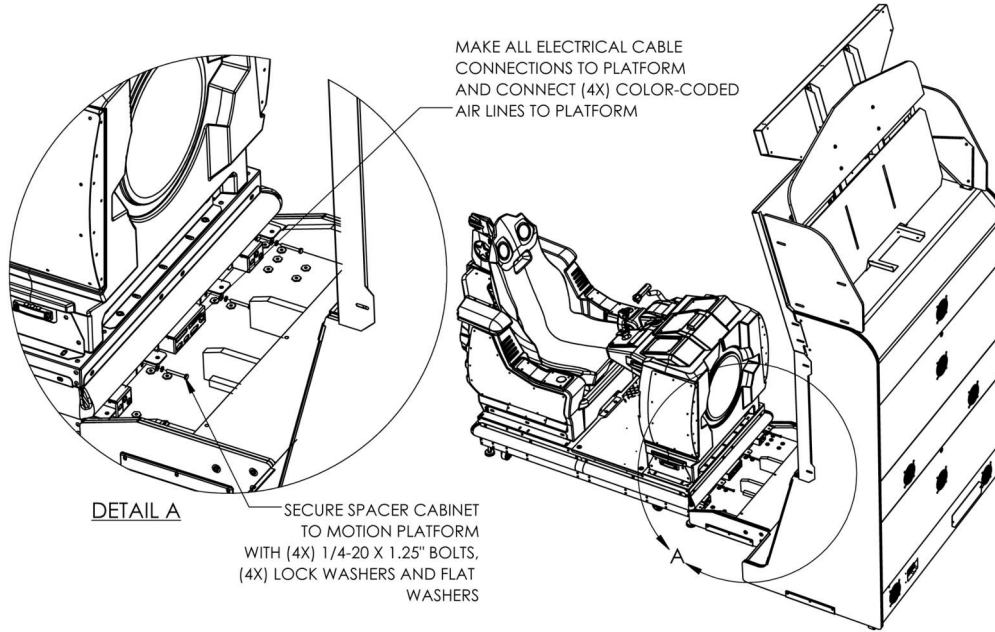
8. Rear Cover Installation



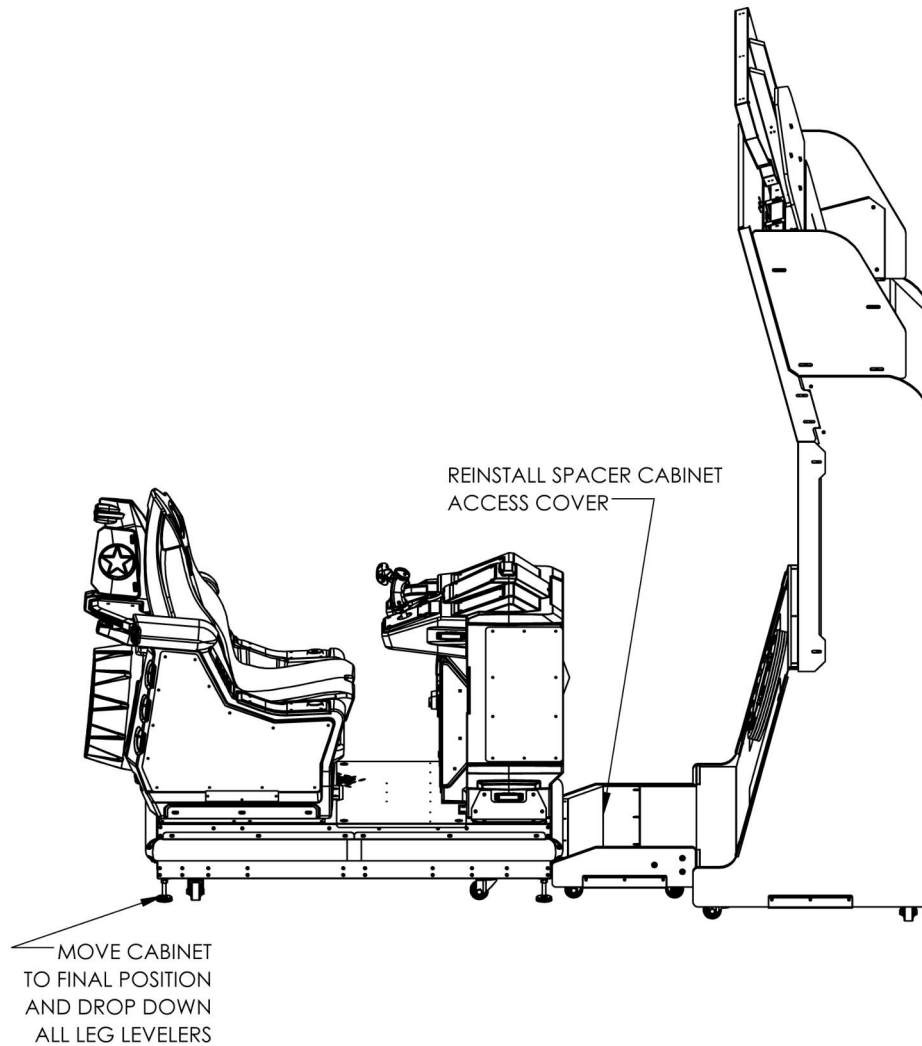
9. Attach Spacer Cabinet Mounting to Main Cabinet Assembly



10. Make Cable Connections and Secure Motion Platform



11. Finalize Installation



Verify Cabinet Functionality

1. Verify the voltage in the nearest AC outlet.
2. Verify the AC outlet ground connection is present and working.
3. Verify that the specified operating current will not overload the supply circuits.
4. Plug the cabinet line cord, marquee assembly power supply line cord, and monitor power cord into supplied power strip.
5. Plug power strip line cord into AC outlet.
6. Turn the main cabinet power switch to ON.
7. Verify that the cooling fans on the cabinet are working.
If not, turn off AC power and disconnect line cord. Contact Betson service
8. Check that no component is excessively hot or emitting foul odors.
If so, turn off AC power and disconnect line cord. Contact Betson service.
9. Once software loads, you will be asked to setup the cabinet software.

Game Software Setup

Initial Setup

When first turned on, follow the onscreen prompts to complete initial game setup.

Verify Input and Output Functionality

1. Enter the Diagnostic menu
2. Enter the INPUT TESTS menu and verify all switches and inputs function.
3. Enter the VIDEO TESTS menu and verify that video is acceptable.
4. Enter the COIN METER TEST and verify the operation of the coin meter.
5. Enter the LAMP TESTS menu and verify that all the lamps work correctly.
6. Enter the MOTION PLATFORM TEST menu and verify that the platform works correctly.
7. Enter the SOUND TEST menu and verify the audio works and is not distorted.
8. Enter the WATCHDOG TEST menu, which re-boots the game.
9. Upon a successful re-boot, you are ready to make adjustments to pricing, volume and other functions found in the Diagnostic menu.

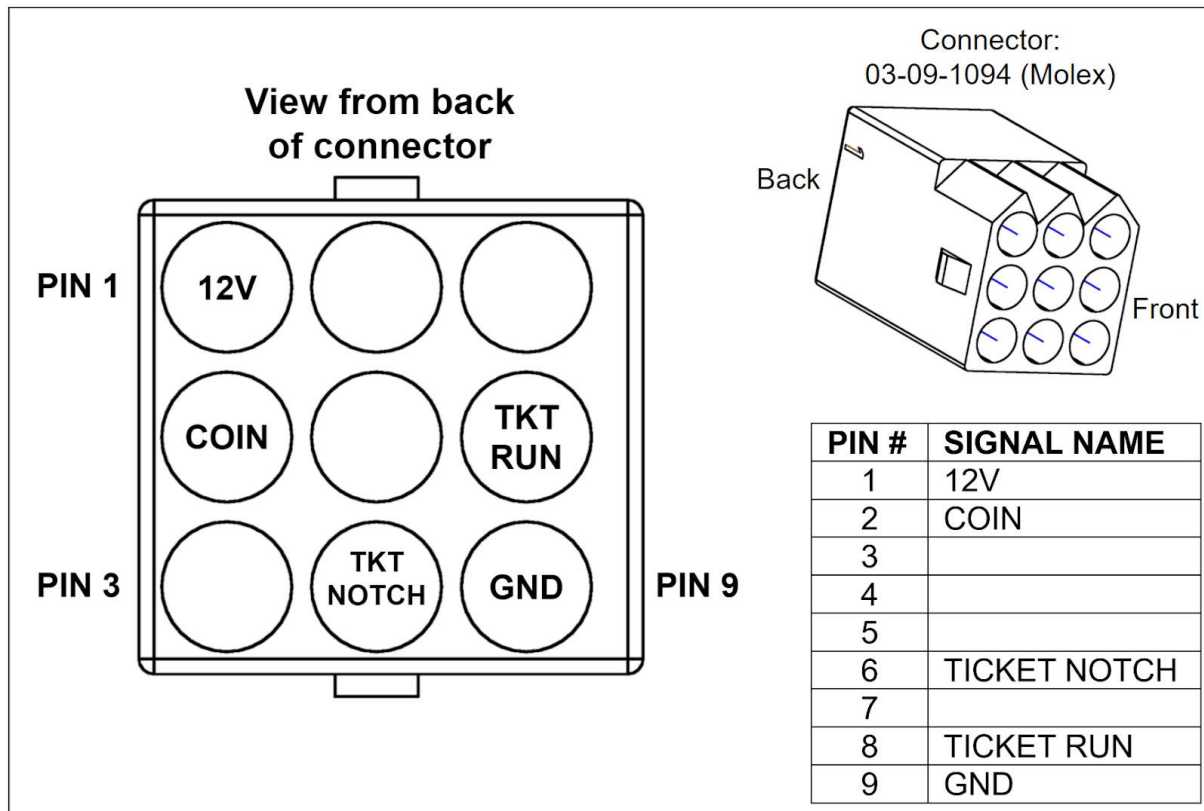
Card Reader Installation/Setup

UCL, or Universal Card Link, is a debit card standard established by the American Amusement Machine Association. Visit <https://coin-op.org/standardization/> for the latest UCL standard and manual information.

There is a supplied UCL connection that can be found under a plate (part#: R1-1235) located above the flight stick. Mount the card reader to this plate.

The UCL connector uses pins 1, 2, 6, 8, and 9. The other pins are unused.

The UCL connector can supply up to 1A at 12VDC.



Maintenance

Hard Drive Recovery

Symptoms requiring hard drive recovery include:

- File Test reports bad or missing files
- Game fails to finish loading during startup
- After resetting the AC power, an error is reported
- You are prompted to insert a boot DVD
- Erratic Game or Attract Mode
- A screen indicating Data Files Corrupted

COMPUTER

The computer contains sensitive components, including a hard drive. Do not handle roughly. Call your distributor before servicing its internal components. Ask about warranty information as it relates to the PC.

Do **not** use the PC on/off switch. Turn AC power on or off with the main cabinet power switches.

Flash Drive Restore

1. Turn both cabinet AC power switches to OFF.
2. Connect USB flash drive to an open USB port found inside the coin door.
3. Turn both cabinet AC power switches to ON.
4. Initial software loading may take several minutes. Check progress periodically.
Do not interrupt power or reset the game during recovery.
5. When software has finished loading, a message indicates that restore is complete.
6. Turn both cabinet power switches to OFF and disconnect USB flash drive.
7. After 30 seconds, turn both cabinet power switches to ON.
8. After game restarts, the game will proceed through the Setup wizard with factory defaults.

Troubleshooting

Warning: Review safety chapter before making any adjustments to game.

General Troubleshooting

Problem	Possible Cause	Solution
Game will not power up	Game not plugged in.	Plug game into outlet.
	Game not turned on.	Turn on main power switch.
	Game fuse is blown.	Check and replace fuse.
	Game power line circuit breaker tripped.	Check and reset game power line circuit breaker.
	No power to receptacle.	Test outlet and plug game into powered outlet.
	PC not turned on.	Ensure IEC cable tightly plugged in. Trace cable back to source to ensure continuity.
	PC BIOS set incorrectly.	Set PC BIOS to boot on power.

NO VIDEO message	Video cables not plugged in properly	Reattach and/or tighten video cable to monitor. Reattach and/or tighten video cable to PC.
	Faulty video cable	Replace video cable

No sound	Bad Connection	Check connection to speakers and amplifier board.
	Audio Cable Disconnected	Check audio cable and connection

Game does not load	Hard drive failure	Recover hard drive. See procedure on pg 16.
Hard drive test reports "bad" or "missing" files.		
Game fails to finish loading.		
After resetting, game still reports an error.		
Game suggests inserting a boot DVD.		
Erratic game mode or attract mode.		
<p style="text-align: center;">WARNING! Data Files Corrupted. (Game Operation May Become Unstable.) Use "Test" Switch to Enter Test Mode and Run "File Test." Press Start To Continue.</p>		

Game resets	Bad file.	Run File Test. Restore hard drive.
-------------	-----------	------------------------------------

Top Gun Maverick Arcade Service Manual

Problem	Possible Cause	Solution
<i>Coin meter does not click</i>	No pulse to meter	Check all wiring from meter to I/O board
	Faulty meter	Replace coin meter

<i>Exits Test Mode every 3 seconds</i>	Test button stuck in ON position	Slide or toggle button off after Test Menu appears
--	----------------------------------	--

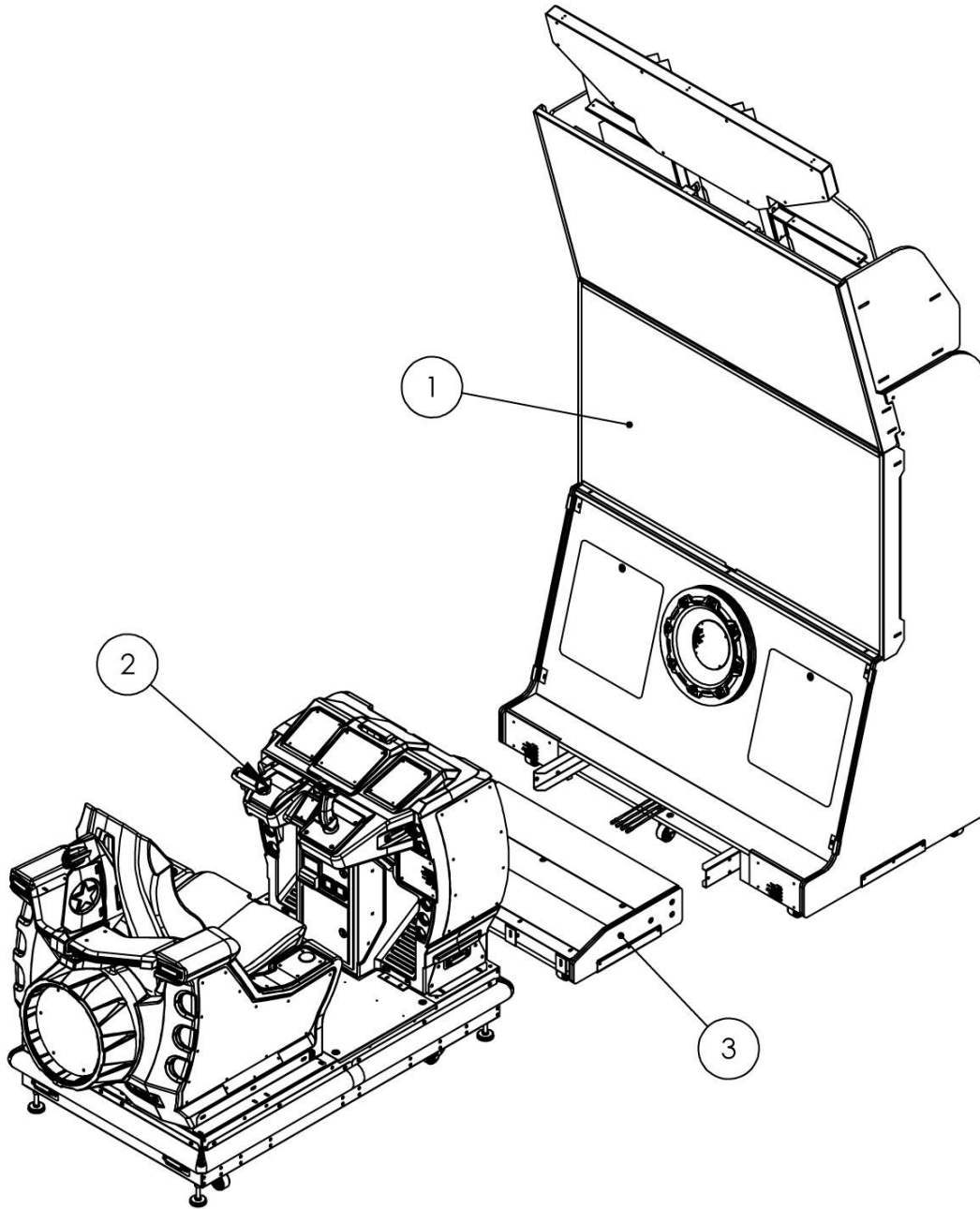
<i>Dongle Not Present</i>	Dongle missing or disconnected	Find dongle usb connection and reseal in USB port
	Faulty USB port	Test dongle in another USB port

<i>Connect I/O Board or I/O Board Missing</i>	USB cable disconnected	Check USB connection from PC to I/O board
	Blown fuse	Check and replace fuse.
	No power to RIO2 board	Check for proper voltage (+12V) at RIO2 P1 connector
	Bad RIO2 Board	Replace RIO2 board with known functional board

Problem	Possible Cause	Solution
<i>Compressor does not turn on/low humming noise coming from the compressor</i>	Compressor power cut off while it was running.	Turn off cabinet at rear of cabinet. Leave off for 3 minutes, then power back on.
	Compressor is stalled and/or Air stuck in the control box.	Turn off cabinet at rear of cabinet. Make sure the compressor is off. Disconnect the air line. Purge the air with the relief valve. Cycle the red switch. Turn back on.

Parts

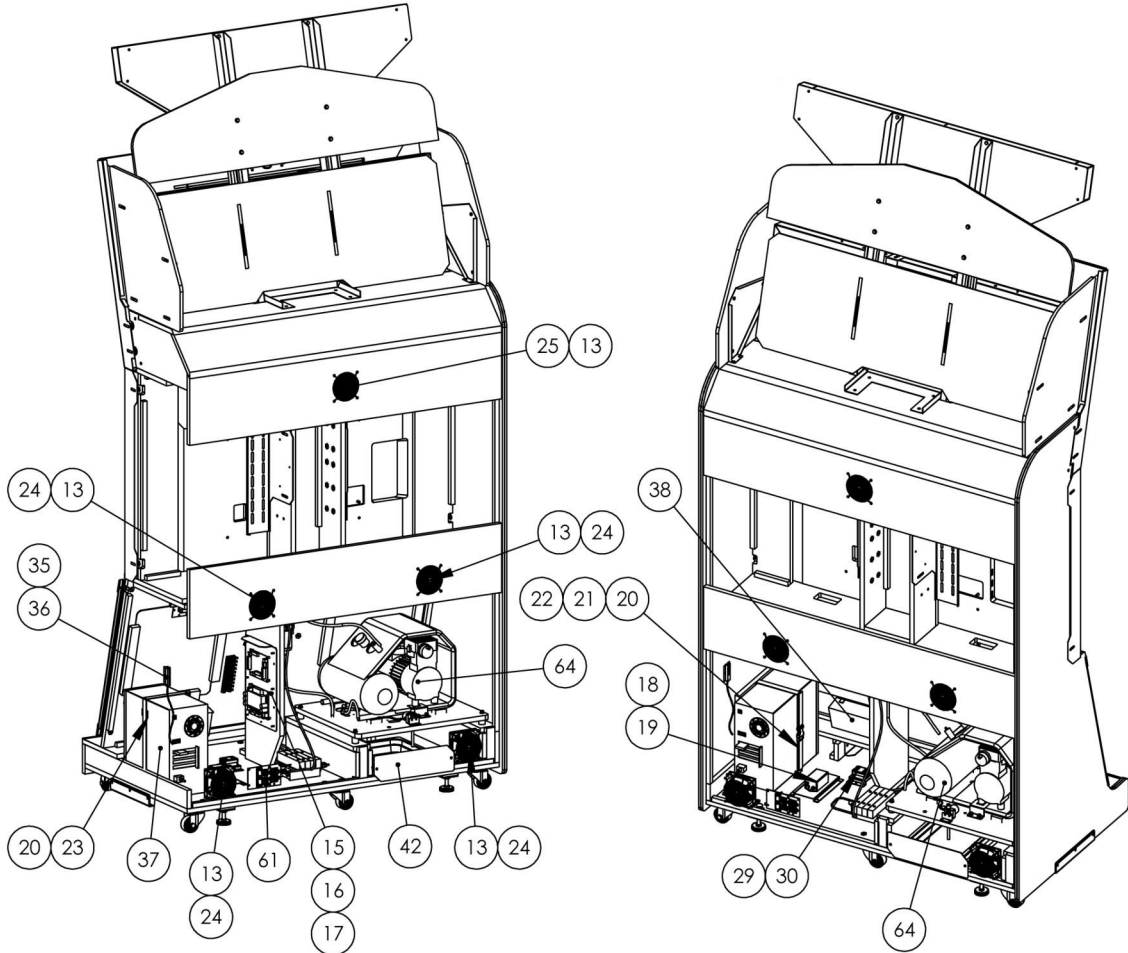
Top Gun Maverick – Game Assembly



Top Gun Maverick – Game Assembly Part Numbers

Item	Part No.	Description	QTY
1	TG-MAINCAB-ASSY	Top Gun Maverick – Main Cabinet Assembly	1
2	TG-COCKPIT-MOTION-PED-ASSY	Top Gun Maverick – Cockpit Motion Pedestal	1
3	TG-SPACER-ASSY	Top Gun Maverick – Spacer Assembly	1

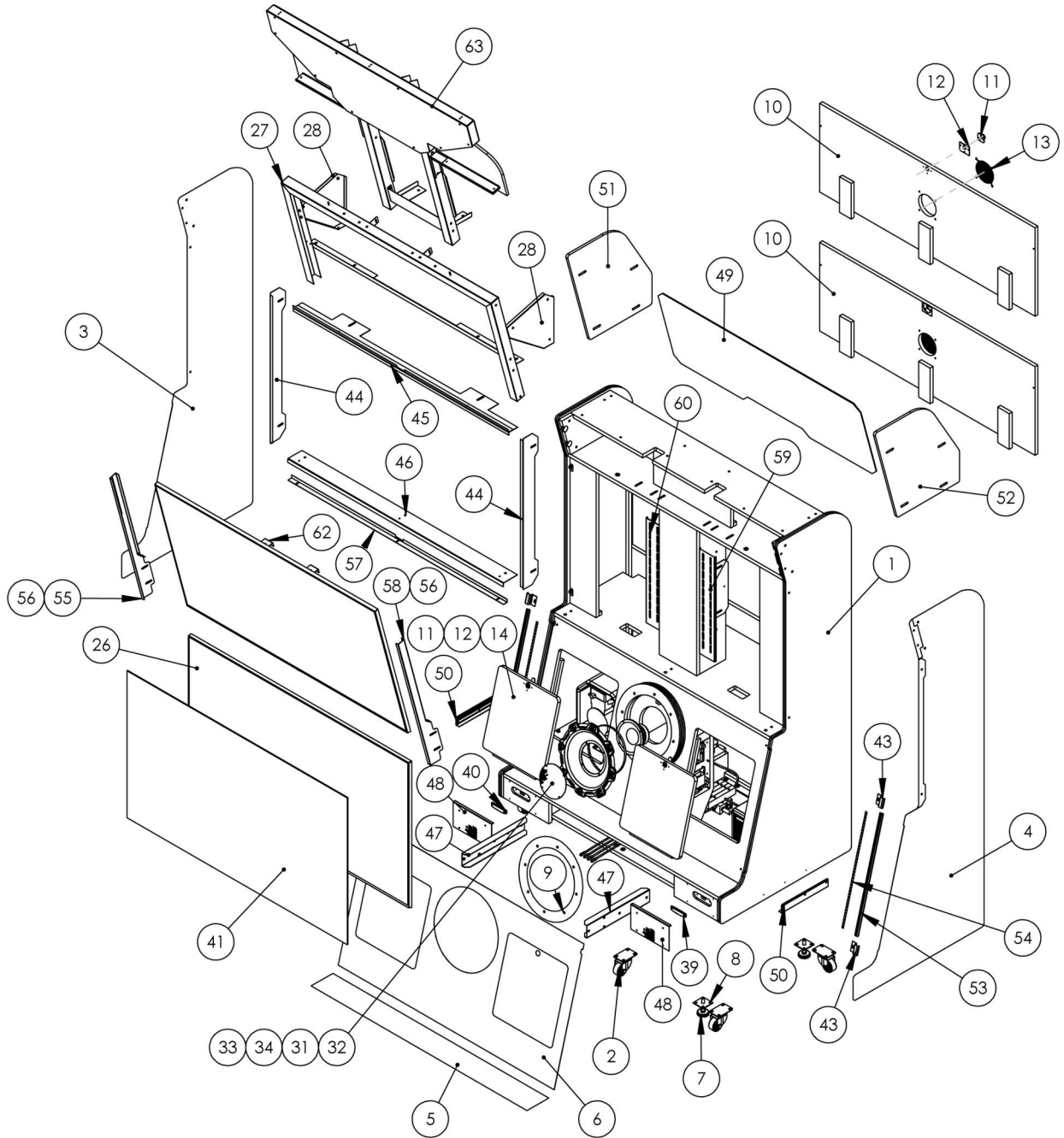
Top Gun Maverick – Main Cabinet Assembly



Top Gun Maverick – Main Cabinet Assembly Part Numbers

Item	Part No.	Description	QTY
13	800-00001-00	120mm Wire Fan Guard	12
15	600-02604-01	RIO2 w/ 8 Channel Sound Mounting Plate	1
16	500-00199-05	RIO2-PCB-ASSY	1
17	380-00010-01	8-CHANNEL-AUDIO-AMP-PCBA	1
18	600-02799-01	VRK-Line Filter Mounting Plate	1
19	442-00003-01	15A Power Line Filter	1
20	87425K76 (56 length)	Nylon Strip 0.075" Thick, 1" Width, Black (56" Length)	1
21	29705T86 (male)	Plastic Buckle for 1" Wide Web (Male)	1
22	29705T86 (female)	Plastic Buckle for 1" Wide Web (Female)	1
23	600-00891-01	Securing Nylon Strap Plate	5
24	820-00001-00	FAN-120MM-120VAC-15/19W	4
25	820-00001-00	FAN, 120VAC,19/15W	1
29	600-03119-01	Solid State Relay Bracket	1
30	800-00079-01	Crouzet 84137910N 25A Relay	1
35	01-1668-1	BRACKET-DONGLE	1
36	R90-19-14	GAME-DONGLE-TOP-GUN	1
37	R90-AP-8	Desktop TC M70t Gen3_Intel Q670_TWR_NON/G6900/8GB/256GB-m.2/260W	1
38	330-00003-01	HRP-600-12: 600W, 12V Dual Voltage Power Supply	1
42	600-02499-01	VRK-Drip Tray Access Plate	1
61	POWER-PLATE-ASSY-TG	POWER-PLATE-ASSY-TG	1
64	COMPRESSOR-PARTS-ASSY-TG	COMPRESSOR-PARTS-ASSY-TG	1

Top Gun Maverick – Main Cabinet Assembly – Continued

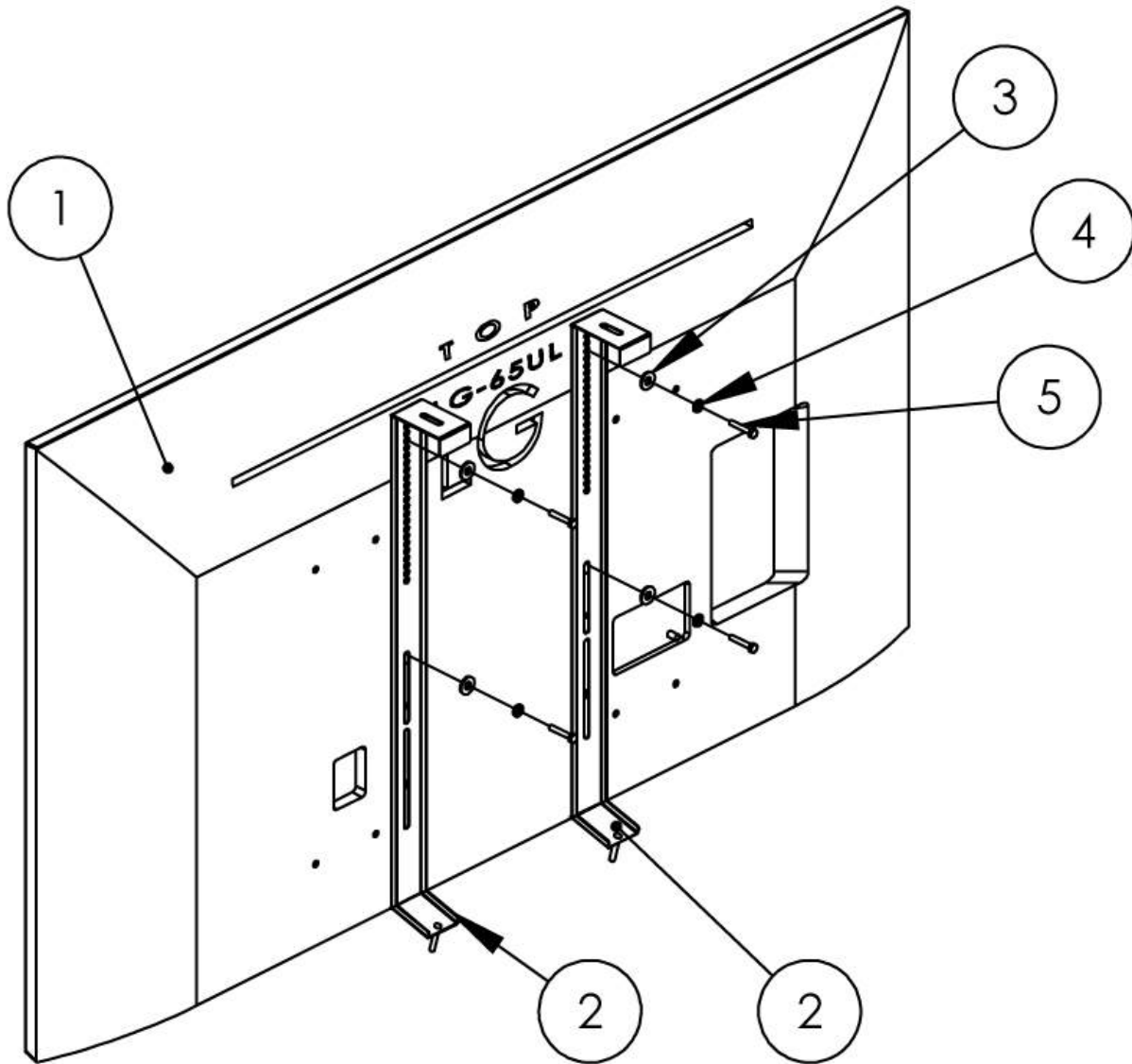


Top Gun Maverick Arcade Service Manual

Top Gun Maverick – Main Cabinet Assembly Part Numbers – Continued

Item	Part No.	Description	QTY
1	R90-23-13	ASSY-MAIN-CABINET-TG	1
2	800-00087-01	JULANG - 2.5 INCH CASTER ASSY	6
3	R90-13-102	DECAL-MAINCAB-LEFT-SIDE-TG	1
4	R90-13-103	DECAL-MAINCAB-RIGHT-SIDE-TG	1
5	R90-13-104	DECAL-MAINCAB-LEFT-BASE-TG	1
6	R90-13-105	DECAL-MAINCAB-FRONT-TG	1
7	Leg Leveler	1/2-13 x 4" Length	4
8	leg leveler plate	2.50 X 2.50 X 1/2-13 CTR - LEVELER PLATE	4
9	R90-13-261	DECAL-WOOFER-TG	1
10	601-00983-01	TG-REAR-DOOR-PANEL	2
11	Lock 7/8" w/ 1.25 Cam	LOCK ASSY	4
12	N202-130	RETAINER-LOCK	4
13	800-00001-00	120mm Wire Fan Guard	12
14	R90-23-15	PANEL-FRONT-ACCESS-TG	2
26	LG65_65UL3J	65" Commercial Grade LED TV (LG65_65UL3J)	2
27	R1-1209	FRAME-15-DEGREE-LCD-TG	1
28	R1-1211	BRACKET-SUPPORT-15-TG	2
31	603-00039-01	14.5-in Woofer Cone	1
32	R1-1141	GRILL-WOOFER-ROUND-NBA4	1
33	807-00002-02	Woofer Speaker, 6.5in 4 ohms	1
34	500-00245-55	70CM-RGB-LED-STRIP	1
39	R90-8-8	GREEN-6-LED-SIDE-MARKER-LIGHT-W-2-PIN-CONNECTOR-FYF	1
40	R90-8-7	RED-6-LED-SIDE-MARKER-LIGHT-W-2-PIN-CONNECTOR-FYF	1
41	R22-2	GLASS-65-GVR	1
43	600-03023-01	CLIP-TMOLDING-HALO-TGUN	4
44	R1-1212	RETAINER-SIDE-GLASS-TG	2
45	R1-1213	RETAINER-MID-GLASS-TG	1
46	R1-1295	RETAINER-LCD-SHELF-TG	1
47	R1-1219	BRACKET-CONNECT-TG	2
48	R1-1220	GRILL-LED-MAINCAB-TG	2
49	R4-1054	COROPLAST-COVER-TG	1
50	603-01002-01	TMOLDING-CLIP-12INCH-CLEAR	2
51	R90-13-110	PANEL-LEFT-MARQUEE-TG	1
52	R90-13-111	PANEL-RIGHT-MARQUEE-TG	1
53	603-00718-01-TMOLD-TG-SIDE	603-00718-01 (25.00" LONG)	2
54	60CM-WHITE-LED-STRIP	60CM-LED-STRIP- (RGB)	2
55	R1-1215	RETAINER-LEFT-UPPER-GLASS-TG	1
56	3M-DUAL-LOCK-.50IN X 10-INCH	3M-DUAL-LOCK-10-INCH	6
57	R1-1218	RETAINER-LOWER-GLASS-TG	1
58	R1-1216	RETAINER-RIGHT-UPPER-GLASS-TG	1
59	R1-1159	GVR/FNFA - Universal lower VESA bracket	1
60	R1-1160	GVR/FNFA - Universal lower VESA bracket mirror	1
62	UPPER-65"LCD-ASSY-TG	UPPER-65"LCD-ASSY-TG	6
63	MARQUEE-ASSY-TG	TRANSLITE-MARQUEE-TG	1

Top Gun Maverick – LG 65” LCD Assembly



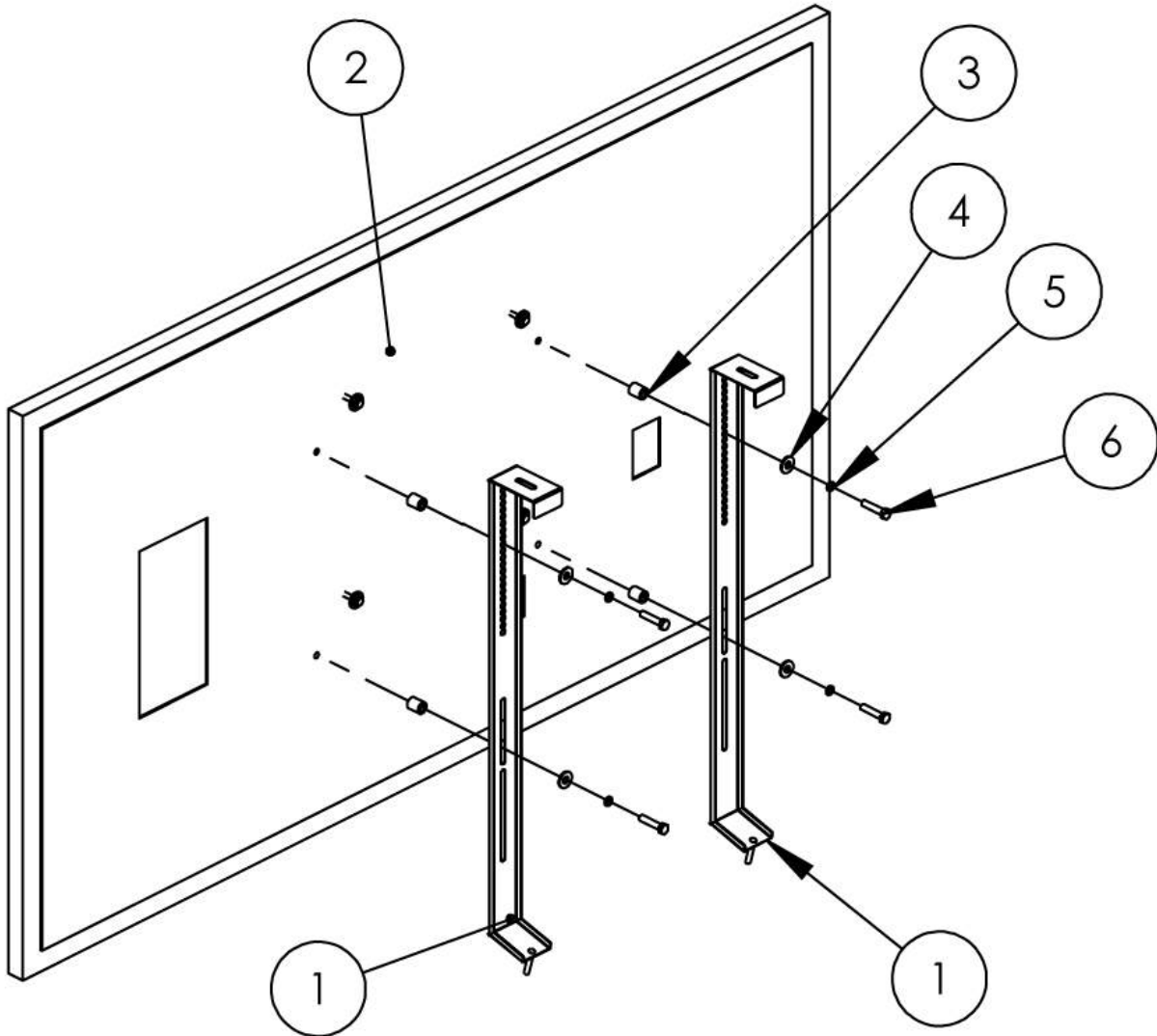
Top Gun Maverick – LG 65” LCD Assembly Part Numbers

Item	Part No.	Description	QTY
1	LG65_65UL3J	65" Commercial Grade LED TV (LG65_65UL3J)	1
2	R1-1210	BRACKET-LCD-15-DEGREE-TG	2
3	1/4" FLAT WASHER	1/4" FLAT WASHER	4
4	1/4" LOCK WASHER	1/4" LOCK WASHER	4
5	M6 X 16MM HEX HEAD BOLT	M6 X 16MM HEX HEAD BOLT	4

IF REPLACING LCDS - ALTERNATE HARDWARE MAY BE REQUIRED FOR MOUNTING.

R90-17-2 (UNIVERSAL MONITOR MOUNTING KIT) CONTAINS ADDITIONAL FASTENERS FOR ATTACHING DIFFERENT LCDs.

Top Gun Maverick – Samsung 65” LCD Assembly



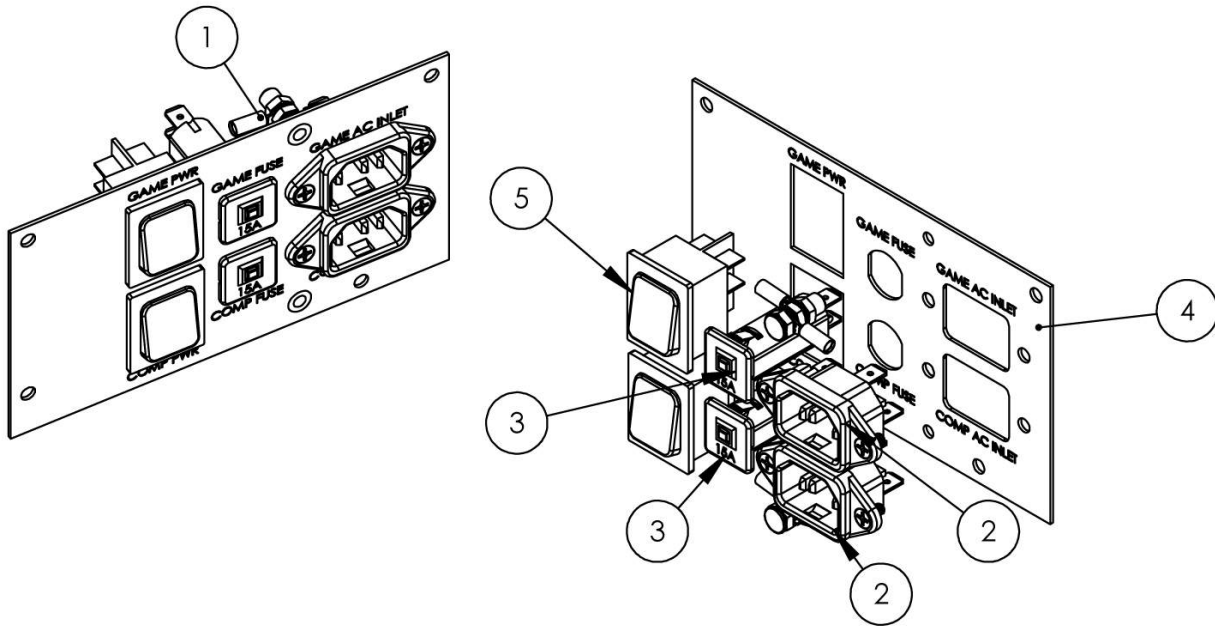
Top Gun Maverick – Samsung 65” LCD Assembly Part Numbers

Item	Part No.	Description	QTY
1	R1-1210	BRACKET-LCD-15-DEGREE-TG	2
2	Samsung_QB65C	SAMSUNG-65"LCD-QB65C	1
3	4-1179	SPACER-.75-LONG	4
4	M8 FLAT WASHER	M8 FLAT WASHER	4
5	M8 LOCK WASHER	M8 LOCK WASHER	4
6	M8 X 35MM HEX HEAD BOLT	M8 X 35MM HEX HEAD BOLT	4

IF REPLACING LCDS - ALTERNATE HARDWARE MAY BE REQUIRED FOR MOUNTING.

R90-17-2 (UNIVERSAL MONITOR MOUNTING KIT) CONTAINS ADDITIONAL FASTENERS FOR ATTACHING DIFFERENT LCDs.

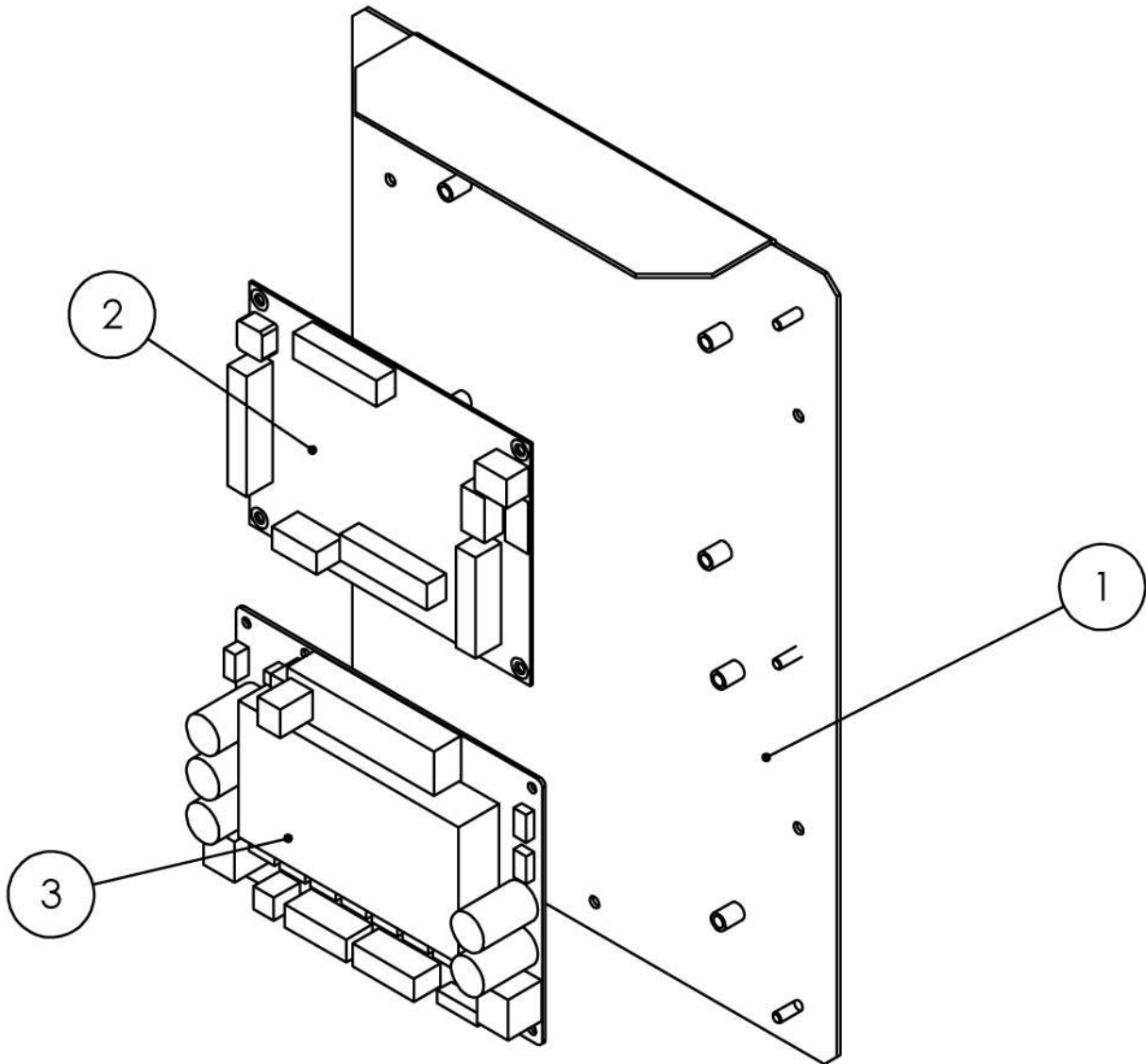
Top Gun Maverick – Power Plate Assembly



Top Gun Maverick – Power Plate Assembly Part Numbers

Item	Part No.	Description	QTY
1		Ring and Spade Tongue Terminal (#8 Screw)	4
2		IEC Appliance Inlet, Screw-on Mounting, Front Side, Quick-connect, 10A	2
3	T9-611	CBE Circuit Breakers: Circuit Breaker for Equipment thermal, Snap-in type, Fuseholder style, 1 pole (Schurter #4404.0004)	2
4	600-01384-01	AC Double-Inlet Plate	1
5	ON_OFF AC-SWITCH	ON_OFF AC-SWITCH	2

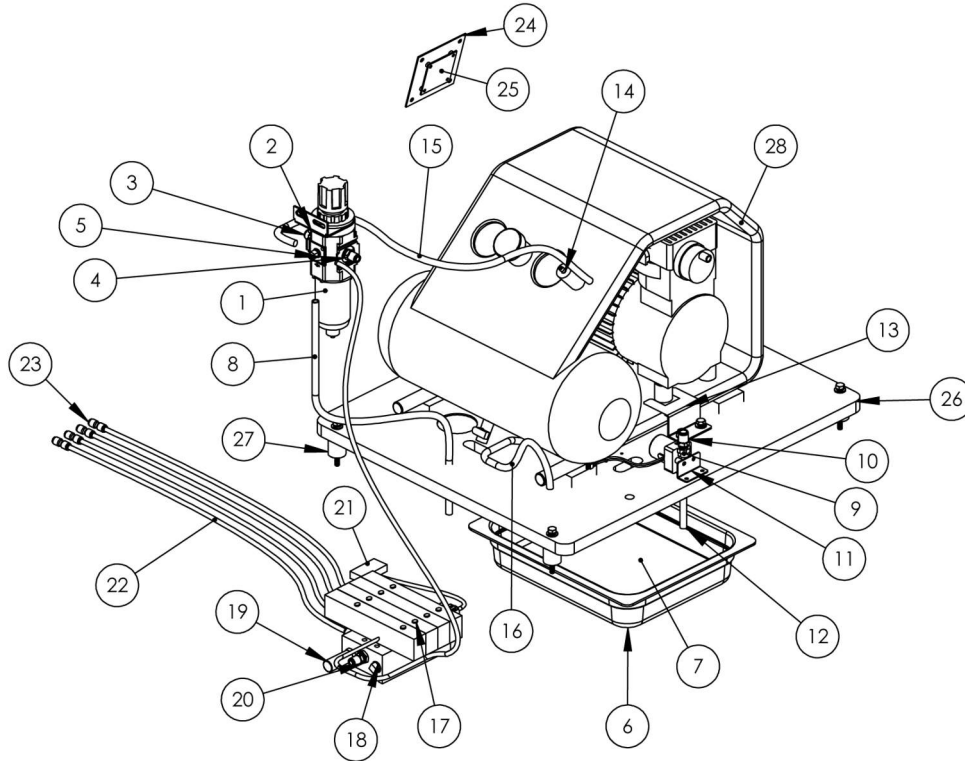
Top Gun Maverick – RIO Assembly



Top Gun Maverick – RIO Assembly Part Numbers

Item	Part No.	Description	QTY
1	600-02604-01	RIO2 w/ 8 Channel Sound Mounting Plate	1
2	500-00199-05	RIO2-PCB-ASSY	1
3	380-00010-01	8-CHANNEL-AUDIO-AMP-PCBA	1

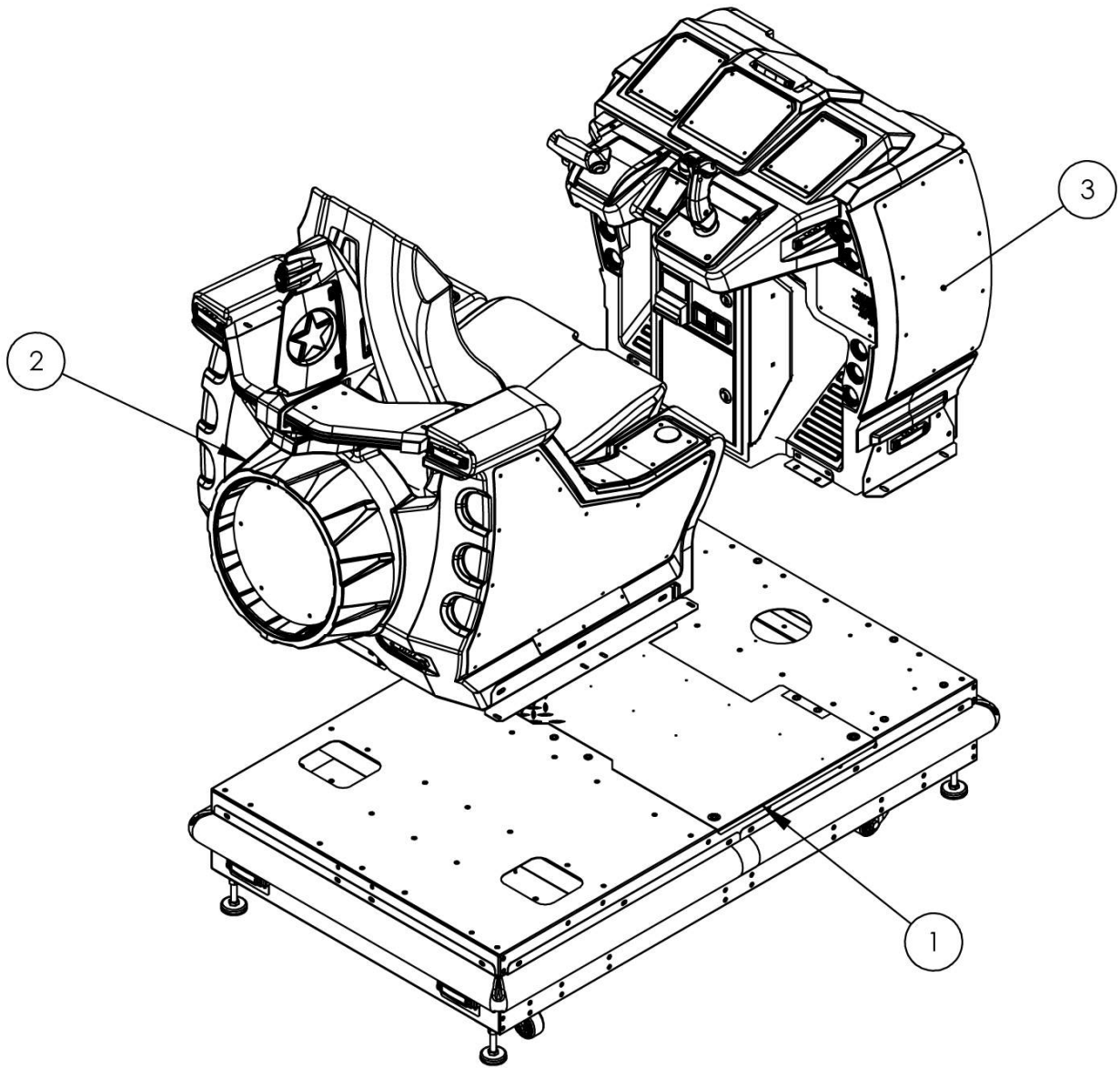
Top Gun Maverick – Compressor Assembly



Top Gun Maverick – Compressor Assembly Part Numbers

Item	Part No.	Description	QTY
1	604-00046-01	CKD-W3000-8N-W-F11 4" NPT 5/micron Filter/Regulator w norm closed auto-drain	1
2	604-00048-01	CKD-B330 L BRACKET FOR W3000-8N-W-F1	1
3	5779K391	Fitting-3/8 OD Push-to-Connect / 1/4 NPT Male- (5779K391)	1
4	5779K109	Push-to-Connect Tube Fitting, Straight Adapter for 1/4" Tube OD x 1/4 NPT Male	6
5	44605K232	Plug, 1/4 Pipe Size	5
6	603-01006-01	9x7x1.5 Flat Bottom Tray-The Lab Depot- 409204	1
7	603-01007-01	7x6x.75 Foam Sponge	1
8	TG-Regulator Drain Hose 3_8	3/8" OD x 18" Long Air Hose	1
9	604-00060-01	Drain Valve / CKD AB21-02-2-DC12V	1
10	5779K391	Fitting-3/8 OD Push-to-Connect / 1/4 NPT Male-BSPT C (52065K419)	2
11	Drain Valve Bracket	Drain Valve Bracket	1
12	6in Drain Hose	6in Drain Hose	1
13	600-02621-01	01-2959 BRACKET-COMPRESSOR-DLX-JP	2
14	6718K72	303 Stainless Steel Industrial Quick-Disconnect Hose Coupling for Air-Barbed	1
15	TG-Compressor to Regulator hose 3_8	3/8" OD x 18" Long Air Hose	1
16	Compressor line to Purge Valve	3/8" OD x 10" Long Air Hose	1
17	604-00045-01	CKD / M4KB330-08N-4-DC12V 4 Station Manifold	1
18	44605K233	Plug, 3/8 Pipe Size	2
19	1213T12	High-Noise Reducing Mufflers, Plastic, 3/8 NPT Male, 177 scfm, 2-5/16" High	2
20	50785K63	Bushing Reducer, 3/8" Male x 1/4" Female	2
21	500-00195-01	Pressure Sensor	1
22	Manifold to Spring Hose 1_4 OD, Coupling	Manifold to Spring Air line, 1/4" OD to 1/4" OD push to connect coupling	4
23	5779K14	Fitting Push-to-Connect 1/4-1/4 Female (5779K14)	4
24	600-02789-01	VR-K Compressor Monitor Board Bracket	1
25	Compressor Monitor Board	Compressor Monitor Board	1
26	R90-23-20	PANEL-COMPRESSOR-TG	1
27	93945K117	93945K117_Vibration-Damping Sandwich Mount with Stud and Insert	4
28	604-00066-01	Makita MAC210Q-AIR-COMPRESSOR-120VAC	1

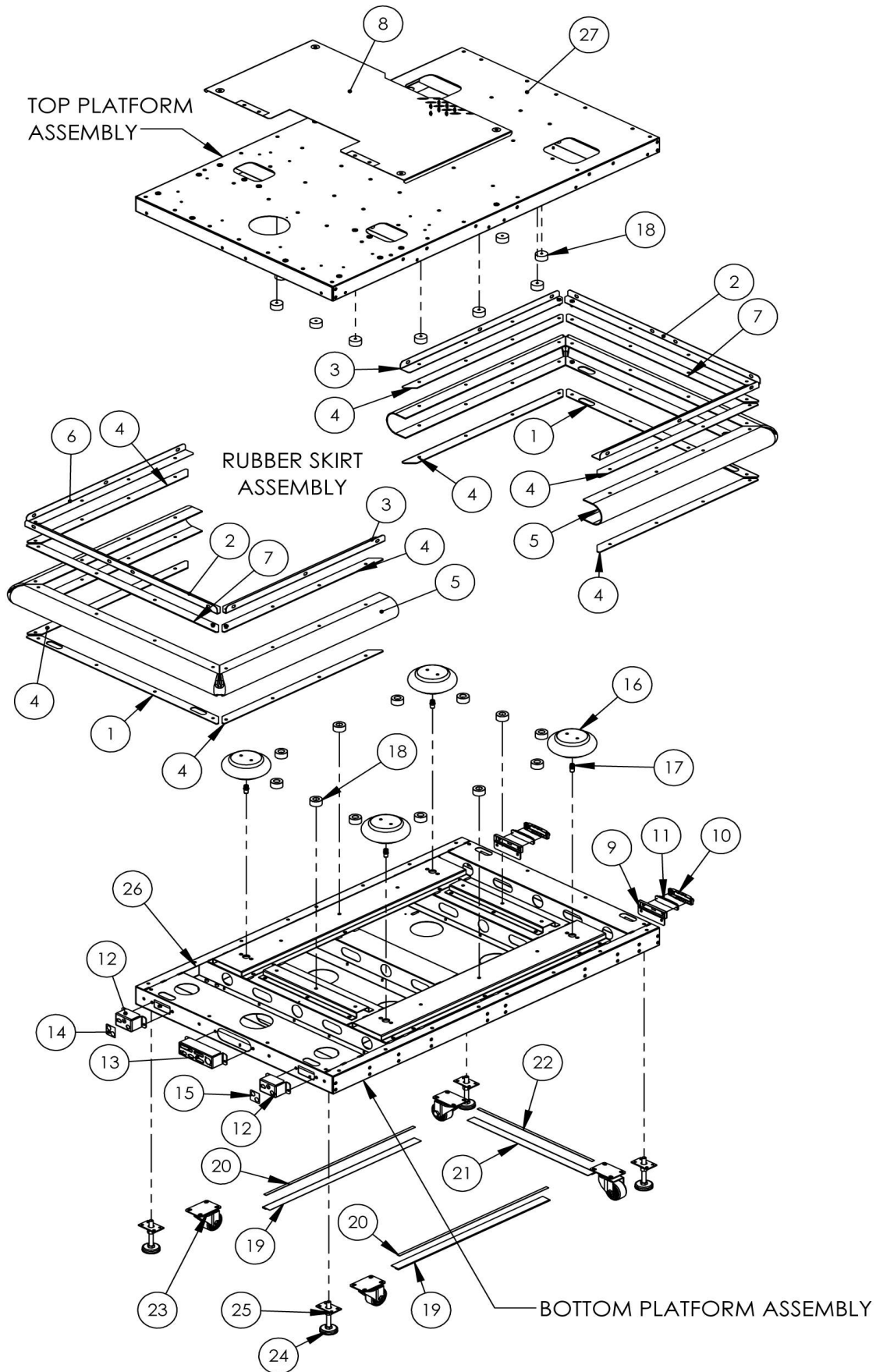
Top Gun Maverick – Motion Pedestal Assembly



Top Gun Maverick – Motion Pedestal Assembly Part Numbers

Item	Part No.	Description	QTY
1	MOTION-PLATFORM-ASSY-TG	Top Gun Maverick – Motion Platform Assembly	1
2	TG-SEAT-PEDESTAL-ASSY	Top Gun Maverick – Seat Pedestal Assembly	1
3	TG-CONTROL-PANEL-ASSY	Top Gun Maverick – Control Panel Assembly	1

Top Gun Maverick – Motion Platform Assembly

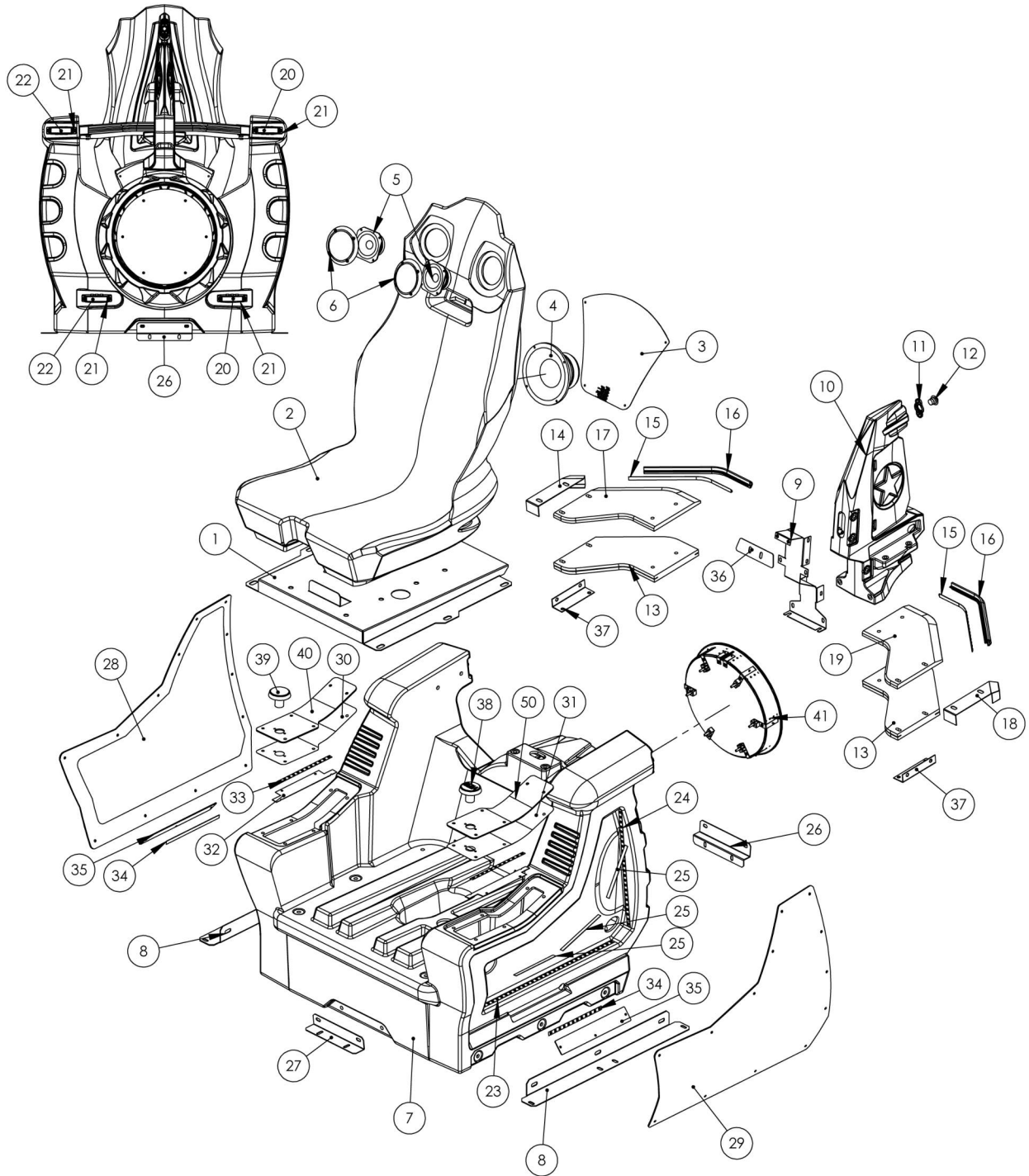


Top Gun Maverick Arcade Service Manual

Top Gun Maverick – Motion Platform Assembly Part Numbers

Item	Part No.	Description	QTY
1	600-02993-01	F&F Safety Skirt Long Hem Bracket (Slotted)	2
2	600-02894-01	F&F Safety Skirt Upper Cross Bracket	2
3	600-02896-01	F&F Safety Skirt Upper Short Angle Side Bracket -1 (2)	2
4	600-02898-01	F&F Safety Skirt Short Hem Side Bracket (8)	8
5	600-02893-01	Rubber Safety Skirt	2
6	600-02897-01	F&F Safety Skirt Upper Short Angle Side Bracket -2 (2)	2
7	600-02895-01	F&F Safety Skirt Long Hem Bracket	2
8	R1-1245	DIAMOND-PLATE-TG	1
9	R1-1223	BRACKET-LED-BASE-TG	2
10	R90-4-45	BEZEL-LED-6-INLINE-IM-TG	2
11	R90-8-9	WHITE-6-LED-SIDE-MARKER-LIGHT-W-2-PIN-CONNECTOR-FYF	2
12	R1-1248	TG-SIDE-PANEL-MOUNT-PLATE	2
13	R1-1247	TG-CENTER-PANEL-MOUNT-PLATE	1
14	R90-13-237	TG - DECAL -Motioncab-Air-lines-0,2	1
15	R90-13-238	TG - DECAL -Motioncab-Air-lines-1,3	1
16	800-00074-01	AIR SPRING ITT Enidine / YI-FS 70-10 CI ¼ NPT	4
17	5779K109	Push-to-Connect Tube Fitting for Air, Straight Adapter for 1/4" Tube OD x 1/4 NPT Male	4
18	9540K36	Unthreaded Bumper, SBR Rubber, 1-1/2" Od, 3/4" High	24
19	603-00762-26	LED-EXTRUSION-26"LG	2
20	500-00131-65	RGB-LED-STRIP-65"LG	2
21	603-00762-22	LED-EXTRUSION-22"LG	1
22	500-00131-55	RGB-LED-STRIP-55"LG	1
23	800-00087-01	JULANG 2.50" SWIVEL CASTER	4
24	800-00004-00	3" LEG LEVELER	4
25	600-01633-01	PLATE-LEG-LEVELER-DLX-JP	4
26	608-00243-01	F&F-BOTTOM-PLATFORM-ASSY-WELDMENT	1
27	RAP-130-A	TG - TOP-PLATFORM-ASSY-WELDMENT	1

Top Gun Maverick – Seat Pedestal Assembly

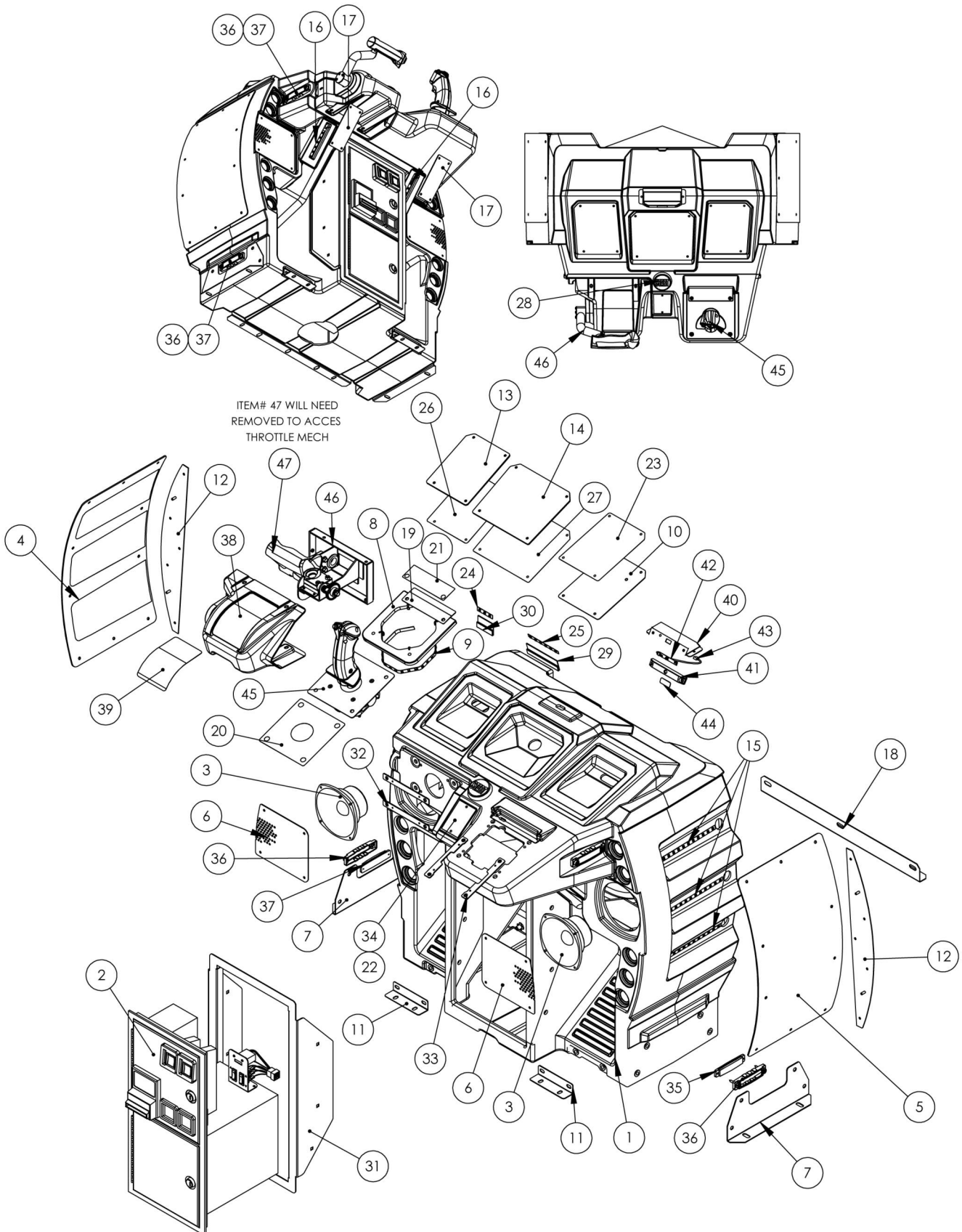


Top Gun Maverick Arcade Service Manual

Top Gun Maverick – Seat Pedestal Assembly Part Numbers

Item	Part No.	Description	QTY
1	R1-1242	BRACKET-SEAT-TG	1
2	R90-4-56	ROTO-MOLDED-SEAT-BLACK	1
3	600-00106-01	WOOFER-GRILL	1
4	2-1-11-00-00-000	SPEAKER WOOFER-6.5" 4 OHM	1
5	807-00010-00	3-1/2" Full Range Speaker	2
6	807-00014-00	3 1/2" Speaker Grille	2
7	R90-4-17	SEAT-PEDESTAL-ROTOMOLDED-TG	1
8	R1-1227	BRACKET-SEAT-SIDE-TG	2
9	R1-1244	BRACKET-RUDDER-TG	1
10	R90-4-19	RUDDER-ROTOMOLDED-TG	1
11	R90-4-44	BEZEL-LED-ROUND-IM-TG	1
12	R90-8-10	3-LED-MARKER-LIGHT-WHITE-W-2-PIN-CONNECTOR-FYF	1
13	R90-23-19	PANEL-SEAT-WING-TG	2
14	R1-1231	BRACKET-RIGHT-WING-TOP-TG	1
15	160CM-RGB-LED-STRIP	30CM-RGB-LED-STRIP-WING-TG	2
16	603-00718-12	LED-T-MOLDING-12-INCHES	2
17	R4-1061	TG-RIGHT-PVC-WING	1
18	R1-1230	BRACKET-LEFT-WING-TOP-TG	1
19	R4-1060	TG-LEFT-PVC-WING	1
20	R90-8-8	GREEN-6-LED-SIDE-MARKER-LIGHT-W-2-PIN-CONNECTOR-FYF	2
21	R90-4-45	BEZEL-LED-6-INLINE-IM-TG	4
22	R90-8-7	RED-6-LED-SIDE-MARKER-LIGHT-W-2-PIN-CONNECTOR-FYF	2
23	50cm LED Strip (white)	50CM LED STRIP (WHITE)	2
24	40cm LED Strip (white)	40CM LED STRIP (WHITE)	2
25	15CM LED STRIP (WHITE)	15cm LED Strip (WHITE)	6
26	R1-1228	BRACKET-SEAT-REAR-TG	1
27	R1-1229	BRACKET-SEAT-FRONT-TG	1
28	R90-13-130	TRANSLITE-ROTO-SEAT-RIGHT-SIDE-TG	1
29	R90-13-129	TRANSLITE-ROTO-SEAT-LEFT-SIDE-TG	1
30	R90-13-127	TRANSLITE-RIGHT-SIDE-CONTROLS-TG	1
31	R90-13-126	TRANSLITE-LEFT-SIDE-CONTROLS-TG	1
32	R1-1246	PLATE-SEAT-LED-TG	2
33	20CM LED STRIP (WHITE)	20cm Flexible LED Strip (WHITE)	2
34	20CM LED STRIP (RGB)	20cm Flexible LED Strip (RGB)	2
35	R4-1050	ACRYLIC-LOWER-SEAT-TG	2
36	R1-1243	PLATE-SEAT-TG	1
37	R1-1232	BRACKET-WING-TG	2
38	R90-AP-29	LARGE RND - VIEW - BUTTON - TG	1
39	R90-AP-30	LARGE RND - MOTION-STOP - BUTTON - TG	1
40	R4-1049	PETG-SEAT-CONTROLS-TG	1
41	INFINITY-LIGHT-ASSY-TG	INFINITY-LIGHT-ASSY-TG	1

Top Gun Maverick – Control Panel Assembly

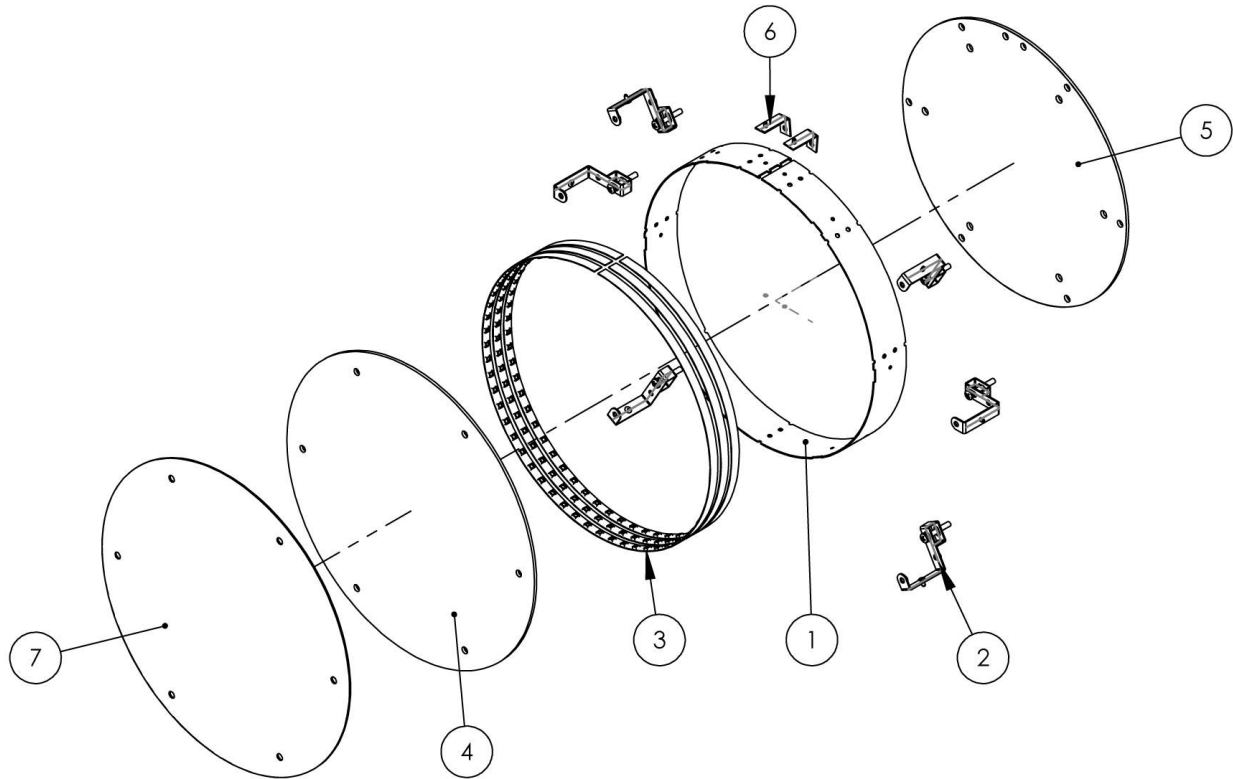


Top Gun Maverick Arcade Service Manual

Top Gun Maverick – Control Panel Assembly Part Numbers

Item	Part No.	Description	QTY
1	R90-4-18	CONTROL-PANEL-ROTOMOLDED-TG	1
2	800-00005-01	MID-WIDTH COINDOOR - BBHD	1
3	2-1-10-00-00-000	5.25 FULL RANGE SPEAKER	2
4	R90-13-131	TRANSLITE-ROTO-CP-LEFT-SIDE-TG	1
5	R90-13-132	TRANSLITE-ROTO-CP-RIGHT-SIDE-TG	1
6	R1-1239	GRILL-CONTROL-PANEL-TG	2
7	R1-1236	BRACKET-CONTROL-PANEL-SIDE-TG	2
8	R4-1051	ACRYLIC-FLIGHT-STICK-TG	1
9	35CM-RGB-LED-STRIP-FLIGHTSTICK-TG	35CM-RGB-LED-STRIP-FLIGHT-STICK-TG	1
10	R1-1235	PLATE-CARD-READER-BLANK-TG	1
11	R1-1238	BRACKET-CONTROL-PANEL-FRONT-TG	2
12	R1-1240	PLATE-CURVED-COVER-TG	2
13	R4-1048	PETG-LEFT-CP-TG	1
14	R4-1047	PETG-CENTER-CP-TG	1
15	20CM LED STRIP (RGB)	20cm Flexible LED Strip (RGB)	6
16	10CM LED STRIP (RGB)	10CM LED STRIP (RGB)	2
17	R4-1057	PETG-UNDER-CONTROLS-TG	2
18	R1-1237	BRACKET-REAR-CONTROL-PANEL-TG	1
19	R1-1234	PLATE-STICK-LED-TG	1
20	R90-13-119	DECAL-FLIGHT-STICK-TG	1
21	R90-13-120	DECAL-FLIGHT-STICK-TOP-TG	1
22	R90-13-122	DECAL-COIN-TG	1
23	R90-13-121	DECAL-BLANK-READER-TG	1
24	15CM LED STRIP	5CM LED STRIP (WHITE)	1
25	10cm LED Strip (White)	10cm Flexible LED Strip (White)	1
26	R90-13-124	TRANSLITE-LEFT-CP-TG	1
27	R90-13-125	TRANSLITE-CENTER-CP-TG	1
28	R90-AP-28	LARGE RND - WHITE - PUSH-BUTTON	1
29	603-00762-05	LED-EXTRUSION-FLAT	1
30	603-00762-02	LED-EXTRUSION-FLAT	1
31	R1-1233	BRACKET-COIN-DOOR-TG	1
32	R1-1302	PLATE-ROTO-THROTTLE-TG	2
33	R1-1303	PLATE-ROTO-FLIGHT-STICK-TG	2
34	R4-1064	POLYCARB-DECAL-SHIELD-TG	1
35	R90-8-8	GREEN-6-LED-SIDE-MARKER-LIGHT-W-2-PIN-CONNECTOR-FYF	2
36	R90-4-45	BEZEL-LED-6-INLINE-IM-TG	4
37	R90-8-7	RED-6-LED-SIDE-MARKER-LIGHT-W-2-PIN-CONNECTOR-FYF	2
38	R90-4-43	HOUSING-THROTTLE-IM-TG	1
39	R90-13-118	DECAL-THROTTLE-TG	1
40	R1-1241	BOX-CAMERA-MOUNT-TG	1
41	603-00963-01	Camera-Housing/Superbikes 3	1
42	500-00185-01	Moto-GP Webcam	1
43	810-00162-01	USB camera cable	1
44	600-01790-01	Camera Dust Cover	1
45	TOP-GUN-FLIGHT-STICK-ASSY	TOP-GUN-FLIGHT-STICK-ASSY	1
46	TOP-GUN-THROTTLE-ASSY	TOP-GUN-THROTTLE-ASSY	1
47	R90-AP-31	TG - Throttle Handle Assy	1

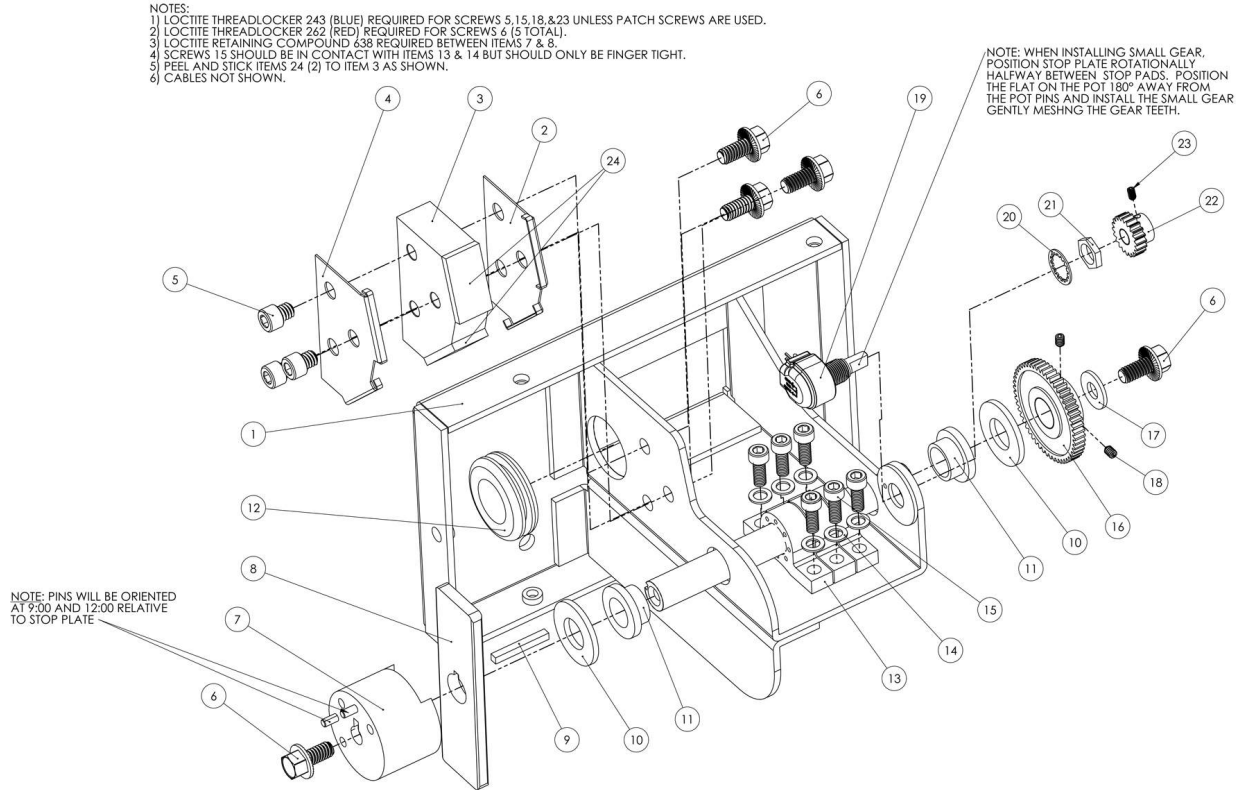
Top Gun Maverick – Infinity Light Assembly



Top Gun Maverick – Infinity Light Assembly Part Numbers

Item	Part No.	Description	QTY
1	R1-1224	PLATE-CURVED-INFINITY-TG	1
2	R1-1225	BRACKET-REAR-INFINITY-TG	6
3	160CM-RGB-LED-STRIP	95CM-RGB-LED-STRIP-INFINITY-TG	3
4	R4-1053	ACRYLIC-INFINTY-2-WAY-TG	1
5	R4-1052	MIRROR-PLEX-INFINITY-TG	1
6	R1-1226	BRACKET-REAR-INFINITY-TG	2
7	R4-1062	POLYCARB-INFINTY-SHIELD-TG	1

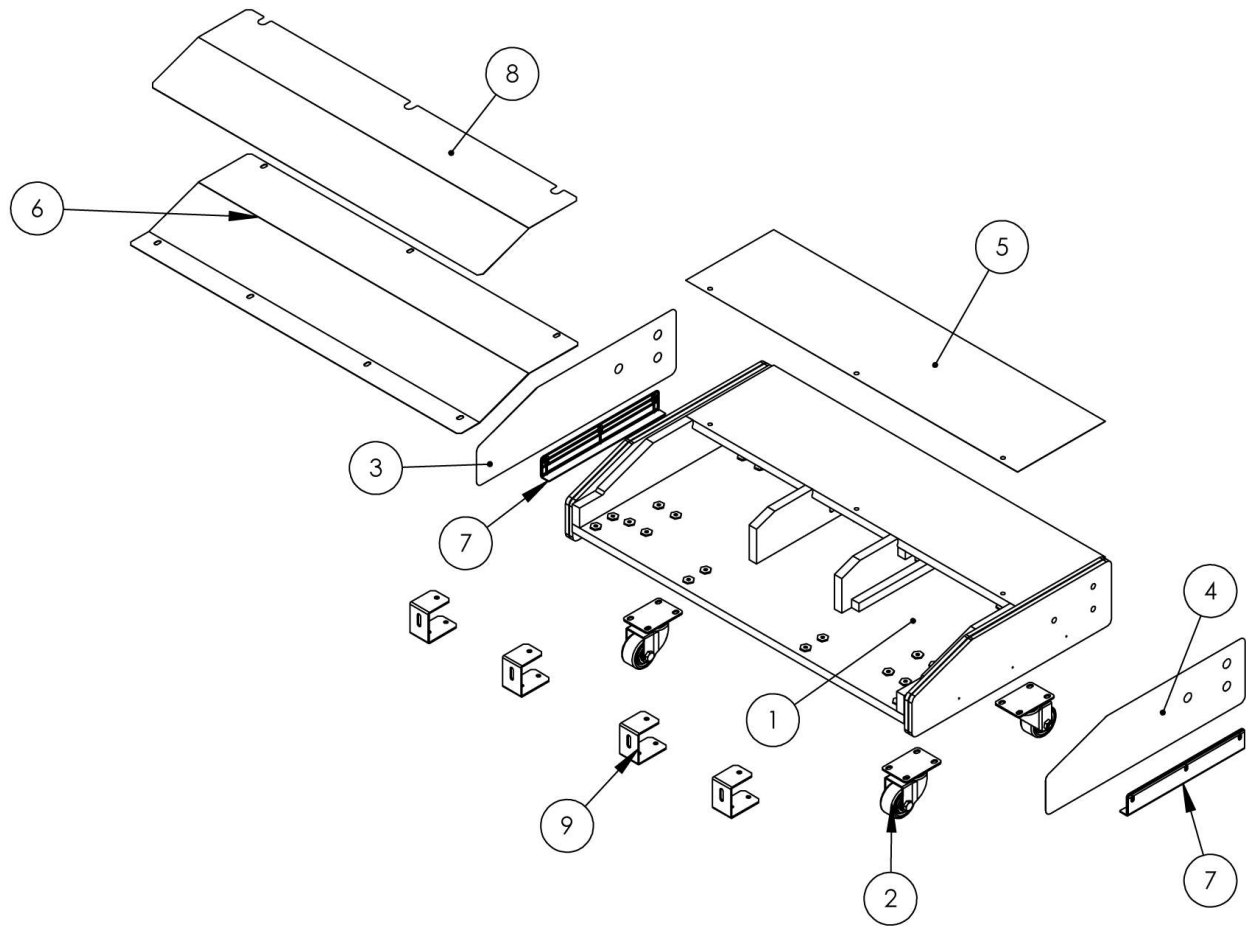
Top Gun Maverick – Throttle Assembly



Top Gun Maverick – Throttle Assembly Part Numbers

Item	Part No.	Description	QTY
1	RAP-123	THROTTLE SUPPORT BRACKET	1
2	R1-1200	INSIDE STOP PAD RETAINER	1
3	R2-1000	ANGLED STOP BLOCK	1
4	R1-1201	OUTSIDE STOP PAD RETAINER	1
5	31-CS250-01-001	SCREW HEX CAP 1/4-20 X 1/4"	3
6	31-MS250-01-020	HEX BOLT ZINC 1/4-20 X 1/2" - GRADE 8	5
7	90-2-108	HUB AND PIN ASSEMBLY - HAPP 04-12643-10	1
8	R2-1001	STOP PLATE	1
9	2-552	KEY 1/8" SQUARE X 1" - STEEL	1
10	2-551	BRONZE THRUST BEARING	2
11	2-550	OILITE BUSHING	2
12	7-183	3/4" GRUBBER GROMMET	1
13	R90-AP-37	FRICTION HINGE	1
14	3-175	FLAT WASHER #10	2
15	31-CS010-01-001	SCREW HEX CAP 10-32 X 1/2"	2
16	90-4-231	LARGE SPUR GEAR	1
17	3-177-1	WASHER FLAT 1/4"	1
18	31-CP006-03-002	SET SCREW 6-32 X .25"	2
19	90-8-317-1	JACKPOT	1
20	3-202	POT WASHER	1
21	32-9101	POT NUT	1
22	90-17-132	SMALL GEAR	1
23	31-CP004-03-002	SET SCREW 4-40 X 3/16"	1
24	R7-1009	STOP PAD	2

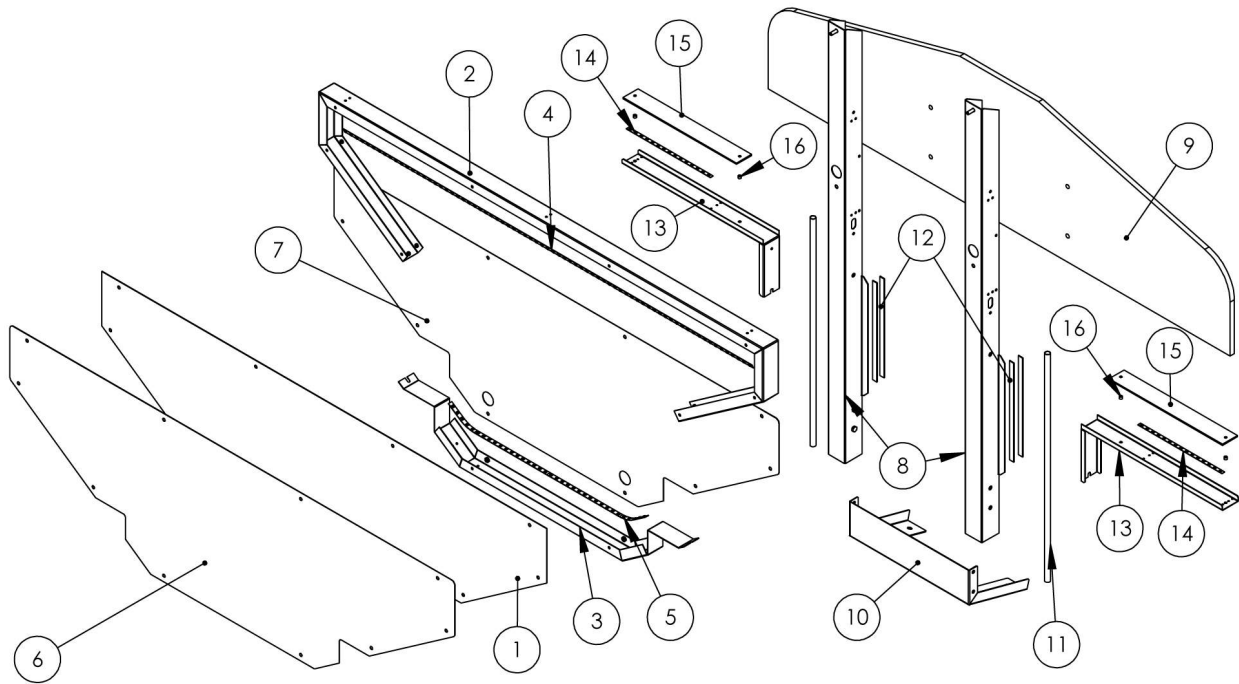
Top Gun Maverick – Spacer Cabinet Assembly



Top Gun Maverick – Spacer Cabinet Assembly Part Numbers

Item	Part No.	Description	QTY
1	R90-12-17	TG-SPACER-CAB-ASSY	1
2	800-00087-01	JULANG - 2.5 INCH CASTER ASSY	4
3	R90-13-114	DECAL-SPACER-LEFT-SIDE-TG	1
4	R90-13-115	DECAL-SPACER-RIGHT-SIDE-TG	1
5	R90-13-116	DECAL-SPACER-TOP-TG	1
6	R1-1222	PLATE-SPACER-ACCESS-TG	1
7	603-01002-01	TMOLDING-CLIP-12INCH-CLEAR	2
8	R90-13-117	DECAL-SPACER-BRACKET-TG	1
9	R1-1221	BRACKET-SPACER-TG	4

Top Gun Maverick – Marquee Assembly



Top Gun Maverick – Marquee Assembly Part Numbers

Item	Part No.	Description	QTY
1	R90-13-123	TRANSLITE-MARQUEE-TG	1
2	R1-1205	BRACKET-TOP-LIGHTBOX-TG	1
3	R1-1206	BRACKET-LIGHTBOX-BASE-TG	1
4	120cm LED Strip (White)	120cm Flexible LED Strip (White)	1
5	160CM-RGB-LED-STRIP	60CM-RGB-LED-STRIP-MARQ-TG	1
6	R4-1045	PETG-MARQUEE-TG	1
7	R4-1046	SINTRA-MARQUEE-TG	1
8	R1-1207	TUBE-LIGHTBOX-TG	2
9	R90-13-133	ULTRABOARD-MARQUEE-PANEL-TG	1
10	R1-1208	BRACKET-TUBE-TG	2
11	ARMORED-CABLE	ARMORED-CABLE	2
12	3M-DUAL-LOCK-.50IN X 10-INCH	3M-DUAL-LOCK-10-INCH	4
13	R1-1314	TG-LED-MARQUEE-BRACKET	2
14	25CM-WHITE-LED-STRIP	25cm Flexible LED Strip (White)	2
15	R4-1055	ACRYLIC-MARQUEE-SIDES-TG	2
16	#8X.188-SPACER	#8 X .375LG SPACER	4

Contact Information

For an authorized distributor near you, visit Raw Thrills at <http://www.rawthrills.com/sales-service>

For service, contact your local distributor or your local Betson office for sales, technical information, warranty or repair. Betson can be reached at (800) 524-2343 Fax (201) 438-4837 www.betson.com

Betson Enterprises Headquarters

303 Paterson Plank Rd.

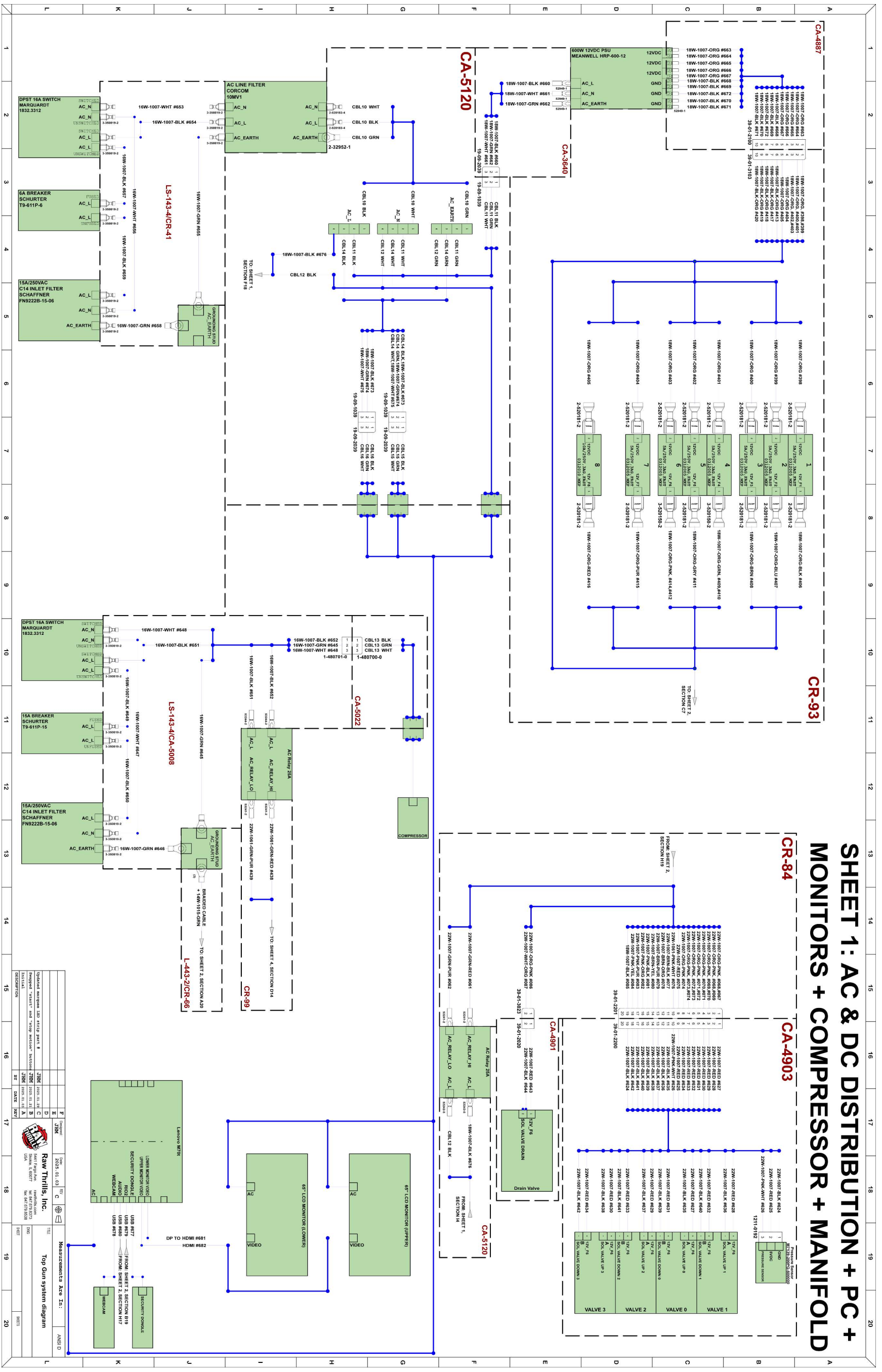
Carlstadt, NJ 07072

(800) 524-2343 or (201) 438-1300

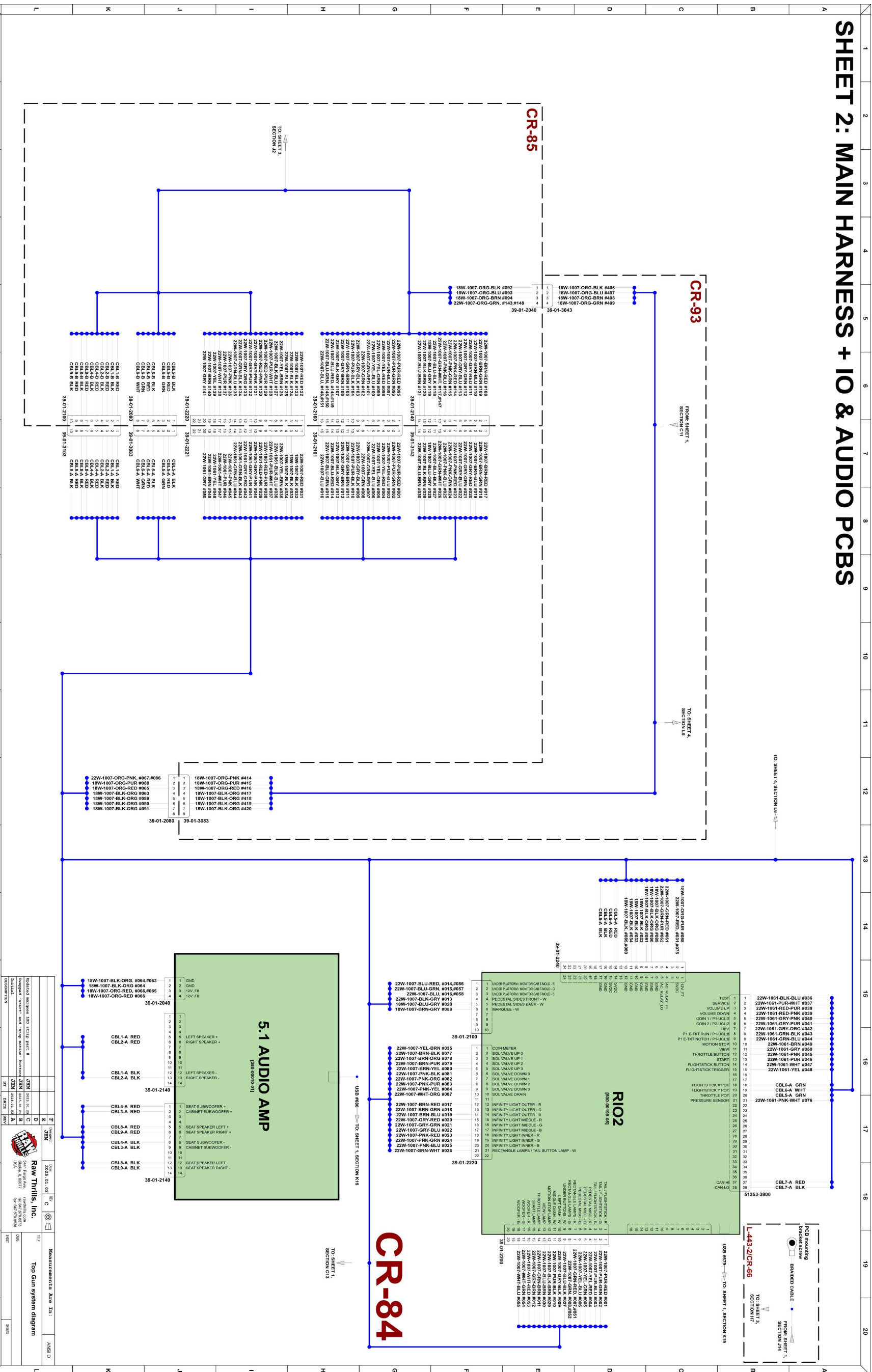
fax (201) 438-4837

System Diagrams

SHEET 1: AC & DC DISTRIBUTION + PC + MONITORS + COMPRESSOR + MANIFOLD



SHEET 2: MAIN HARNESS + IO & AUDIO PCBs



NO.	DESCRIPTION	QTY	UNIT	REVISION
1	5.1 AUDIO AMP	1	PCB	1.0
2	CR-85	1	PCB	1.0
3	CR-93	1	PCB	1.0
4	CR-84	1	PCB	1.0
5	RIO2	1	PCB	1.0
6	5353-3800	1	PCB	1.0
7	1-443-2-CR-06	1	PCB	1.0

Raw Thirlis, Inc.
 2023.01.03
 Top Gun system diagram
 Measurements: Ave. Int.: ANSIO D

