

SERVICE MANUAL



Ver 1.0



ISSUE DATE: June. 19, 2019



- ▶ Please read the manual carefully and keep it in mind before using this machine.
- ▶ Put this manual within touch of your reference in anytime.

PRECAUTIONS FOR USE

The following safety precautions are given throughout this manual. They must be strictly followed to protect those who install, use or maintain this product as well as to protect players, visitors and property.

For safety reasons.

- The following suggestions should be adhered to:



WARNING

Disregarding could result in serious injury.



CAUTION

Disregarding could result in injury or product damage.

- The following graphic suggestions describe the types of precautions to be followed.



Indicates a care should be taken.



Forbidden.



Indicates a matter which must be performed.

- **Precautions to be followed:**

Certain procedures require a qualified in-shop maintenance person or industry specialist.

For such instructions, a qualified person must take care of the jobs.

- Otherwise an electric shock, machine trouble or a serious accident may result.
- Replacing the machine parts, inspecting and maintaining the machines and troubleshooting must be assigned only to a qualified in-shop maintenance person or industry specialist. This booklet gives instructions that hazardous jobs in particular must be handled by an industry specialist. Qualified in-shop maintenance person and industry specialist are defined as follows.

Qualified in-shop maintenance person

- A service staff shall have experience in operations of game machines. The staff shall be responsible for assembly, installation, inspection and maintenance of the machine.

Industry specialist

- An industry specialist must be engaged in designing, manufacturing, inspecting and servicing amusement machines. He or she must have an education in electrical, electronic and mechanical engineering and routinely maintain and repair amusement machines.

PRECAUTIONS FOR USE

WARNING

Be sure to consult an industry specialist when setting up, moving or transporting this product.

- This product should not be set up, moved or transported by any one other than an industry specialist.
- When installing this product, set the 4 leg levelers evenly on the floor and make sure that the product is installed stably in a horizontal position. Unstable installation may result in injury or accident.
- When installing this product, do not apply undue force on movable parts. Otherwise, injury and accident may result, or the product may be damaged.

The machine for indoor usage only does not install outside.



Do not set the game machine up near emergency exits.



Protect the game machine from:

- Rain or moisture.
- Direct sunlight.
- Direct heat from air-conditioning and heating equipment, etc..
- Hazardous flammable substances.
- Otherwise an accident or malfunction may result.



Do not place containers holding chemicals or water on or near the game machine.



Do not place objects near the ventilating holes.



Do not bend the power cord by force or place heavy objects on it.



Never plug or unplug the power cord with wet hands.



Never unplug the game machine by pulling the power cord.



CAUTION

Be sure to use indoor wiring within the specified voltage requirements. For extension cord, use the specified rating or more.

Be sure to use the attached power cord.

Never plug more than one cord at a time into the electrical receptacle.



Do not lay the power cord where people walk through.



Be sure to ground this product.



Do not exert excessive force when moving the machine.




For proper ventilation, keep the game machine 100mm(4") away from the walls.

Do not alter the system related dipswitch settings.

PRECAUTIONS FOR USE


WARNING

If there is any abnormality such as smoke, bad smell or abnormal noise being emitted from the machine, immediately turn OFF the main power switch and unplug the power cord from the receptacle to stop operating it. 

- Using the machine in abnormal conditions could result in fire or accidents.

In case of abnormality

1. Turn OFF the main power switch.
2. Unplug the power cord from the receptacle.
3. Contact your nearest dealer.

Do not leave the power cord plugged in improperly or covered with dust. 

- Doing so could result the power cord periodically.

CAUTION

Do not use this product anywhere other than industrial areas. 

- Using in a residential area or an area next to a residential area could affect signal reception of radios, television sets, telephones and etc..
- Do not give shock the surface of glass products.

- Please do not play this game if
 - When you do drinking;
 - When your physical condition is not normal;
 - When you are in pregnancy;
 - When you have on a pulse controller;
 - When you have recently experienced a cramp or fainting away while watching TV.
- Avoid excessive force/shock while playing/moving the game.
- While do games, pay attention to surrounding.

Do not plug or unplug the power cord with wet hands. 

In handling the power cord, follow the instructions below. 

- | | |
|---|--|
| • Do not damage the power cord. | • Do not modify the power cord. |
| • Do not bend the power cord excessively. | • Do not twist the power cord. |
| • Do not heat the power cord. | • Do not pull the power cord. |
| • Do not bind the power cord. | • Do not stand on the power cord. |
| • Do not sandwich the power cord. | • Do not drive a nail into the power cord. |

If the power cord or power plug becomes damaged, stop using the machine immediately and ask your nearest dealer to replace the parts.

*** Electromagnetic wave may cause unexpected noise from speaker.**

PRECAUTIONS FOR USE

⚠ WARNING

Be sure to turn OFF the main power switch and unplug the power cord from the receptacle before inspecting or cleaning the machine.



When replacing parts, be sure to use parts of the correct specifications. Never use parts other than the specified ones.



Opening inside the machine shall be done by machine specialist only as high electric current is being sent inside. For game machine with monitor, a care should be taken while opening its back door. If not, a damage to the inside parts or the monitor may occur.



If the sub power switch of the service panel is turned OFF without turning OFF the main power switch of the power supply unit, some parts in the units remain live. When opening the back door, be sure to turn OFF the main power switch and unplug the power cord from the receptacle.



Strictly refrain from disassembly and repair of parts which are not indicated in this manual, as well as settings and remodeling.



To clean the game machine, wipe it with a soft cloth dampened in a neutral detergent.

- Using thinner or other organic solvent or alcohol may decompose the material.
- Electrical shock or equipment failure could be caused by water entering the inside of the machine.

⚠ CAUTION

Components in the game are sensitive to vibrations and impact. Care should be used when moving and transporting the game machine.



Be sure not to let the machine tip over.

Before moving the machine, be sure to turn OFF the main power switch, unplug the power cord from the receptacle and remove the power cord from the machine.



Before moving take the machine, off the levelers and move it on the casters.

Avoid excessive force while moving the machine.

.....

PRECAUTIONS IN HANDLING

- When setting up, inspecting, maintaining, moving or transporting this product, follow the procedures and instructions set forth in this manual and perform such work safely.
- Do not set up, handle, inspect, maintain, move or transport this product under conditions equivalent to the condition of "WARNING" or "CAUTION" specified in this manual.
- If a new owner is to have this product as a result of transfer, and etc., be sure to give this manual to the new owner.

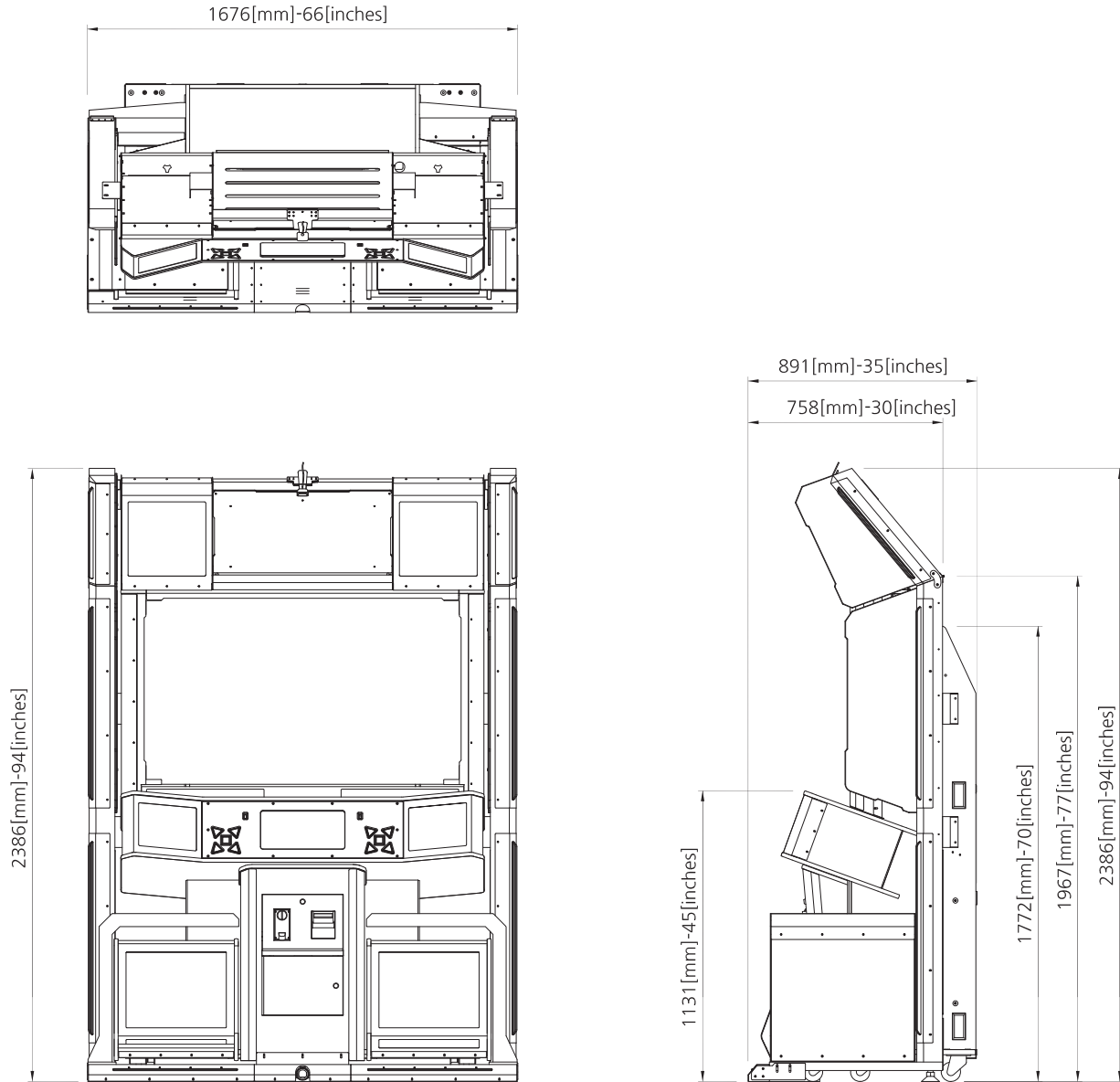
CONTENTS

1. SPECIFICATION AND DIMENSIONP03	6-10. BILLBOARD LED ERRORP39
1-1. DIMENSIONP03	6-11. MIDDLE LED PCB ERROR_CENTER (all)P40
1-2. SPECIFICATIONP03	6-12. MIDDLE LED PCB ERROR_L,R (all)P41
1-3. NAME OF PARTSP04	* MIDDLE LED PCB ERROR (part)P42
1-4. STICKER LOCATIONP05	6-13. BILLBOARD LED PCB ERROR (all)P43
1-5. COMPONENTSP06	* BILLBOARD LED PCB ERROR (part)P44
2. INSTALLATIONP07	6-14. BOTTOM LED PCB ERROR (all)P45
2-1. INSTALLATION SPACEP07	6-15. SIDE L LED ERROR (all)P46
2-2. HOW TO INSTALLP08	6-16. SIDE R LED ERROR (all)P48
3. GAME CHARACTERISTICSP10	6-17. WOOFER BOX L LED ERROR (all)P50
4. HOW TO USE AM.NET SERVICEP10	6-18. WOOFER BOX R LED ERROR (all)P52
5. SETUP MENUP11	* COMMON_LED PCB ERROR (part)P54
5-1. SYSTEM INFOMATIONP12	* IF ALL THE COLOR LEDS ARE NOT LIGHT ONP55
5-2. I/O TESTP13	* WHEN THE COLOR LED IS LIT ONLY IN RED, GREEN, BLUE, AND WHITEP55
5-3. GAME SETTINGP18	* WHEN THE COLOR LED IS ONLY LIT IN WHITE, BLUE, OR OFFP56
5-4. CREDIT SETTINGP19	6-19. WHEN THE WHITE LIGHT AND THE BLUE LIGHT COME OUT ONLY OCCASIONALLY (EQ malfunction)P57
5-5. USB DRIVEP20	6-20. SOUND ERRORP58
5-6. CARD READERP21		
5-7. SOUND SETTINGP22		
5-8. BOOKKEEPINGP23		
5-9. STATISTICSP24		
5-10. RESTRICTIONP25		
5-11. FACTORY SETTINGP26		
6. TROUBLESHOOTINGP27		
6-1. MONITORP27		
6-2. BUTTONP28		
6-3. STEP SENSORP29		
6-4. STEP LEDP30		
6-5. COIN SELECTORP31		
6-6. WHEN INTERNET COMMUNICATION DOES NOT WORKP33		
6-7. USB ON/OFF ERRORP34		
6-8. CARD READER ERRORP36		
6-9. WEB CAM ERRORP38		

7. EXPLODED VIEWP60
7-1. MAIN CABINET PARTP60
7-2. POWER BASE PARTP61
7-3. COIN DOOR CASE PARTP62
7-4. SETUP PANEL PARTP63
7-5. MONITOR PARTP64
7-6. PC BASE PARTP65
7-7. PCB BASE PARTP66
7-8. AC INPUT PARTP66
7-9. LAN CABLE PARTP66
7-10. MID SPEAKER SIDE COVER L,R PARTP67
7-11. SPEAKER DECO PARTP68
7-12. WOOFER SPEAKER COVER L,R PARTP69
7-13. LIGHT COLUME L PARTP70
7-14. MID SPEAKER FRONT COVER PARTP71
7-15. BILLBOARD PARTP72
7-16. BASE LIGHT DECO PARTP73
7-17. [OPTION] POP PARTP74
* HOW TO REPLACE THE MONITORP75
8. BLOCK DIAGRAMP77

1. SPECIFICATION AND DIMENSION

1-1. DIMENSION

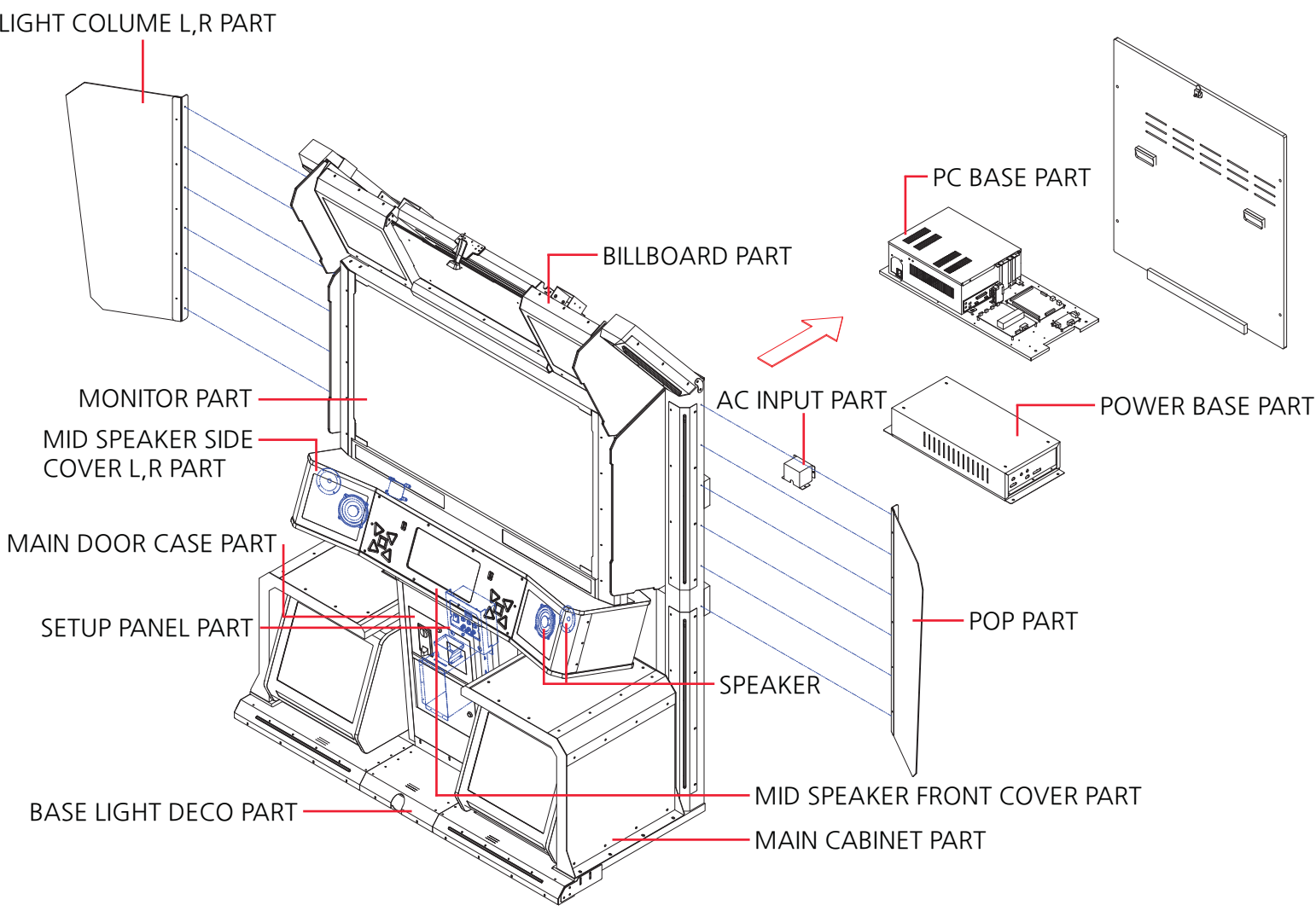


1-2. SPECIFICATION

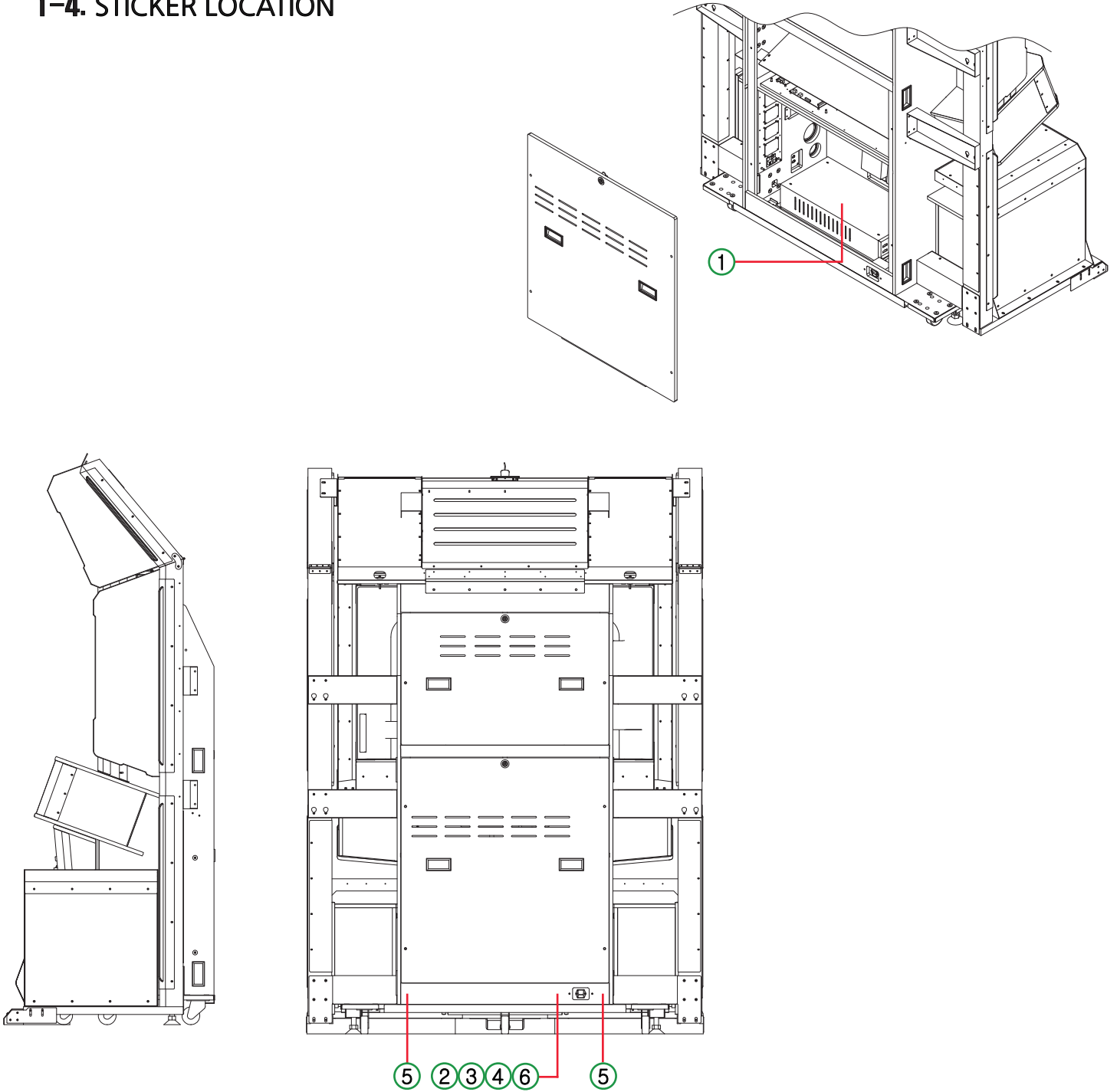
DIMENSION (W x D x H)	1676 x 891 x 2386 (mm)
PACKING DIMENSION (W x D x H)	1150 x 1750 x 2120 (mm)
WEIGHT (kg)	365 kg [WEIGHT INCLUDING : 400 kg] PACKAGING]
VOLTAGE	AC 120V
FREQUENCY RANGE	60Hz
CONSUMPTION	650 W

* The 120V voltage specification is for the Americas only, and the 230V (50/60Hz) voltage specifications are for other countries.

1-3. NAME OF PARTS



1-4. STICKER LOCATION



1

⚠ WARNING/ATTENTION	
	Except service personal, please never open the product as there is a risk of electric shock.
	Il y a un risque d'électrocution, n'ouvrez pas le produit excepté le responsable, s'il vous plaît.

2

⚠ CAUTION/PRUDENCE	
"For continuous protection against risk of fire, replace only with the same type 10A-250V fuse"	
"Pour une protection continue contre les risques d'incendie, remplacer un fusible avec seulement le même type 10A-250V"	

3

4

WARNING ROCKING, SHAKING, OR TIPPING MAY CAUSE INJURY OR DEATH! This unit must be fastened securely to the wall, floor or adjacent object in compliance with the installation instructions.	
ATTENTION AGITER, SECOUER OU BASCULER PEUT CAUSER DES BLESSURES OU ENTRAINER LA MORT! Cette unité doit être fixée au mur, au plancher ou à un objet à proximité conformément aux instructions d'installation.	

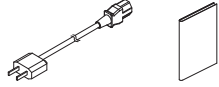













5

NOTICE	
FORK ↓	

6

Certification Label

1-5. COMPONENTS

NO.	PART NAME	SPEC.	QTY
1	AC POWER CORD, MANUAL	- 	Each 1
2	KEY	6001, 7001 	2
3	WIRING	- 	1
4	CONNECTOR BRACKET-[STEP]	- 	1
5	JOINT BRACKET	- 	2
6	STEP STICKER	- 	1
7	WRENCH	4mm, 6mm, 8mm 	Each 1
8	BOLT	M4x8L 	15
9	BOLT	M4x16L 	8
10	BOLT	M6x16L 	14
11	BOLT	M6x20L 	6
12	BOLT	M8x15L 	18
13	BOLT	M10x16L 	20
14	REMOTE CONTROL	- 	1

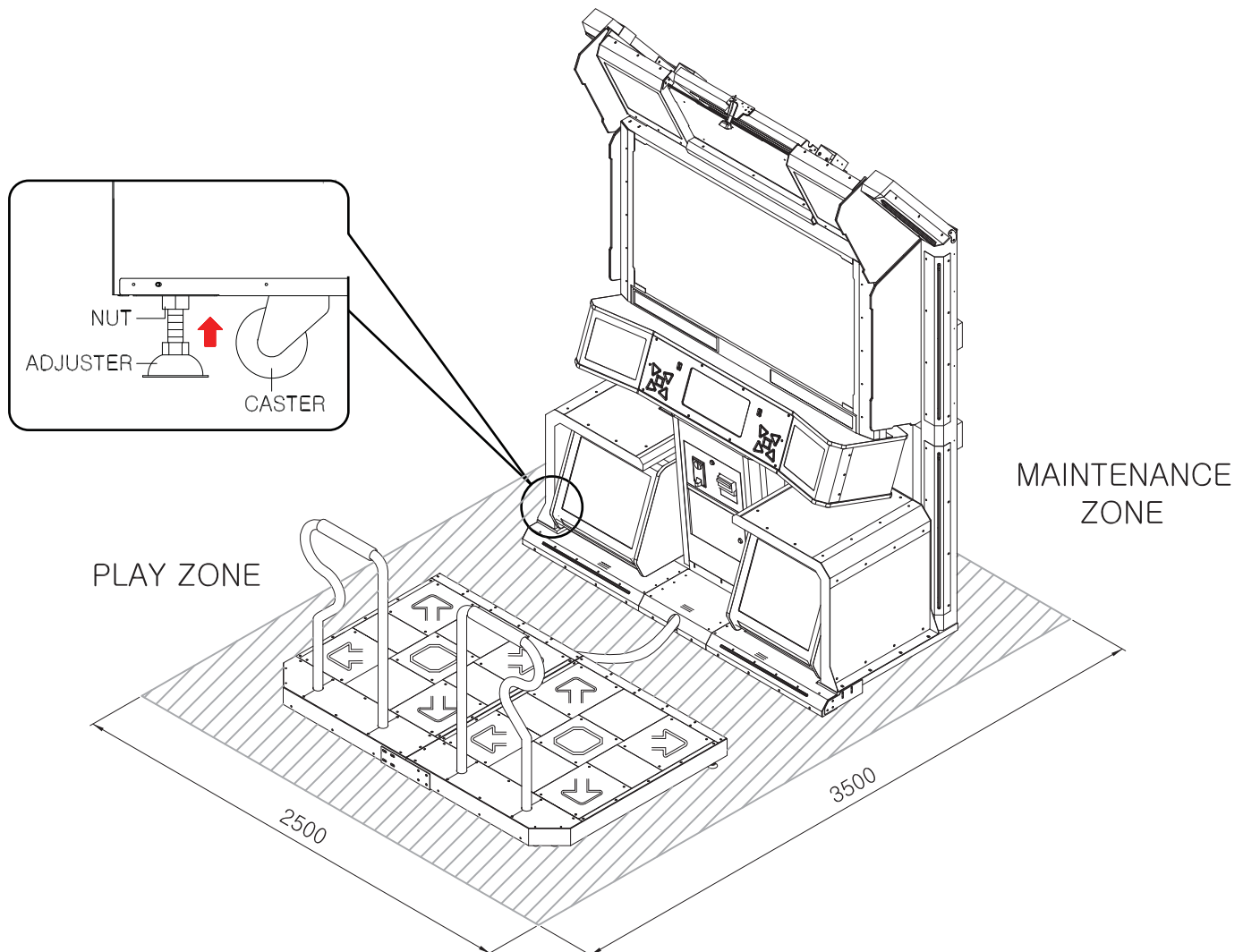
2. INSTALLATION

2-1. INSTALLATION SPACE

- Need to have installation place.
Maintenance Zone & Play zone should have at least 2500mm x 3500mm each.

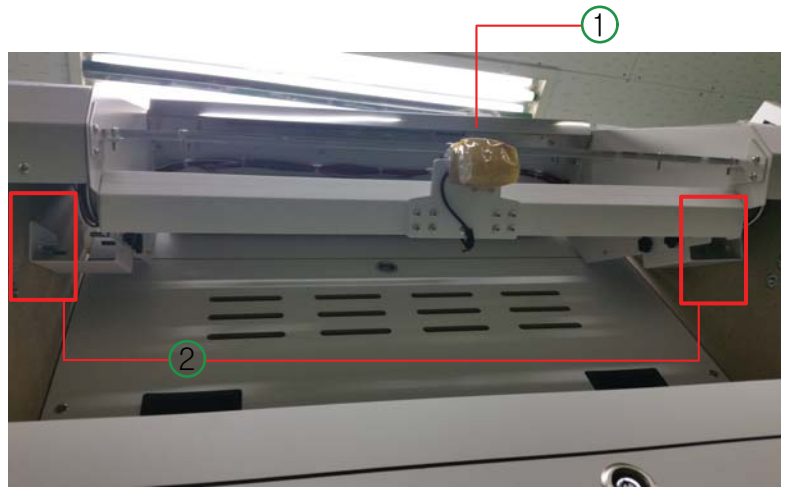
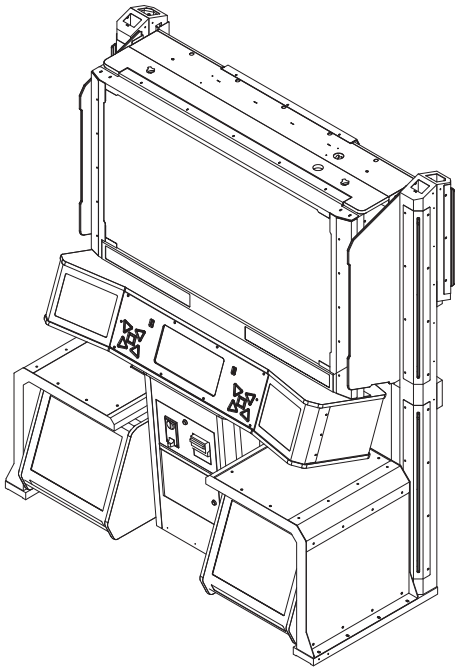
IMPORTANT

- Once you set up the machine with required game-play area, when installing this product, set the 4 leg levelers evenly on the floor and make sure that the product is installed stably in a horizontal position. Otherwise the set winning percentage can be twisted.



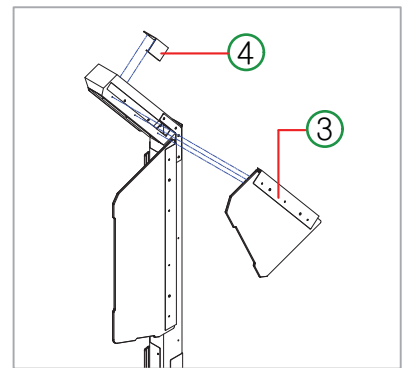
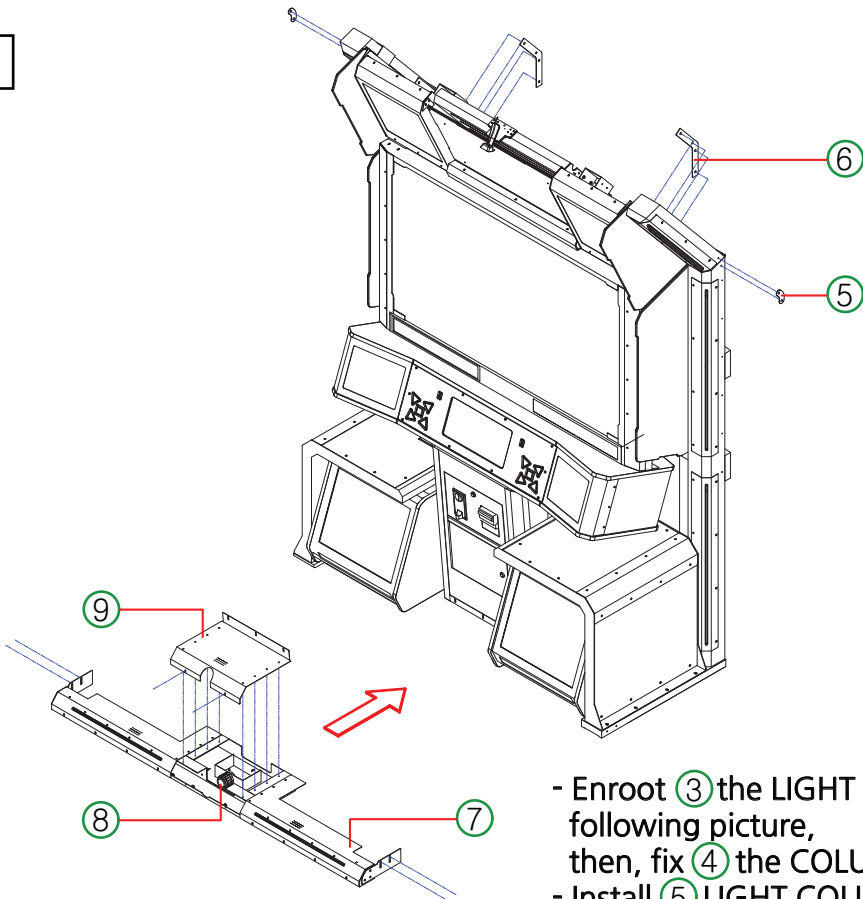
2-2. HOW TO INSTALL - BILLBOARD & BASE LIGHT DECO

1



- ① The billboard is fixed to the backside by hinge when it released as following picture.
Release ② hand Bolts(4 pcs) following display parts in the picture, then install the billboard.

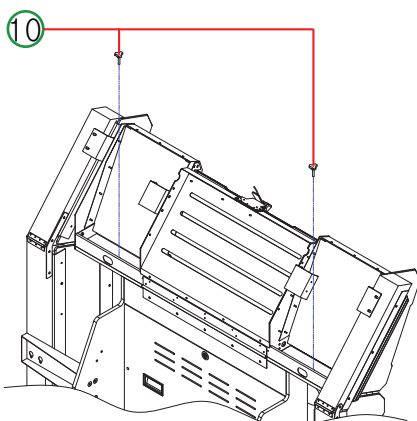
2



- When assembling ③, connect a connector.

- Enroot ③ the LIGHT COLUME L and R[M4 Bolt, 3pcs each] as following picture, then, fix ④ the COLUME REAR FIX BKT.
- Install ⑤ LIGHT COLUMN FOLDING BKT and ⑥ LIGHT COLUMN FOLDING LARGE BKT.[M4 bolt, 6pcs each]
- then, assemble ⑦ BASE LIGHT DECO ASS'Y to CABINET. [M6 bolt, 4pcs]
- after connect the foot connector used by ⑧ HARNESS COVER
- Enroot the ⑨ BASE LIGHT DECO CENTER COVER BKT. [M4 bolt, 13pcs each]

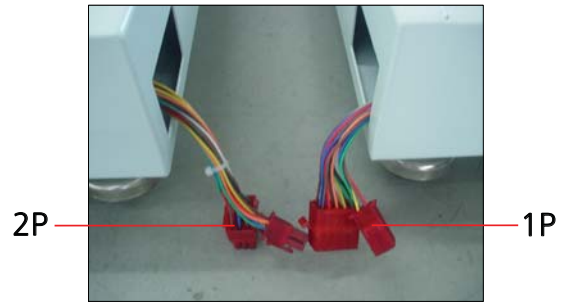
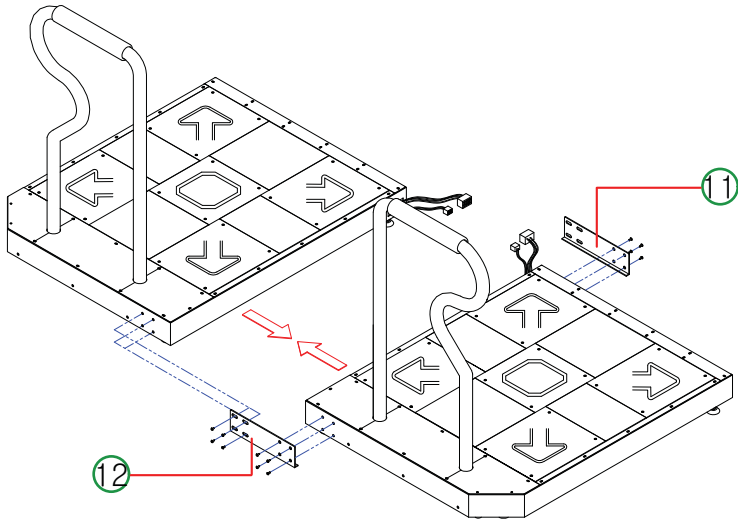
3



- At the last step, Complete the billboard assembly with ⑩ [M6 bolt, 2pcs] as following picture.

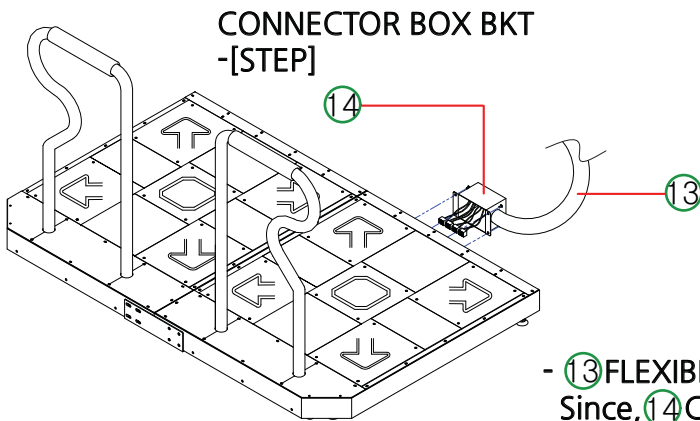
- STEP

4



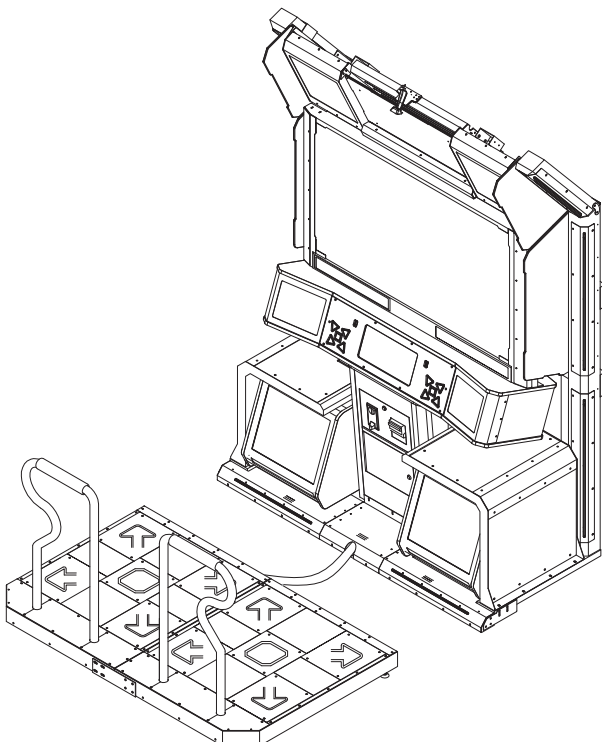
- As shown in Figure A left and right feet of the 1P and 2P is connected to the connector. M8 bolts to 11 12 JOINT BRACKET (16 points) is fixed by.

5



- 13 FLEXIBLE TUBE is connected to the connector body and feet. Since, 14 CONNECTOR BOX BRACKET-[STEP] connection. Bolt M6 (4 points)

6

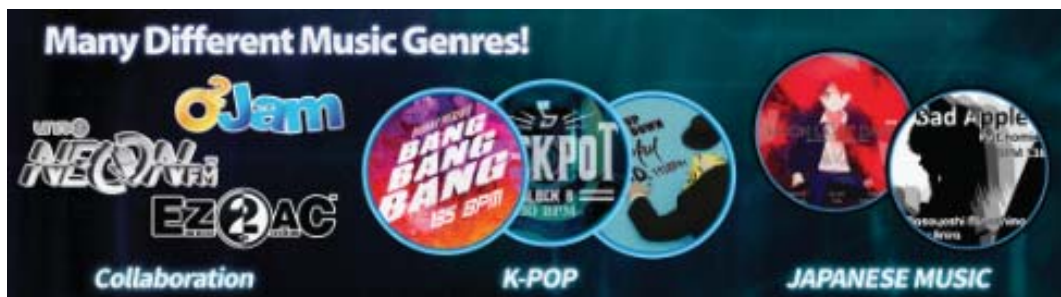


- Finish it as like 5 picture.

3. GAME CHARACTERISTICS

- 3-1. New brilliant light show, upgrades any location!
- 3-2. Unleash the Wall of Sound with 4 speakers and 2 subwoofers.
- 3-3. HD Graphics Pop on a Giant 55" Screen.
- 3-4. Consistent Revenue with AM.PASS card(PIU login card)
- 3-5. Collaboration

- 1. We put a lot of music in various genre by collaboration with international popular
- 2. This is the most biggest scale of PIU history by adopting songs of popular K-POP line ups and famous composers.



3-6. Regular update

- 1. By the strong point of network system, regular new songs & contents update can be appealed to casual and mania players.
- 2. By grand update, which is first time concept we try, the name will be changed from PRIME 2 2017 to PRIME 2 2018 as well as game title logo. Moreover, enhanced graphics and big amount of new songs & contents update will make the people to feel the machine as a new product. That will lead users to the game center again.

4. HOW TO USE AM.NET SERVICE

- 1. You can only use AM.NET service while the machine is online. songs & contents update can be appealed to casual and mania players..
- 2. You can buy AM.PASS card from the game center which is installed card reader. You can use AM.NET service right away. You can use AM.NET service by AM.PASS card providing by Andamiro.
- 3. When you first use the AM.NET service, you have to register the AM.PASS card. Please register the AM.PASS card at www.piugame.com.

* There might be 1 min ~ 2 mins waiting time when you power on the machine.

5. SETUP MENU

Setup the machine proper for your own game center.

Test the hardware and set options before using game.

* Press the "Test" button located in the service box at any time.
The Service Options menu will appear.

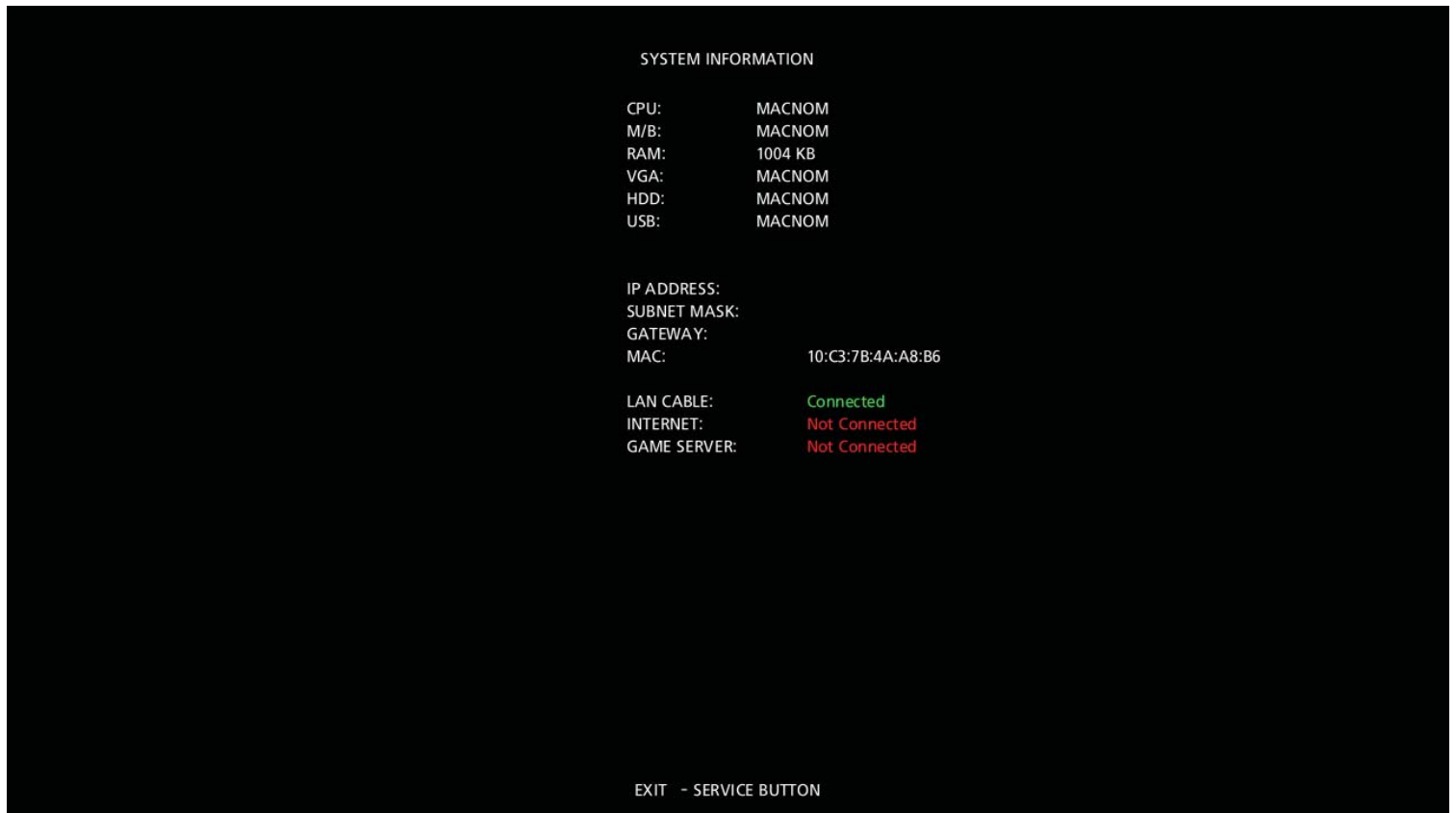
* Moving menu items : TEST Button, CLEAR Button
Selection of menu items : SERVICE Button



- SYSTEM INFORMATION : CHECK SPEC INFO AND INTERNET CONNECTION
- IO TEST : CHECK THE FUNCTION OF IN/OUT DEVICE
- GAME SETTING : SET UP FOR GAME
- CREDIT SETTING : SET UP FOR CREDIT
- USB DRIVE : SET UP FOR USB DRIVE
- CARD READER : SET THE CONDITIONS OF READER
- SOUND SETTING : SET UP FOR GAME SOUND
- BOOKKEEPING : DISPLAY THE SALES LEDGER LIKE INSERTED COIN
- STATISTICS : CHECK THE PLAYER'S FAVORITE
- RESTRICTION : SET UP FOR SONG'S SOURCE
- FACTORY SETTING : INITIALIZING WITH FACTORY SETTING VALUE

5-1. SYSTEM INFORMATION

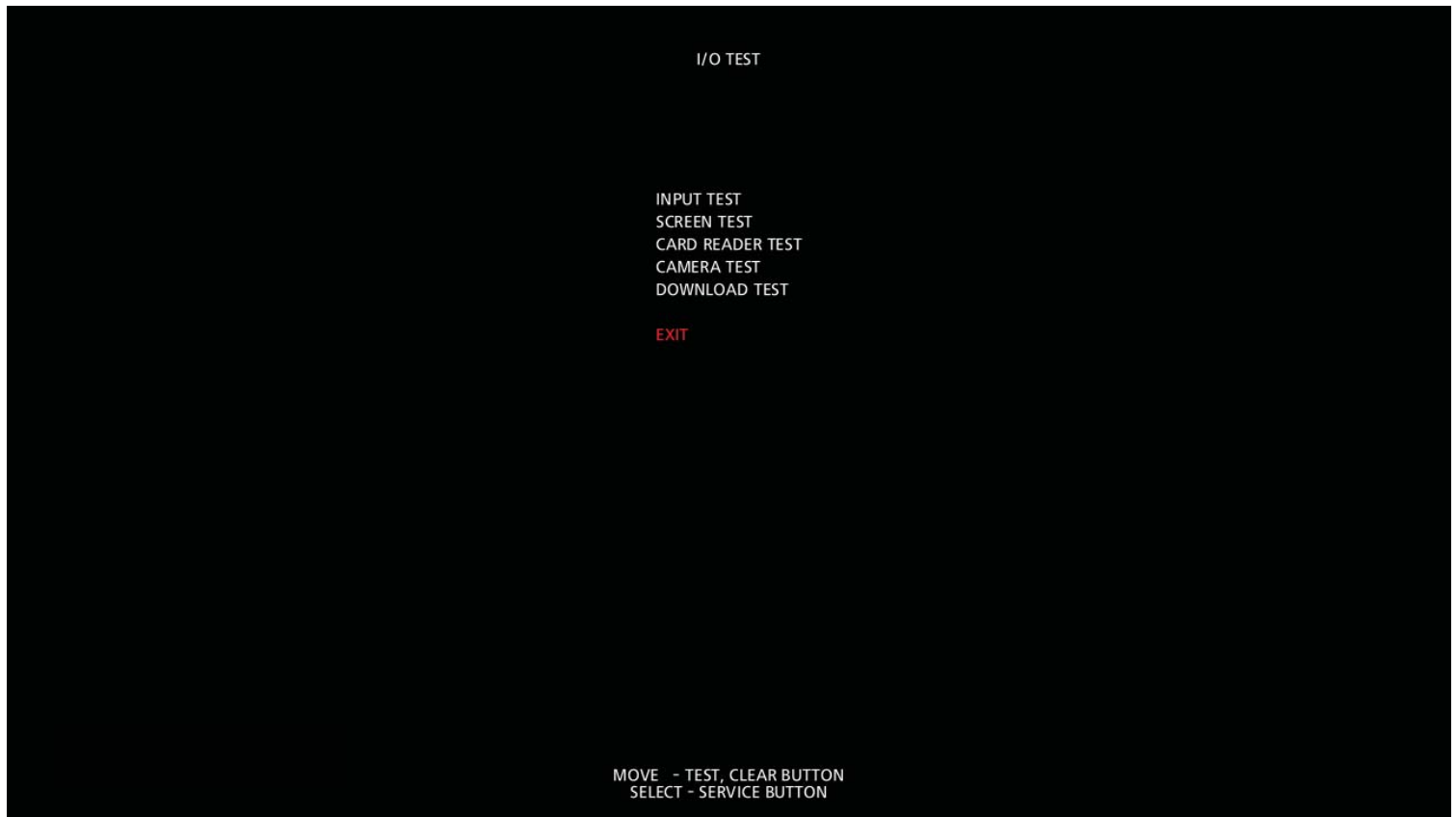
- CHECK SPEC INFO, INTERNET CONNECTION INFO AND STATUS OF MACHINE



- CPU : CHECK CPU INFO
- M/B : CHECK MAINBOARD INFO
- RAM : CHECK RAM INFO
- VGA : CHECK GRAPHIC CARD INFO
- HDD : CHECK HARD DISC INFO
- USB : CHECK USB INFO
- IP ADDRESS : CHECK IP ADDRESS INFO
- SUBNET MASK : CHECK SUBNET MASK INFO
- GATE WAY : CHECK INTERNET CONNECTION STATUS
- MAC : MAC ADDRESS INFO (EN)
- LAN CABLE : CHECK INTERNET CONNECTION STATUS
- INTERNET : CHECK INTERNET CONNECTION STATUS
- GAME SERVER : CHECK SERVER CONNECTION STATUS

5-2. I/O TEST

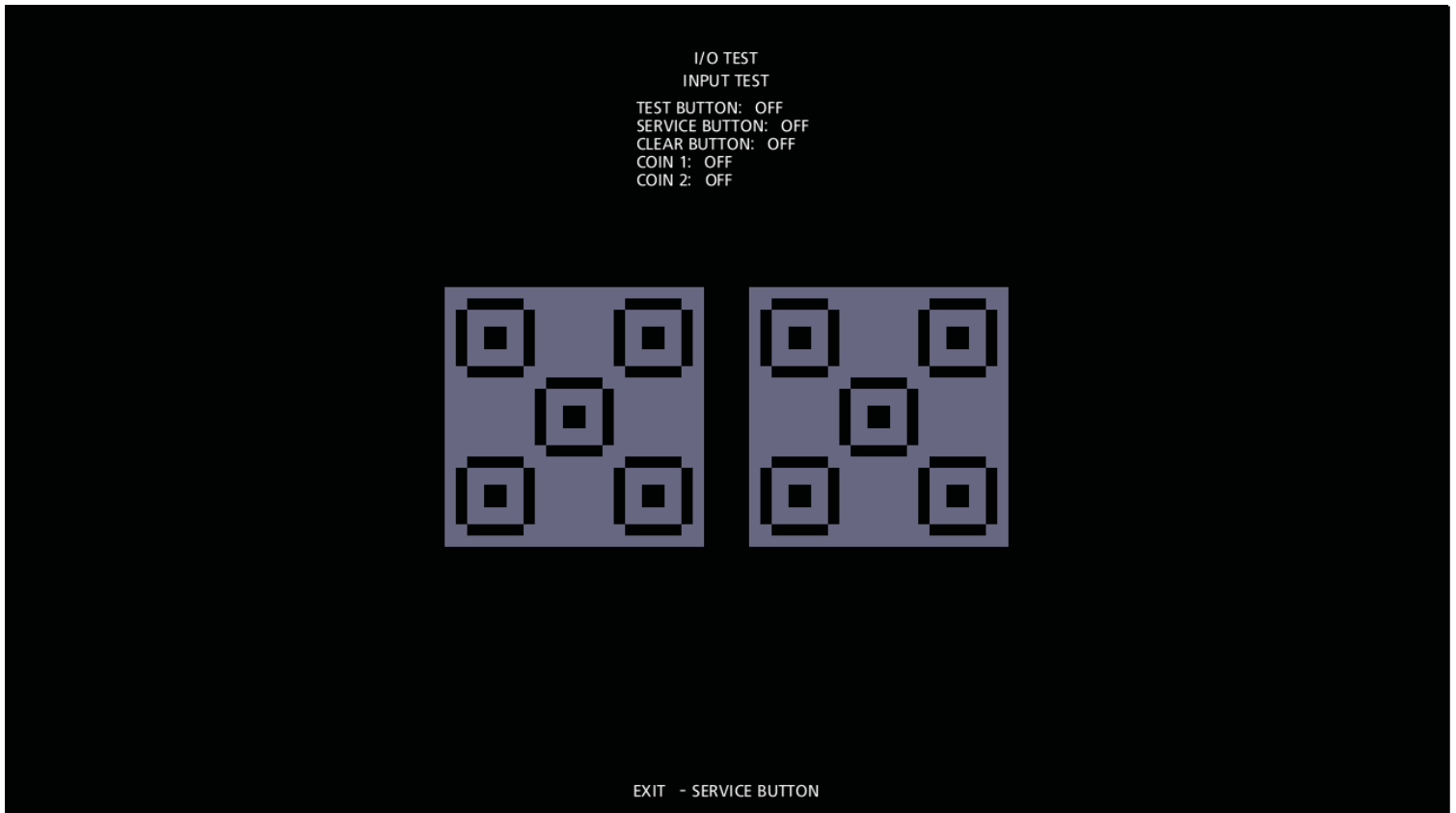
- CHECK EVERY BUTTON AND STEP SENSOR, COIN SELECTOR, MONITOR SCREEN, CARD READER AND CAMERA



- INPUT TEST : CHECK EACH BUTTON AND STEPS SENSOR, COIN SELECTOR MOVEMENT
- SCREEN TEST : CHECK COLOR DISPLAY STATUS OF MONITOR AND BAD PIXEL
- CARD READER TEST : CHECK THE CONNECTION AND PERCEIVING STATUS OF CARD READER
- CAMERA TEST : CHECK THE STATUS OF IMAGE THAT CAMERA IS PHOTO GRAPHING
- DOWNLOAD TEST : CHECK AVERAGE DOWNLOAD SPEED

- INPUT TEST

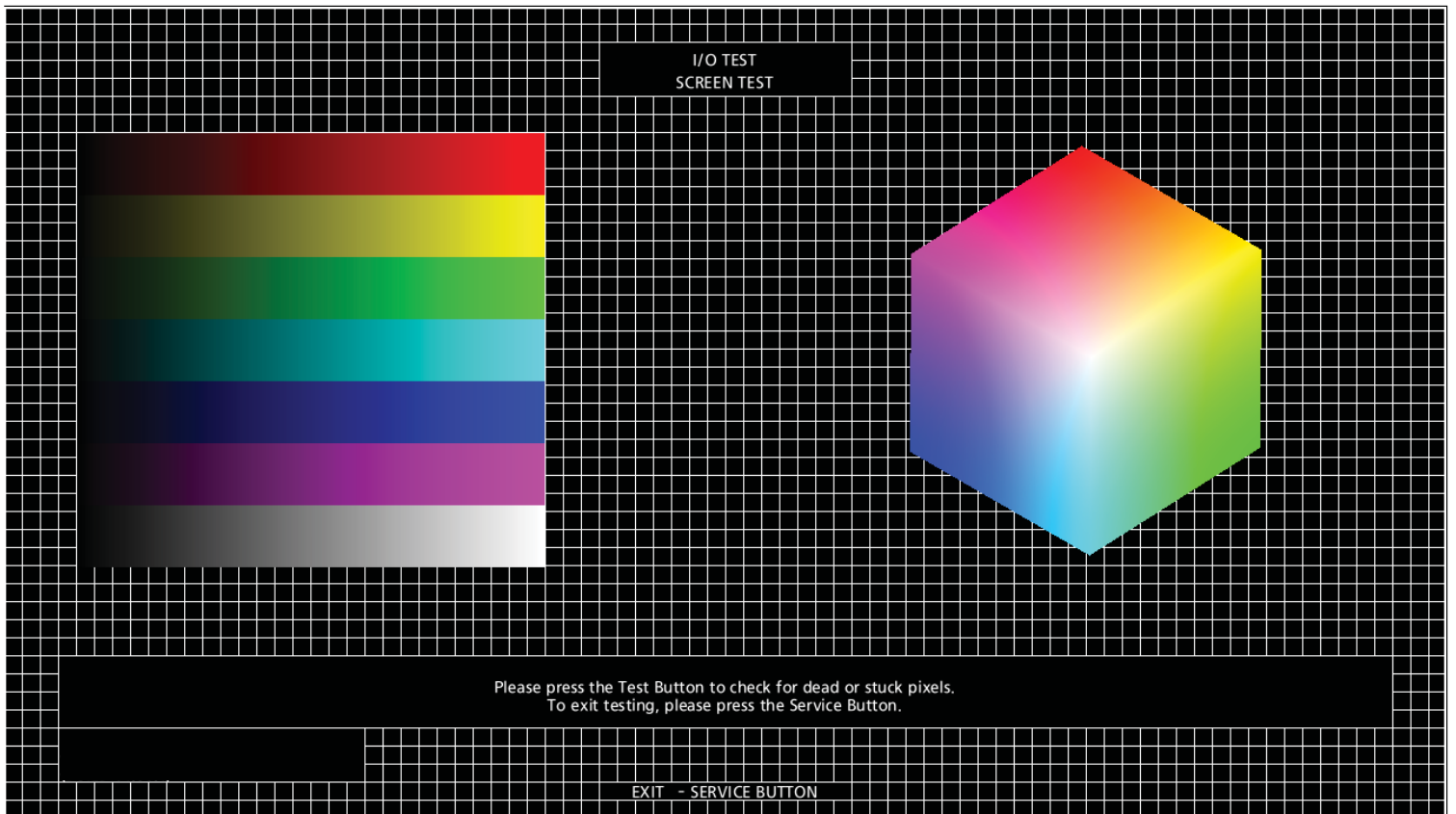
- CHECK EACH BUTTON AND STEPS SENSOR







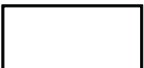

- TEST BUTTON : PUSH BUTTON, OFF BECOMES ON
- SERVICE BUTTON : PUSH BUTTON, OFF BECOMES ON
- CLEAR BUTTON : PUSH BUTTON, OFF BECOMES ON
- COIN1 : INSERT COIN, OFF BECOMES ON
- COIN2 : INSERT COIN, OFF BECOMES ON

- SCREEN TEST

- CHECK THE COLOR DISPLAY AND BAD PIXELS

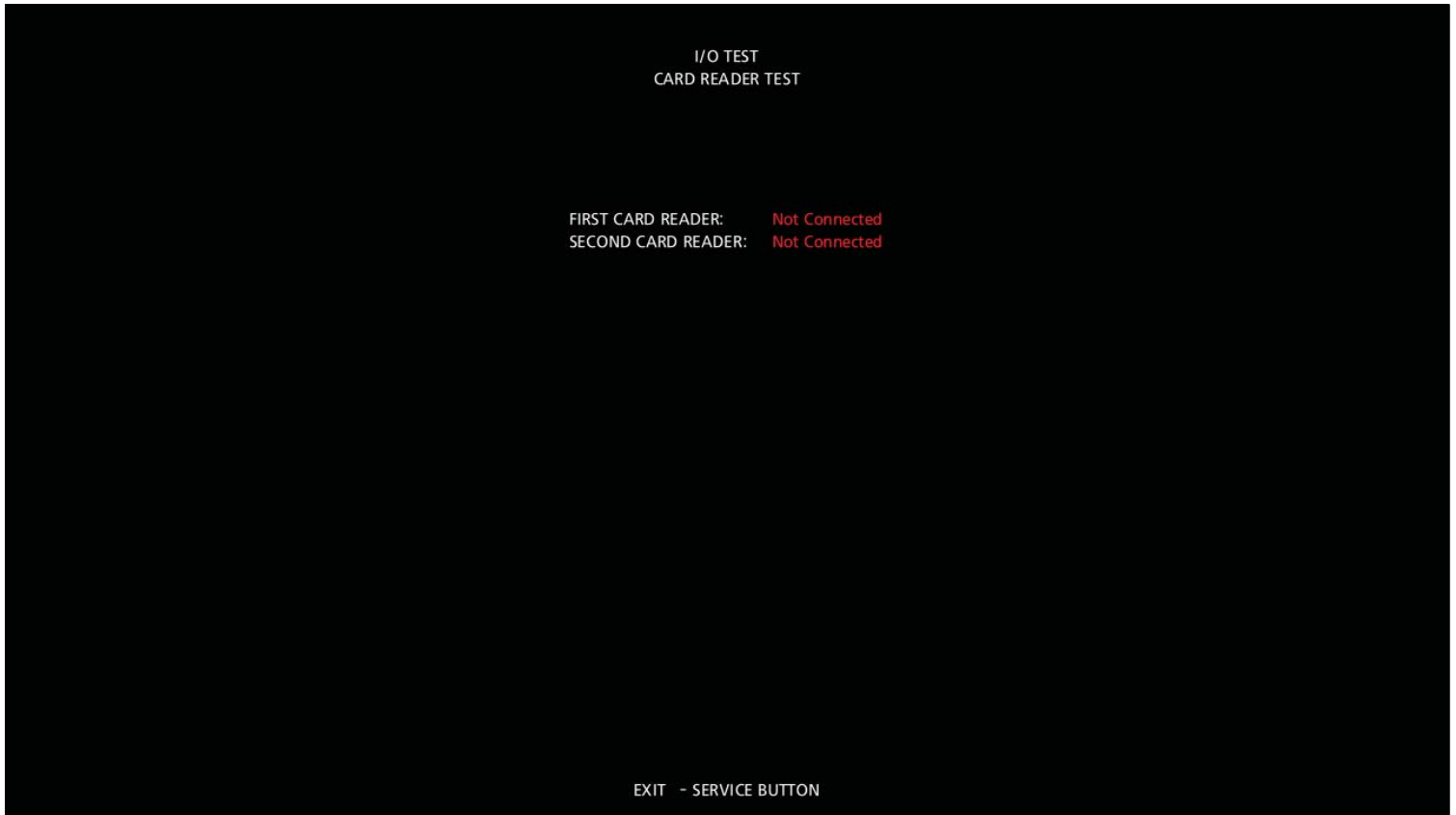


- BY PUSHING TEST BUTTON, YOU CAN CHECK AS BELOW.

	SCREEN TEST DISPLAY
	SCREEN IS FILLED WITH RED COLOR
	SCREEN IS FILLED WITH GREEN COLOR
	SCREEN IS FILLED WITH BLUE COLOR
	SCREEN IS FILLED WITH WHITE COLOR
	SCREEN IS FILLED WITH BLACK COLOR

- CARD READER TEST

- CHECK THE PERCEIVING STATUS OF CARD READER



- NOT CONNECTED : CARD READER IS NOT CONNECTED TO THE MACHINE
- CONNECTED : CARD READER IS CONNECTED TO THE MACHINE
- OK : CARD READING IS BEING PERCEIVED BY CARD READER

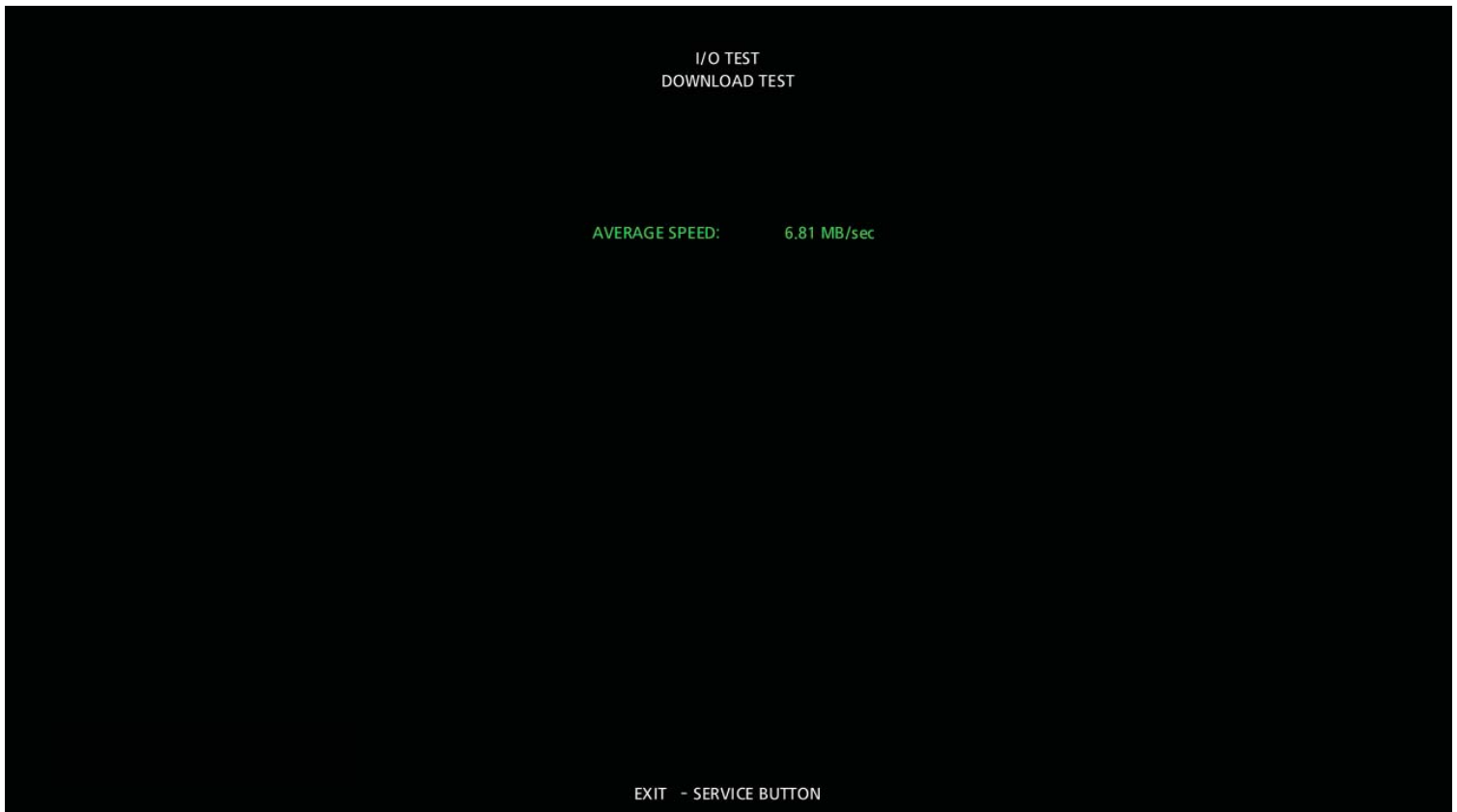
- CAMERA TEST

- CHECK THE STATUS OF IMAGE THAT CAMERA IS PHOTOGRAPHING



- DOWNLOAD TEST

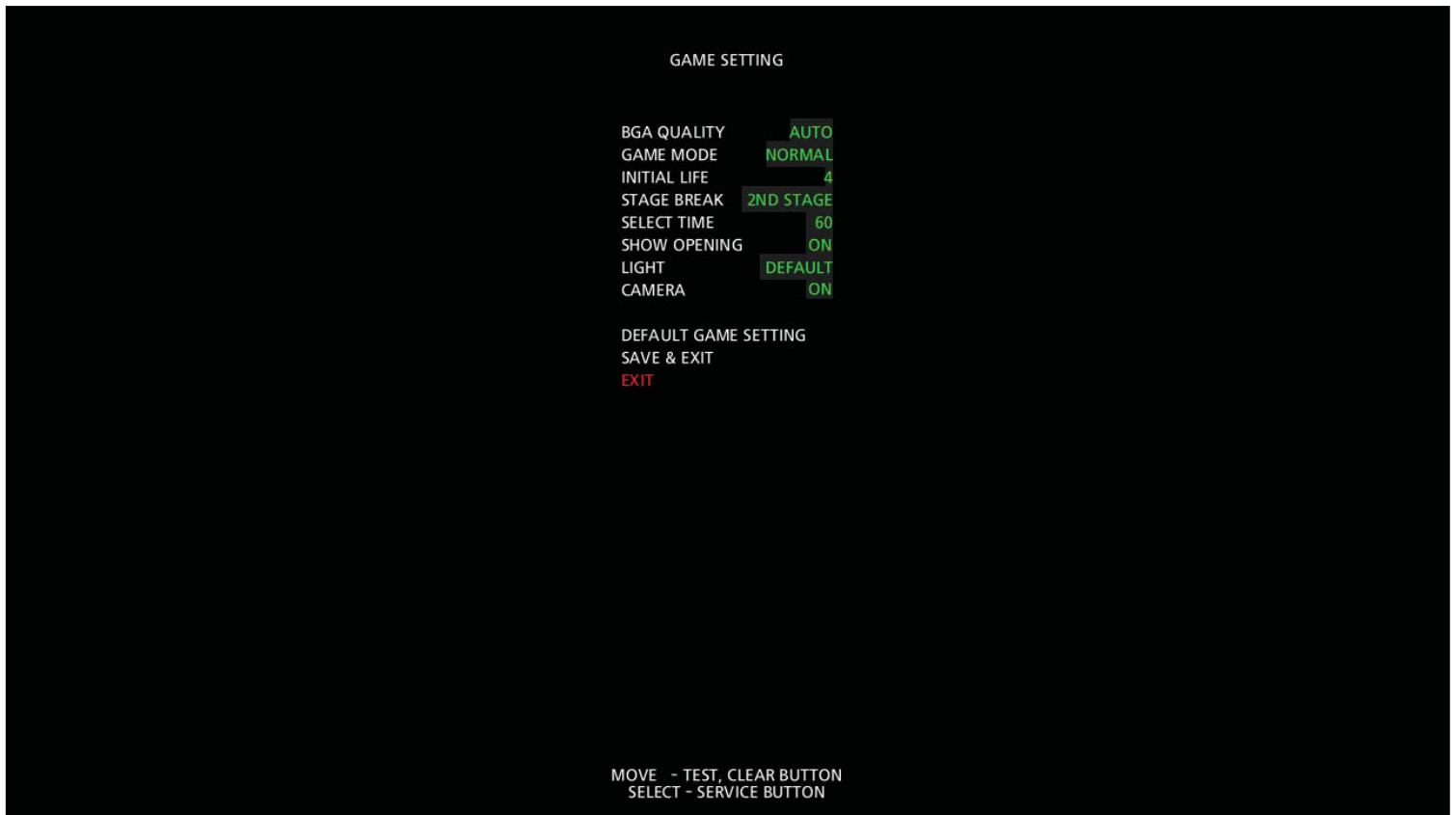
- CHECK AVERAGE DOWNLOAD SPEED OF CONNECTED INTERNET



- TEST IS NOT AVAILABLE INTERNET IS NOT CONNECTED

5-3. GAME SETTING

- YOU CAN CHANGE VARIOUS SETTING IN GAME



- BGA QUALITY : CHANGE GAME BGA QUALITY

AUTO [Automatically set the quality according to the machine]
HIGH [Set BGA quality as high]
LOW [Set BGA quality as low]

- GAME MODE : CHANGE GAME MODE

- INITIAL LIFE : CHANGE LIFE NUMBERS ON GAME START

* The more hearts you have, the longer you play the game.

- STAGE BREAK : CHANGE STAGE BRAKE APPLYING TIME

- SELECT TIME : CHANGE SELECTING SONG TIME

- SHOW OPENING : ON AND OFF OPENING DISPLAY

- LIGHT : CHANGE PATTERNS OF LED LIGHT

[Default, Rainbow, Red, Yellow, Blue, White, Orange, Green, Purple]

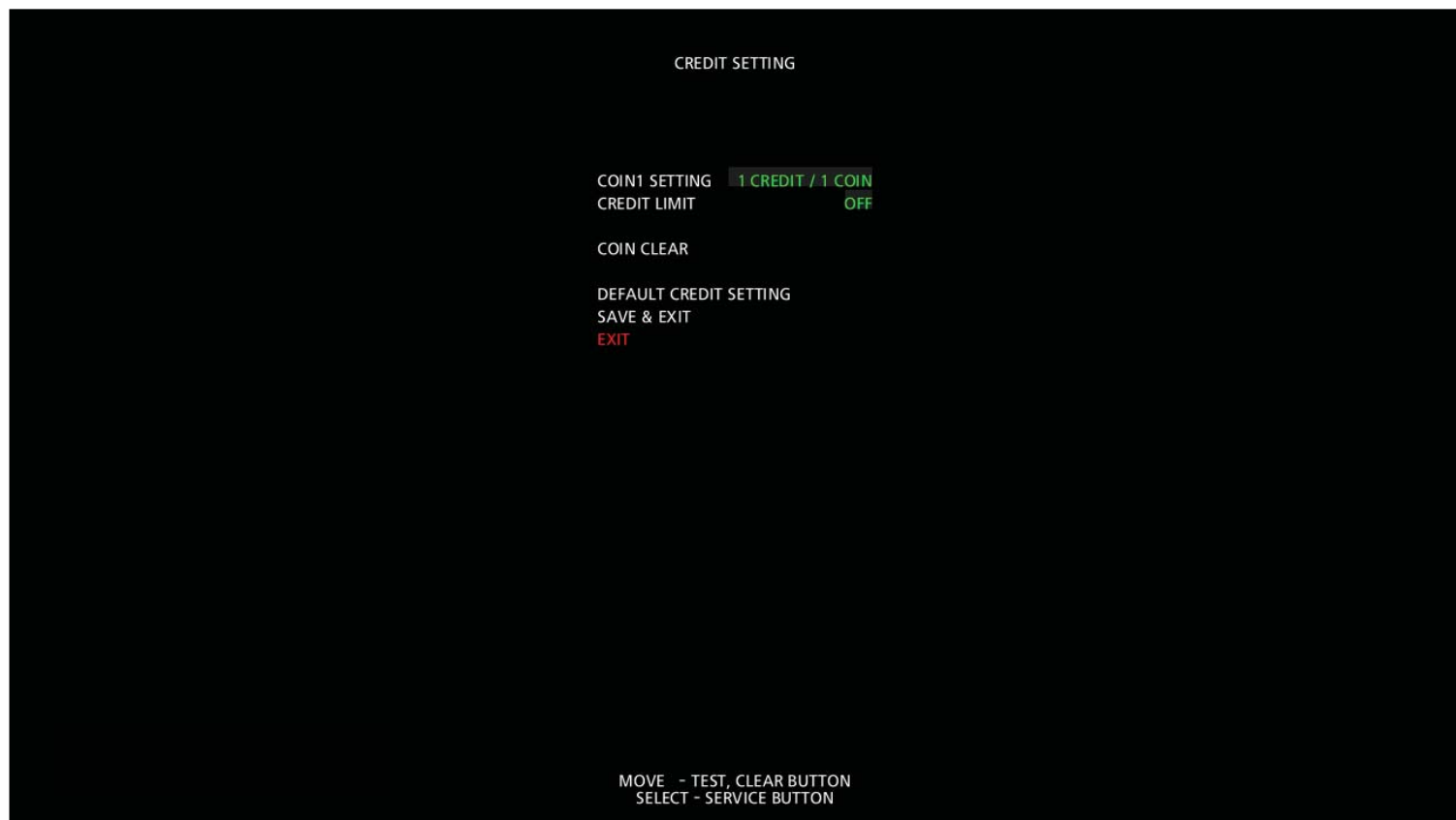
- CAMERA : ON/OFF CAMERA FUNCTION

- DEFAULT GAME SETTING : INITIALIZE GAME SET UP VALUE

- SAVE & EXIT : SAVE THE SET UP VALUE AND EXIT THE MENU

5-4. CREDIT SETTING

- SET COIN NUMBERS FOR PLAYING, LIMIT AND MODE



- COIN1 SET : SET COIN NUMBER FOR PLAY

[1 CREDIT / 1 COIN ~ 1 CREDIT / 9 COIN]
[2 CREDIT / 1 COIN ~ 9 CREDIT / 1 COIN]
[FREE PLAY]

- CREDIT LIMIT : SET CREDIT LIMIT

[OFF, 1~10]

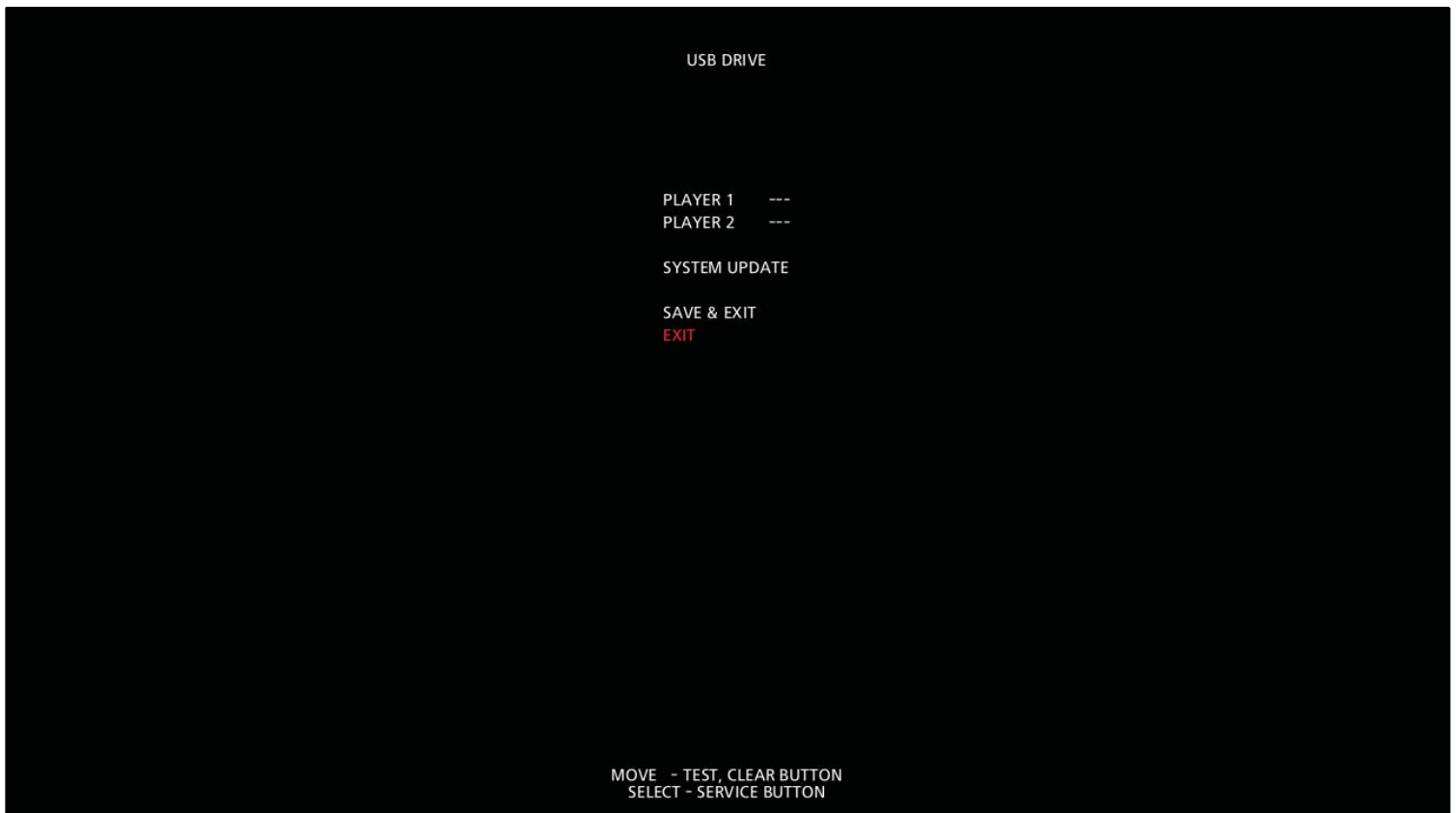
- COIN CLEAR : INITIALIZING THE INPUT COINS

- DEFAULT CREDIT SETTING : INITIALIZING THE CREDIT SET UP STAUS

- SAVE & EXIT : SAVE THE SET VALUE AND EXIT TO MENU

5-5. USB DRIVE

- YOU CAN DO SYSTEM UPDATE AND SET USB



- PLAYER 1 : SET THE USB OF 1P PLAYER

- PLAYER 2 : SET THE USB OF 2P PLAYER

*** By activating USB, you can set to get USB input.**

© Activate USB by following order.

1. Insert USB to left side of USB slot which is located in front of the machine.
2. Enter 'USB DRIVE' menu and press test button in PLAYER 1.
3. Insert USB to right side of USB slot.
4. Press test button in PLAYER 2.
5. Press 'SAVE AND EXIT' then USB is activated.

! Depends on model, location of USB slot can be different or there might be no USB slot.

- SYSTEM UPDATE : SYSTEM UPDATE

*** You can update the software using USB.**

© You can proceed with the update as shown below.

1. Visit WWW.PIUGAME.COM and follow the instructions to prepare the update file.
2. Put the prepared update file in USB.
3. From the USB drive menu, press the Test button in the SYSTEM UPDATE item.
4. Check the update to start the update if the file is normal.

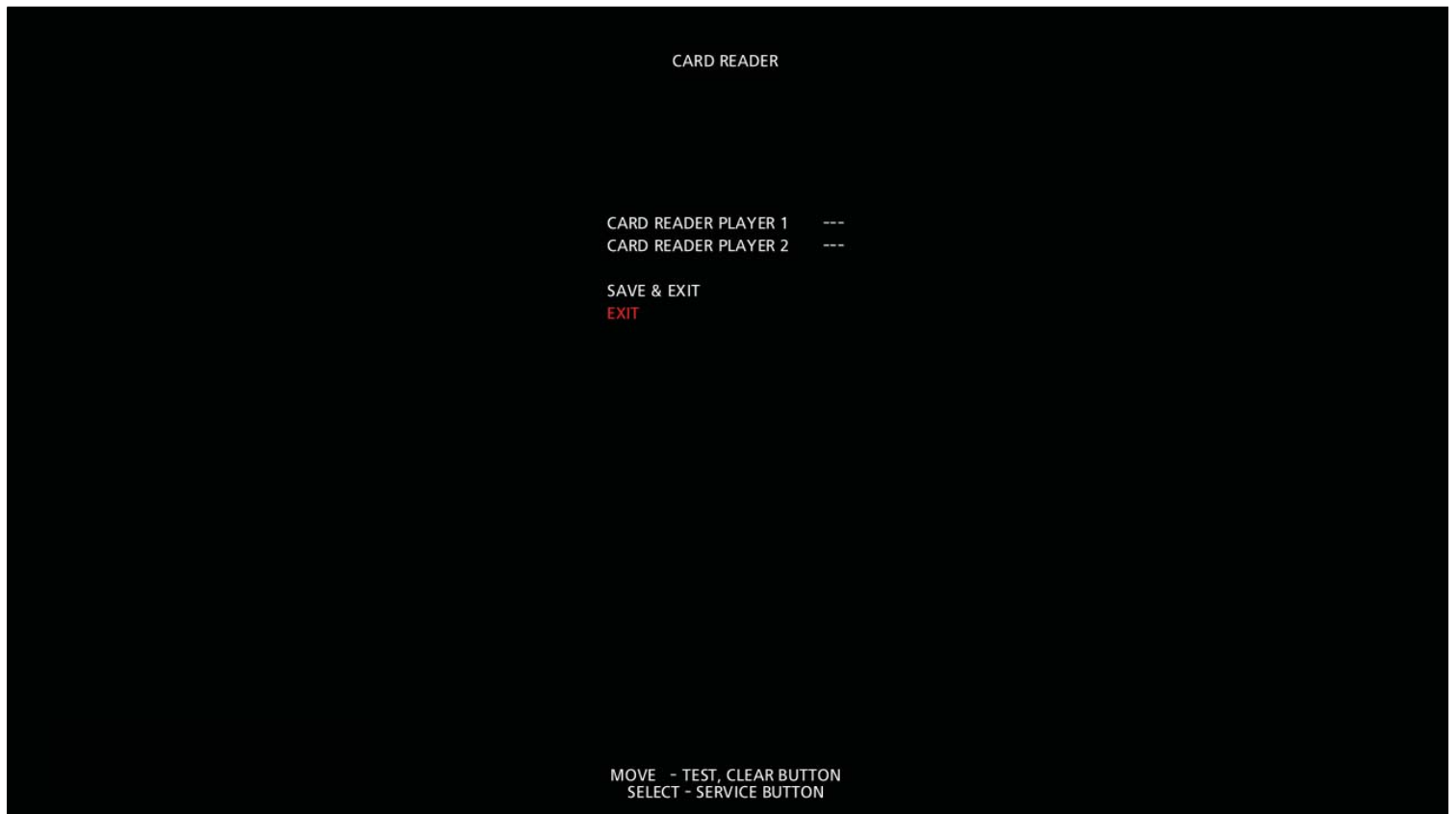
! Devices that are online can easily be updated over the network.

! When updating to USB, you need to update the file version in order.

- SAVE & EXIT : SAVE THE SET VALUE AND EXIT TO MENU

5-6. CARD READER

- YOU CAN SET THE CARD READER



- CARD READER PLAYER 1 : SET THE CARD READER FOR 1P PLAYER
- CARD READER PLAYER 2 : SET THE CARD READER FOR 2P PLAYER
- SAVE & EXIT : SAVE THE SETTING AND EXIT

[Card reader Player 1, Card reader Player 2]

You can set the card reader by activating the card reader

Activate the card reader in following sequence

1. Wait at the point of card reader Player 1 in Card Reader Menu
2. Put AM PASS Card to the card reader on the Left Side of the machine
3. Press Test Button at card reader player 1
4. Wait at the point of card reader player 2 in card reader menu
5. Put AM PASS Card to the card reader on the Right Side of the machine
6. Press Test button at card reader player 2
7. Save the settings and exit and then card reader shall be activated to perceive AM PASS Card



Note: According to the machine, the location of Card Reader can be different or there may be no location for Card Reader

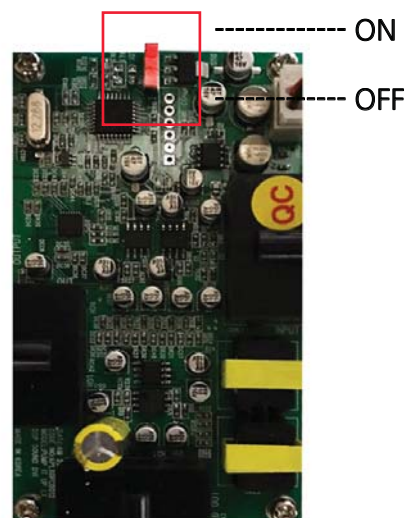
5-7. SOUND SETTING

- YOU CAN PLAY THE LIST SONG, SPEAKER CHECKING AND GAME ENVIRONMENT VOLUME



- GAME VOLUME : ADJUST GAME VOLUME [0 ~100]
- DEMO VOLUME : ADJUST DEMO SCREEN [0 ~100]
- DEMO PLAY : SET THE WAY OF DEMOPLAY SOUND PLAY [At the times,10~60, Off]
- SPEAKER TEST : CHECK SPEAKERS
- DSP SETTING : SET THE SOUND OUTPUT IN OPTIMUM CONDITION

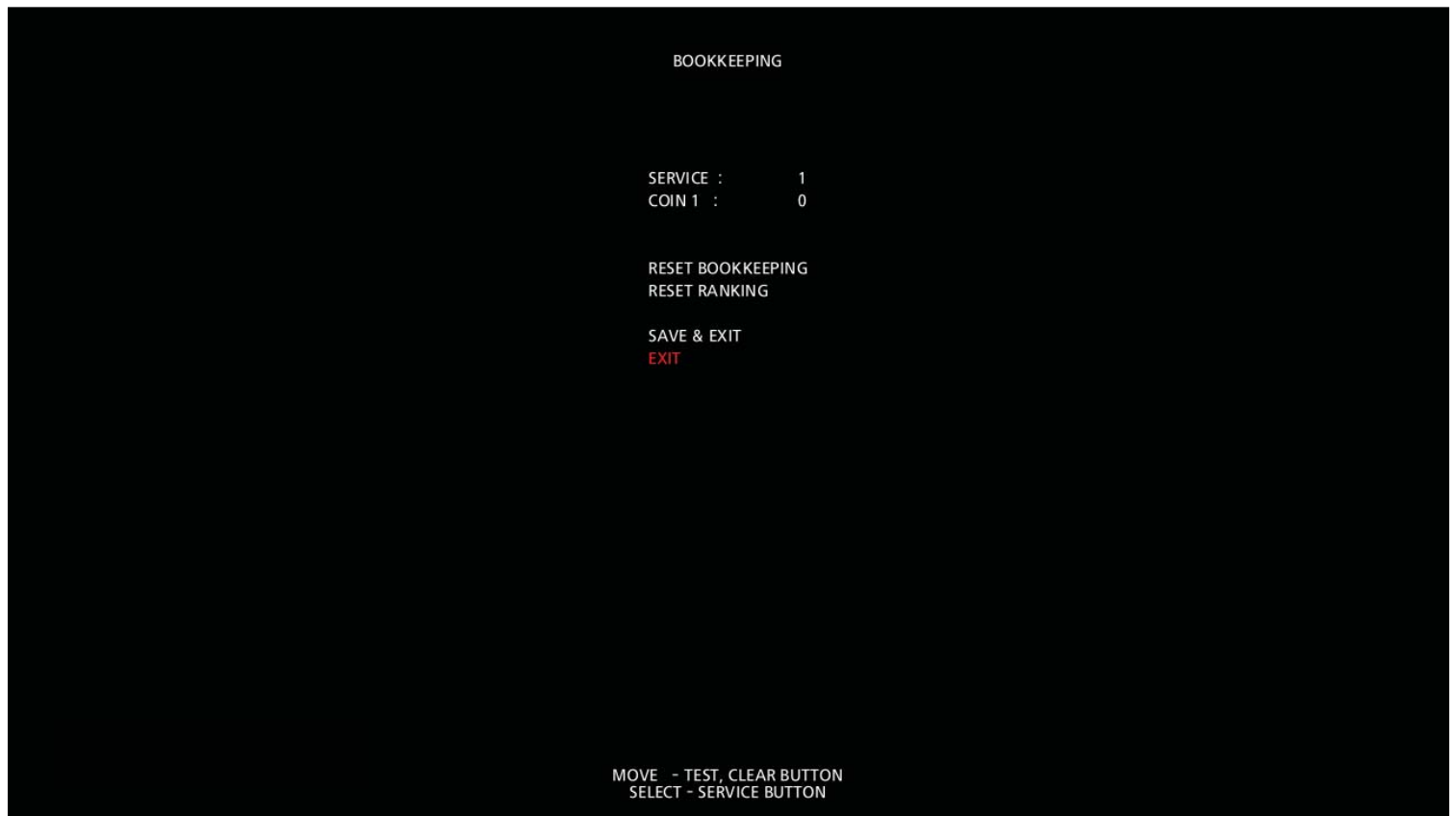
- * 1. Set DSP switch to ON(Up) 
2. Enter SETUP MENU => SOUND SETTING.
3. Set game volume as 80.
4. Run DSP SETTING.
5. Wait 20 secs until end of beep sound.
6. Set DSP switch to OFF(Down) 
7. After DSP setting, set GAME VOLUME as you want.
(Recommend setting is 90)



- AUDIO : PLAY THE LISTED SONGS
- DEFAULT SOUND SETTING : INITIALIZE SOUND SETTING STAUAS AS BEGINNING STATUS
- SAVE & EXIT : SAVE THE SETTING VALUE AND EXIT TO MENU

5-8. BOOKKEEPING

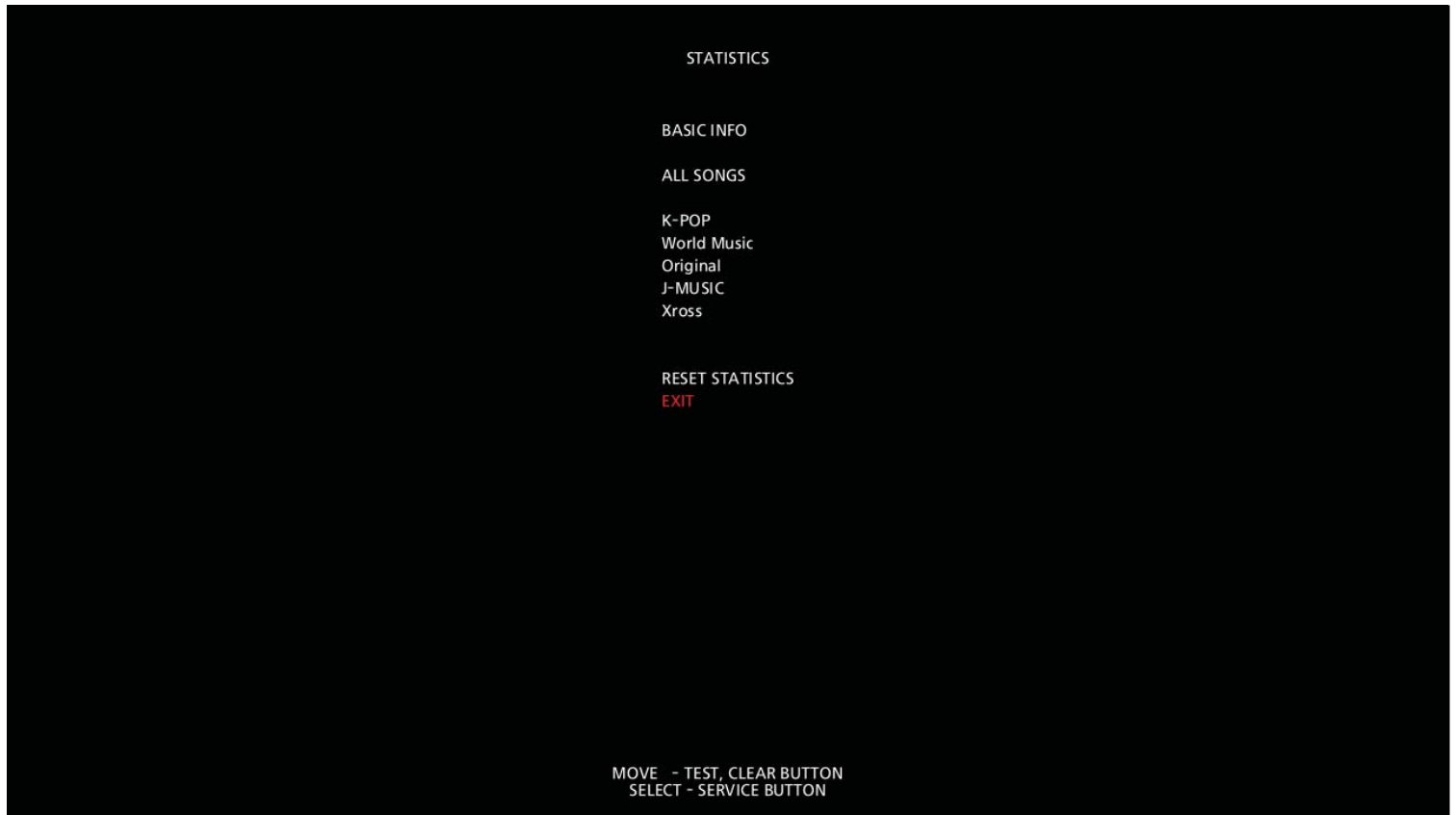
- YOU CAN INITIALIZE THE SERVICE COUNT, COIN COUNT AND INCOME STATISTIC



- SERVICE : CHECK SERVICE COUNT
- COIN 1 : CHECK COIN COUNT
- RESET BOOKKEEPING : INITIALIZE SERVICE, COIN COUNT
- RESET RANKING : INITIALIZING RANKINGS
- SAVE & EXIT : SAVE THE SETTING VALUE AND EXIT TO MENU

5-9. STATISTICS

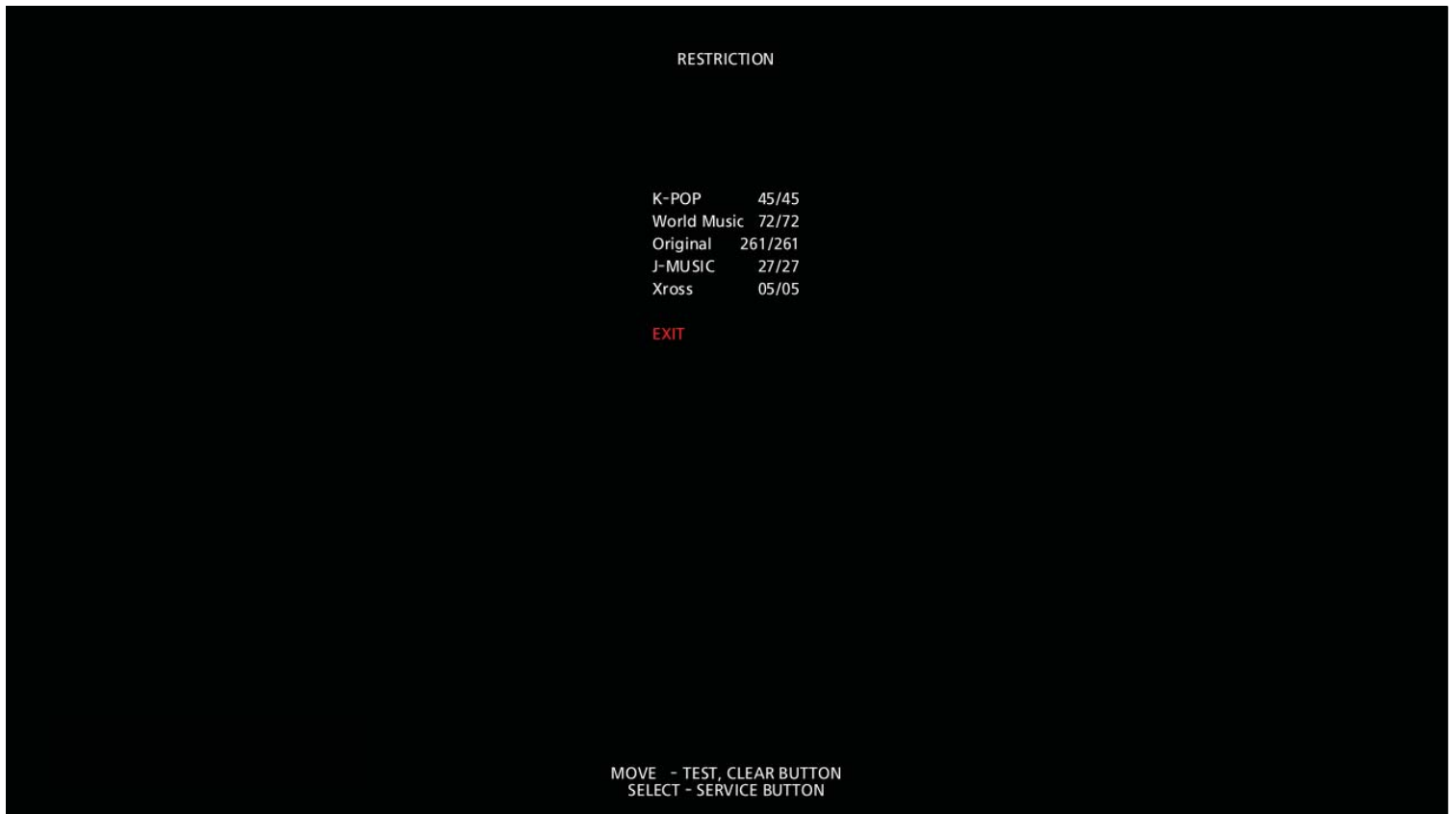
- YOU CAN CHECK THE INFORMATION SUCH AS PLAYING TIME OF MACHINES, PLAY NUMBERS, FAVORITE SONGS AND MODE



- BASIC INFO : CHECK PLAYING TIME, MACHINE OPERATING TIME
- ALL SONGS : CHECK PLAY COUNT OF ALL SONGS
- K-POP : CHECK PLAY COUNT OF K-POP
- WORLD MUSIC : CHECK PLAY COUNT OF WORLD MUSIC
- ORIGINAL : CHECK PLAY COUNT OF PIU ORIGINAL
- J-MUSIC : CHECK PLAY COUNT OF J-MUSIC
- XROSS : CHECK PLAY COUNT OF XROSS
- RESET STATISTICS : INITIALIZE THE STATISTICS

5-10. RESTRICTION

- YOU CAN RESTRICT SONGS ON THE LIST AND PROHIBIT PLAYING

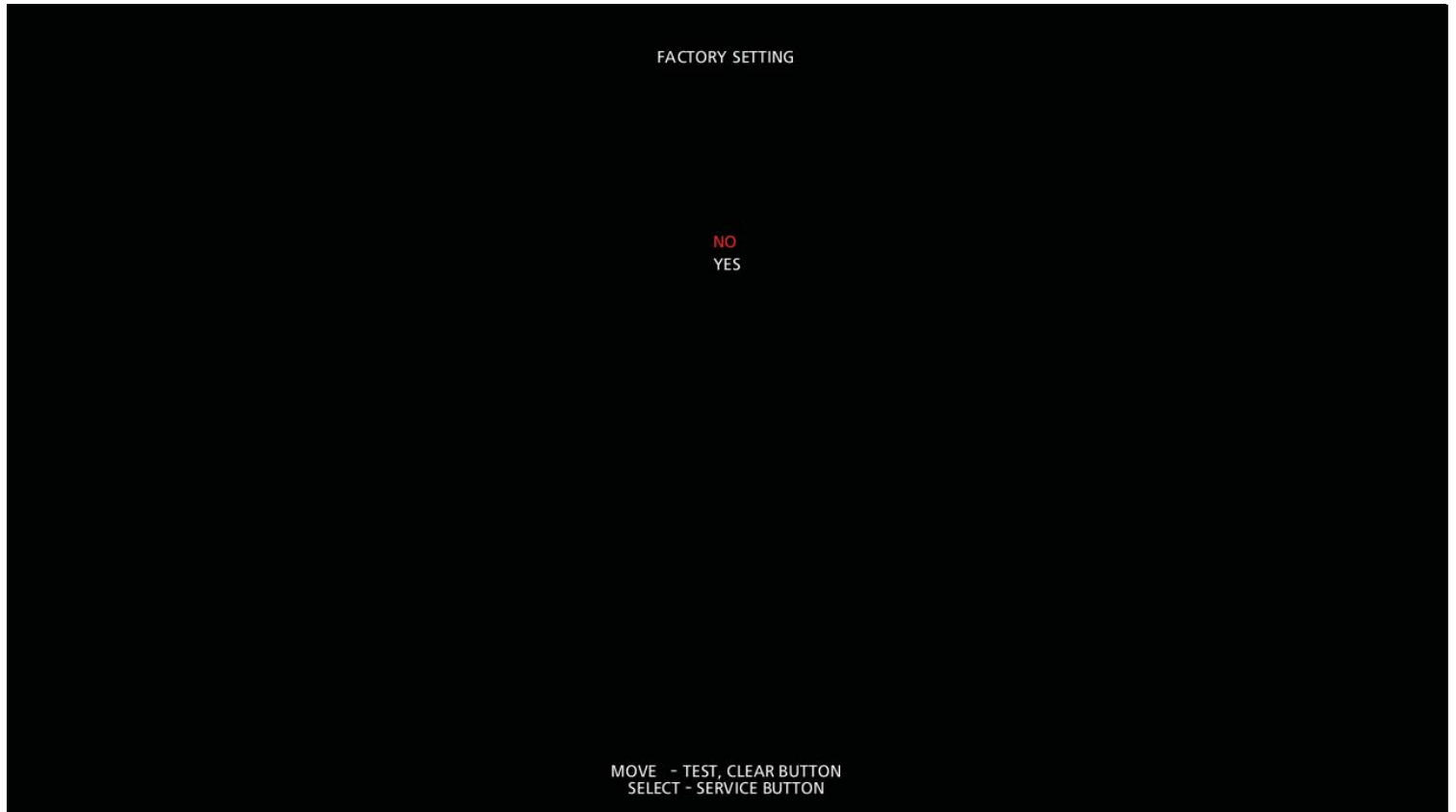


- K-POP : PROHIBIT PLAYING AMONG K-POP
- WORLD MUSIC : PROHIBIT PLAYING AMONG WORLD MUSIC
- ORIGINAL : PROHIBIT PLAYING AMONG PIU ORIGINAL
- J-MUSIC : PROHIBIT PLAYING AMONG J-MUSIC
- XROSS : PROHIBIT PLAYING AMONG XROSS

5-11. FACTORY SETTING

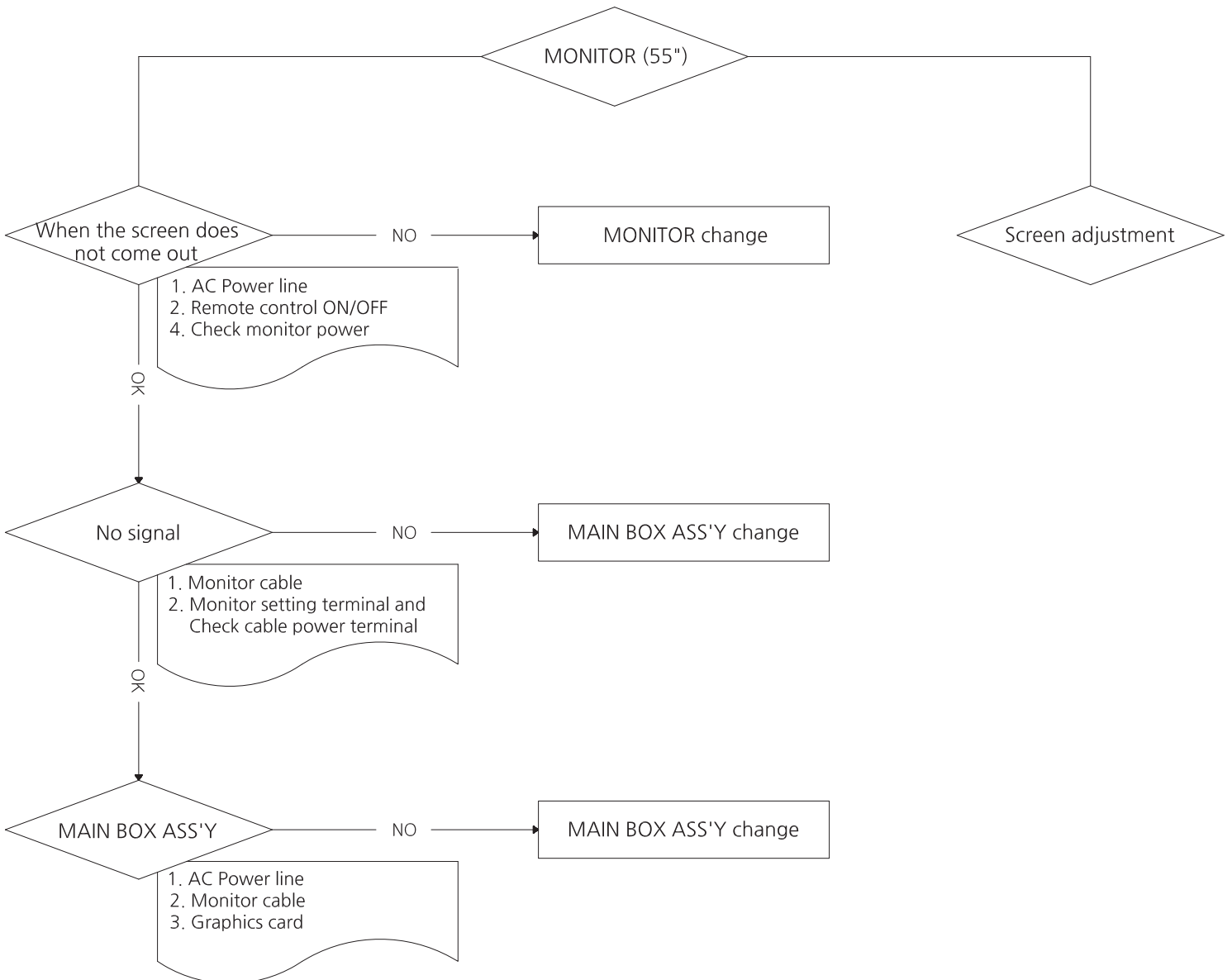
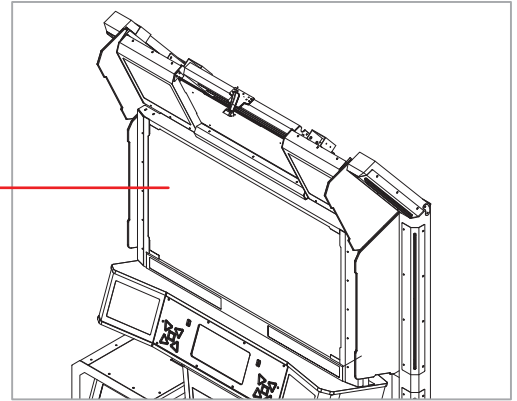
- YOU CAN INITIALIZE THE ENVIRONMENT SETTING STATUS AS FACTORY SETTING

! ALL DATA WILL BE INITIALIZED SO CAREFULLY INITIALIZE IT

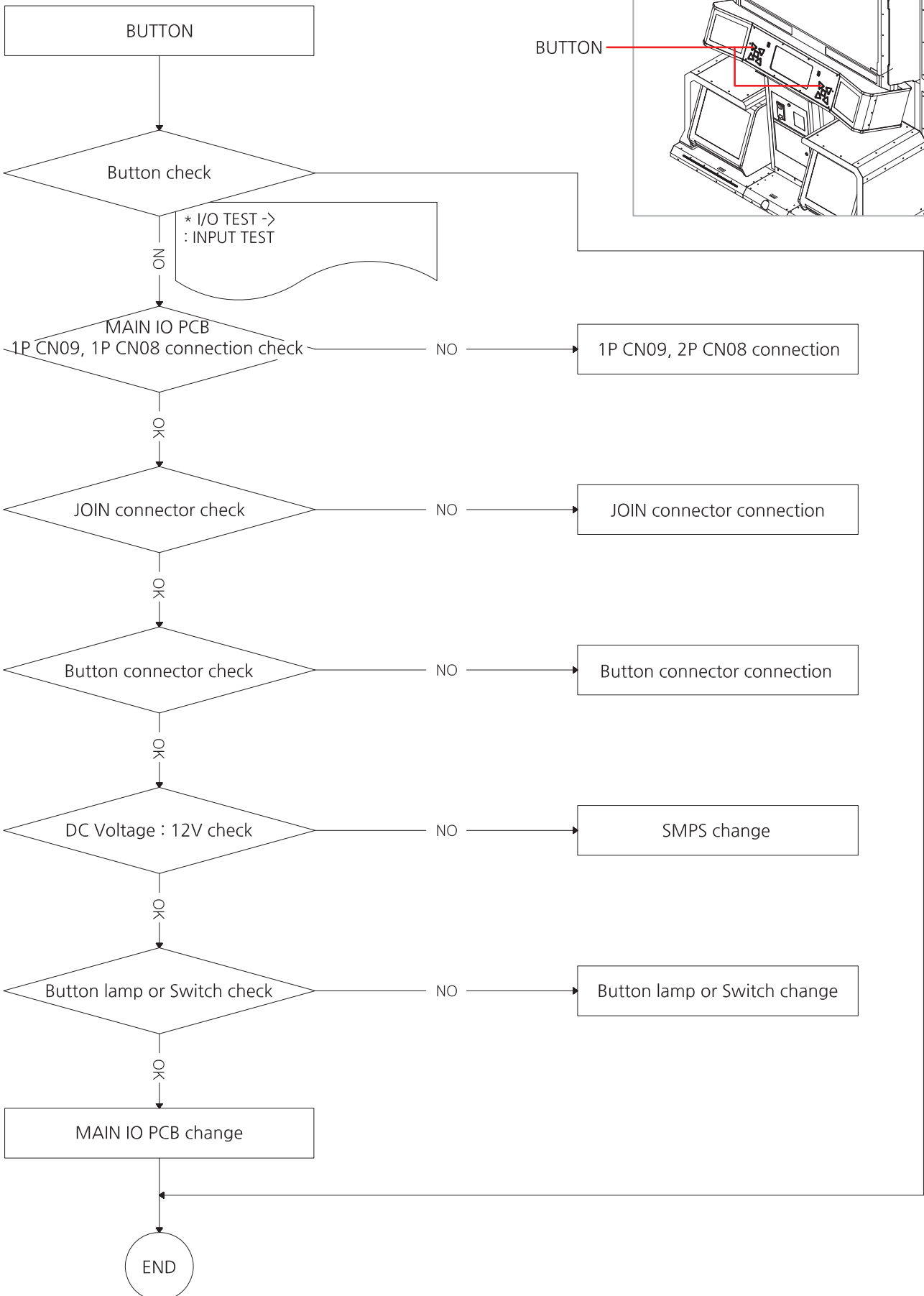


6. TROUBLESHOOTING

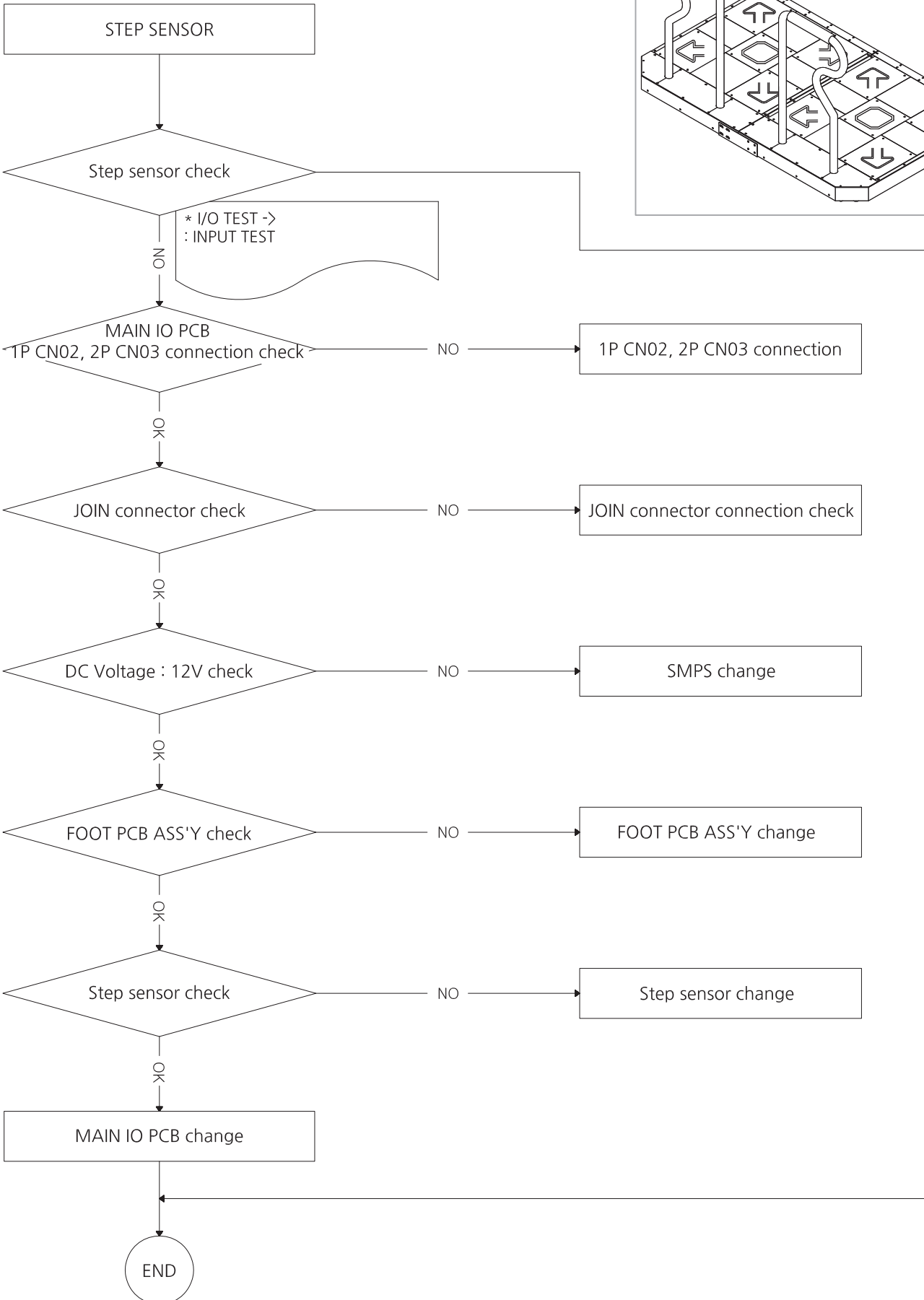
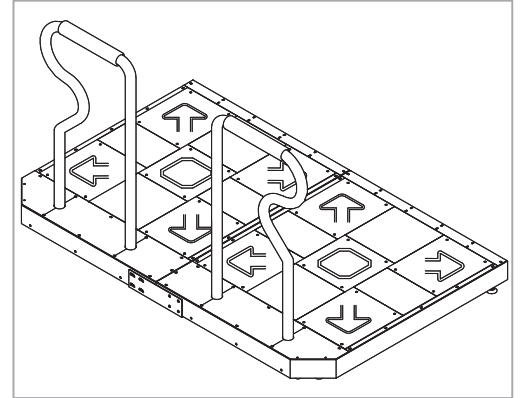
6-1. MONITOR



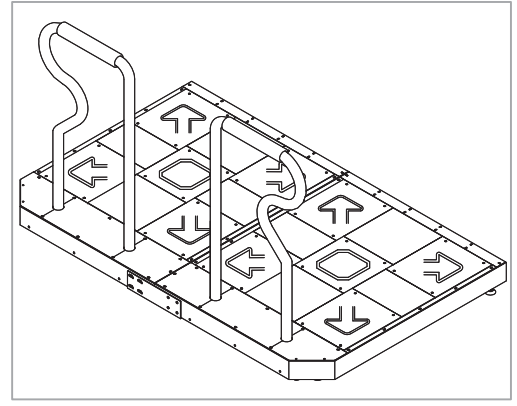
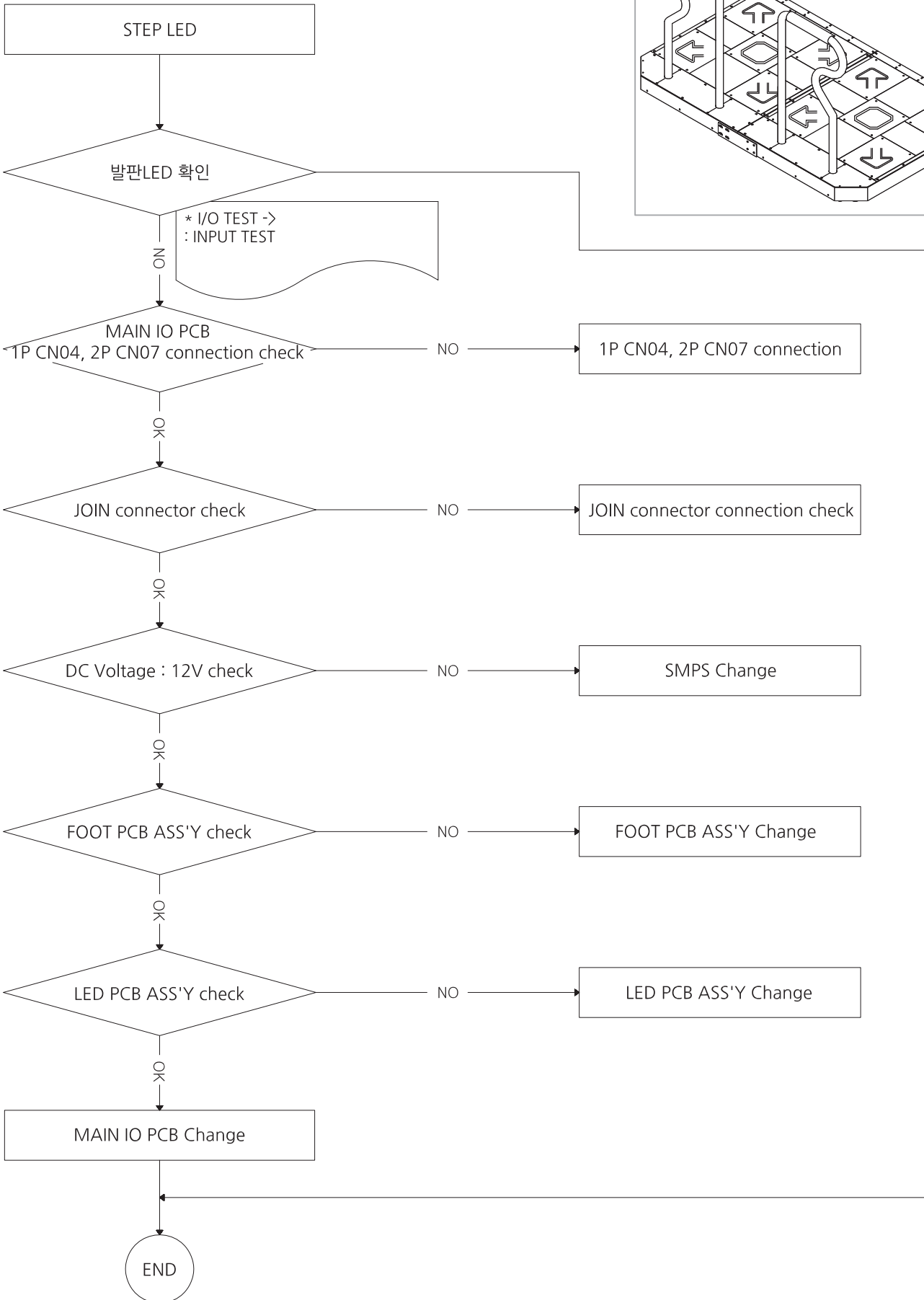
6-2. BUTTON



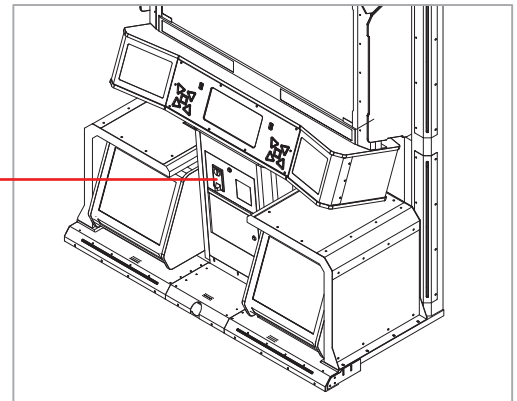
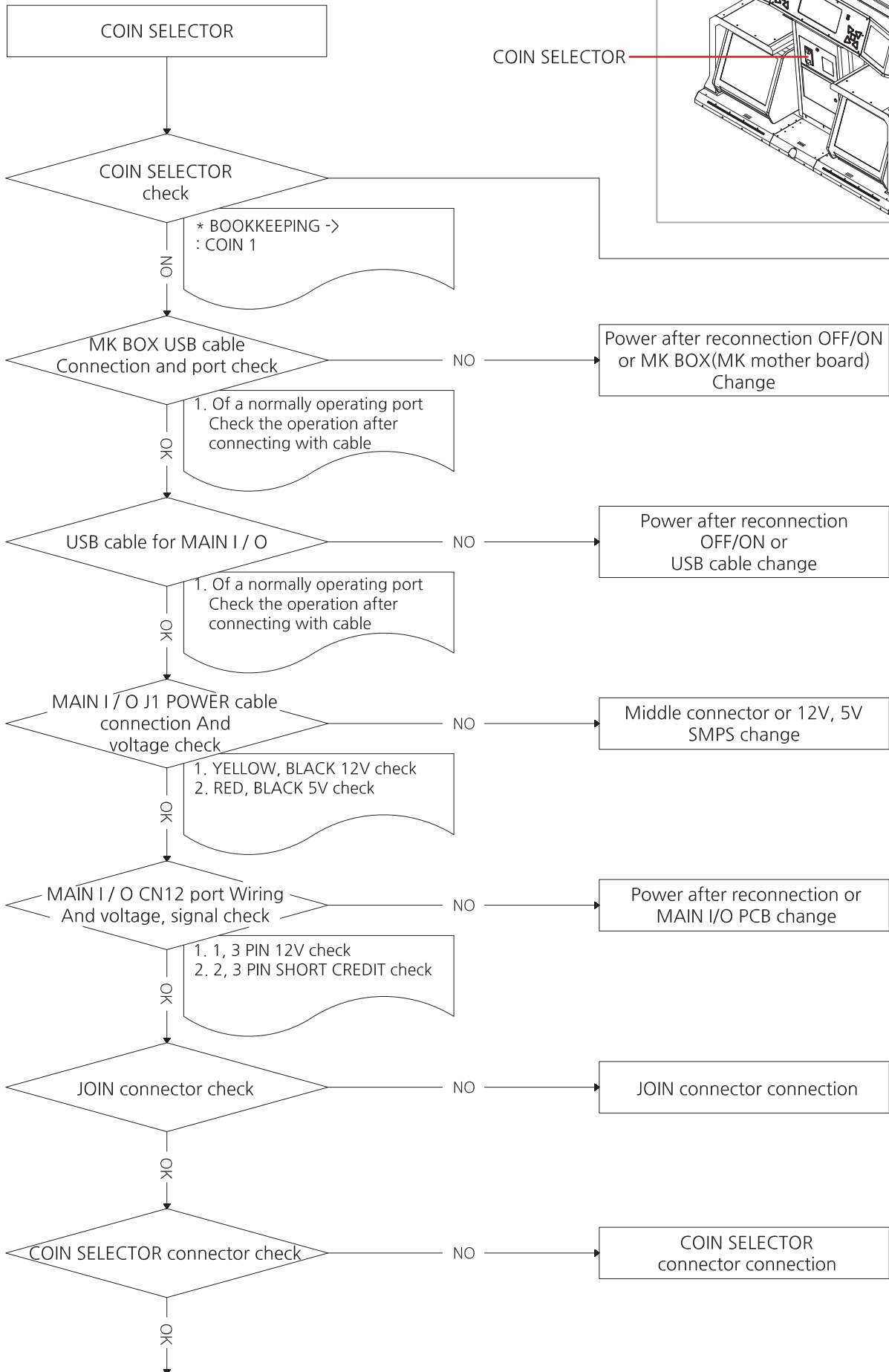
6-3. STEP SENSOR



6-4. STEP LED



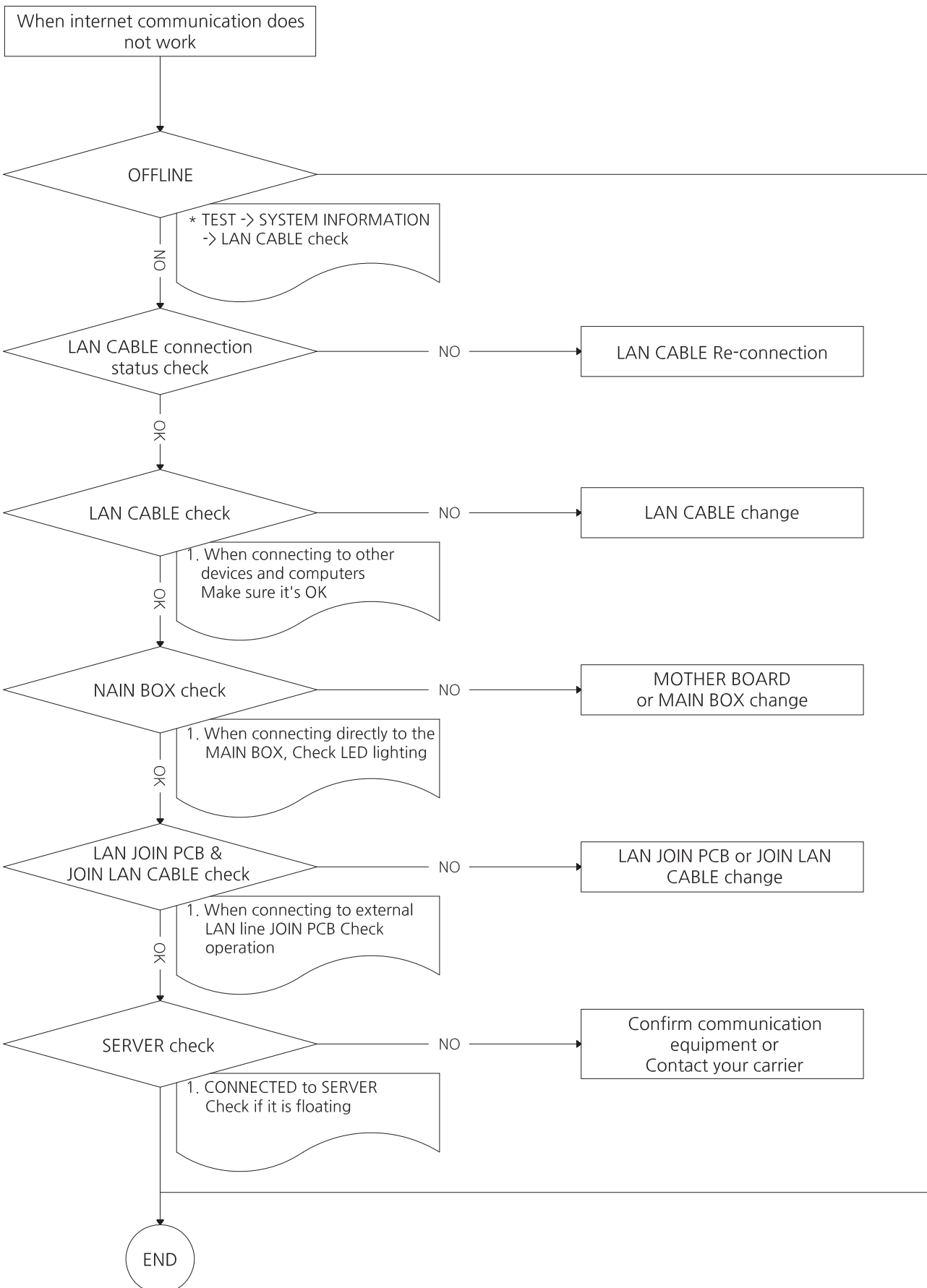
6-5. COIN SELECTOR



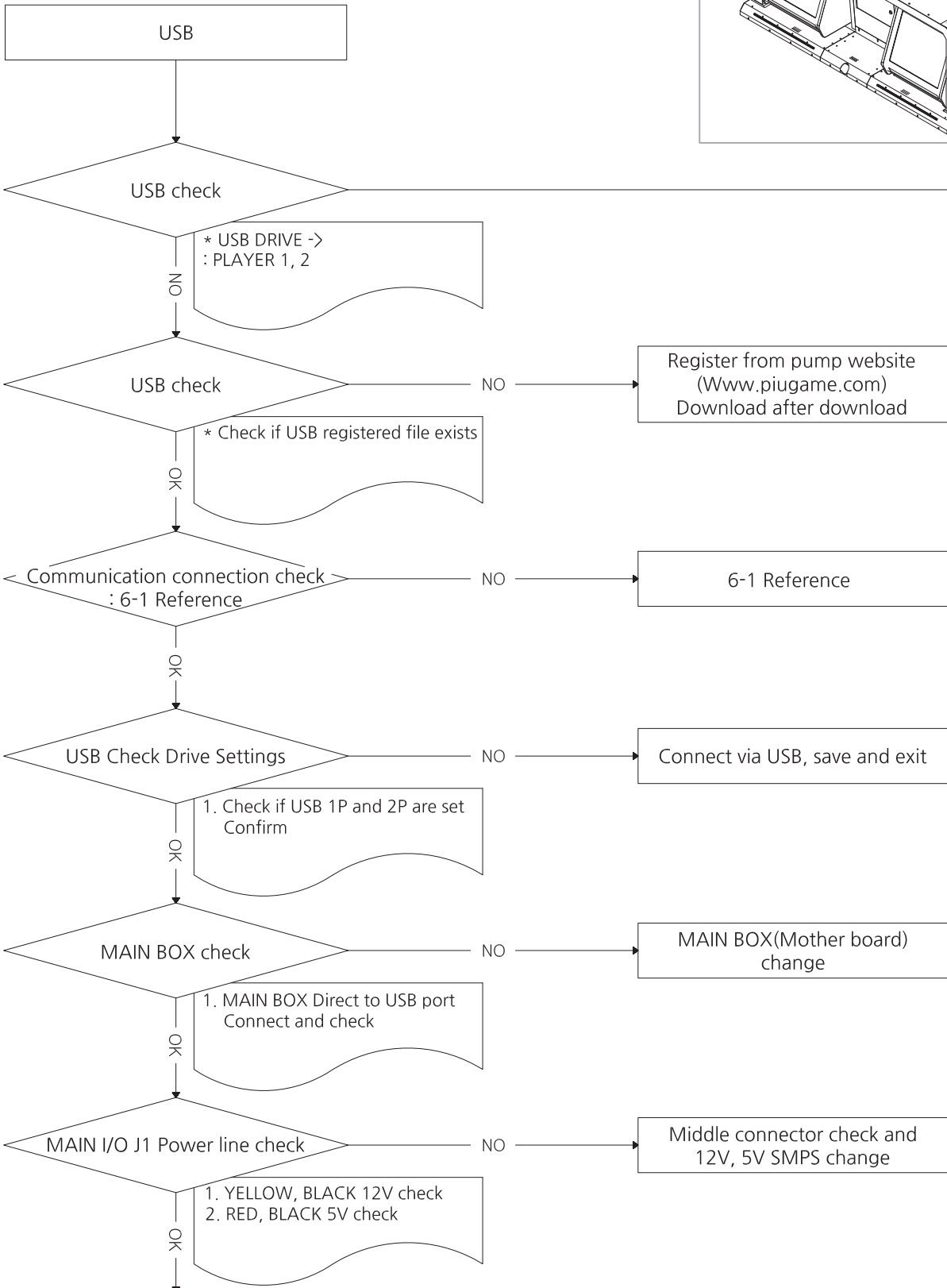
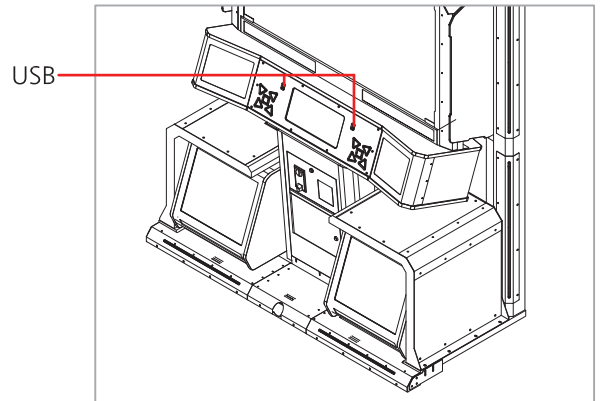
COIN SELECTOR change

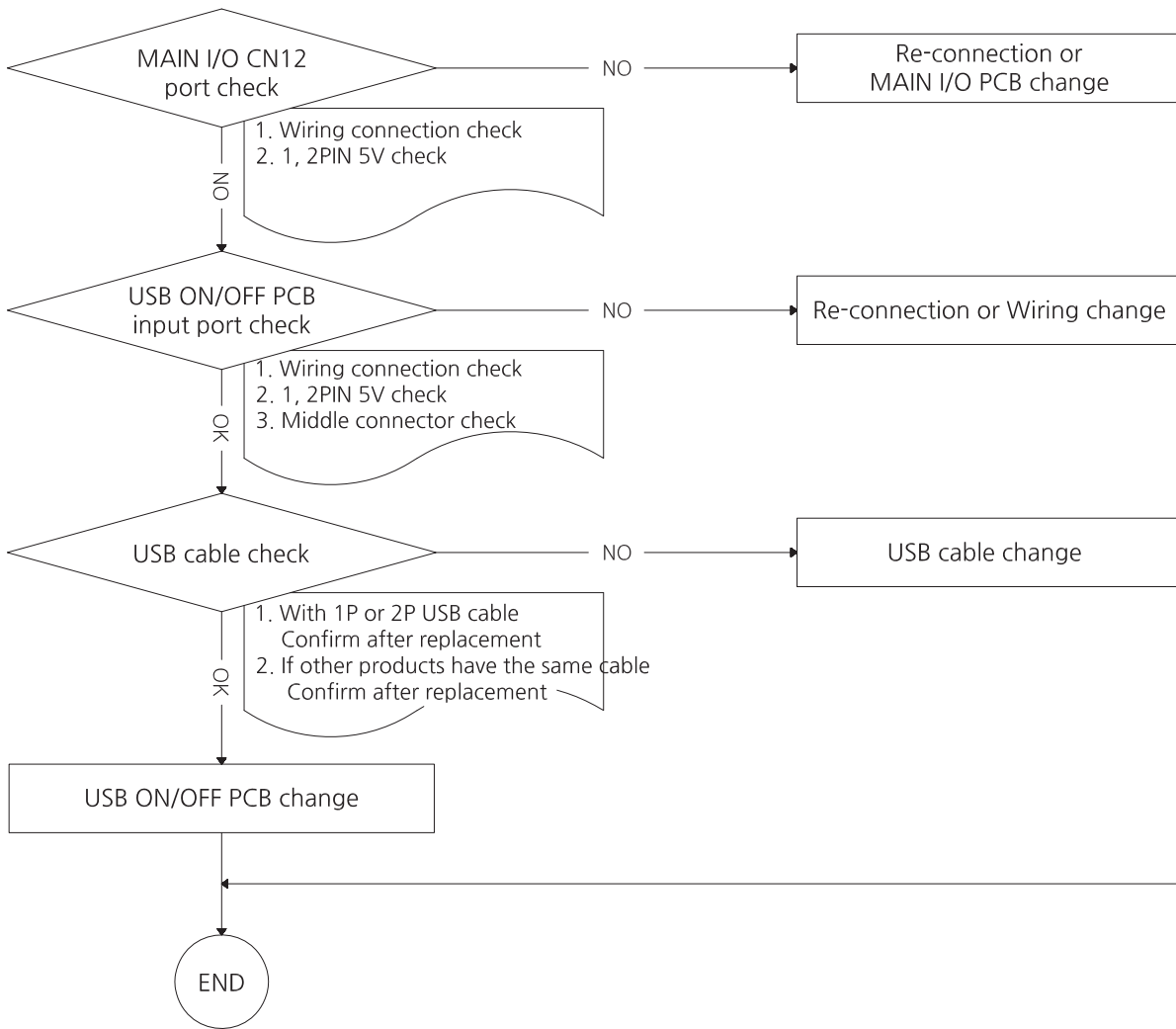
END

6-6. WHEN INTERNET COMMUNICATION DOES NOT WORK



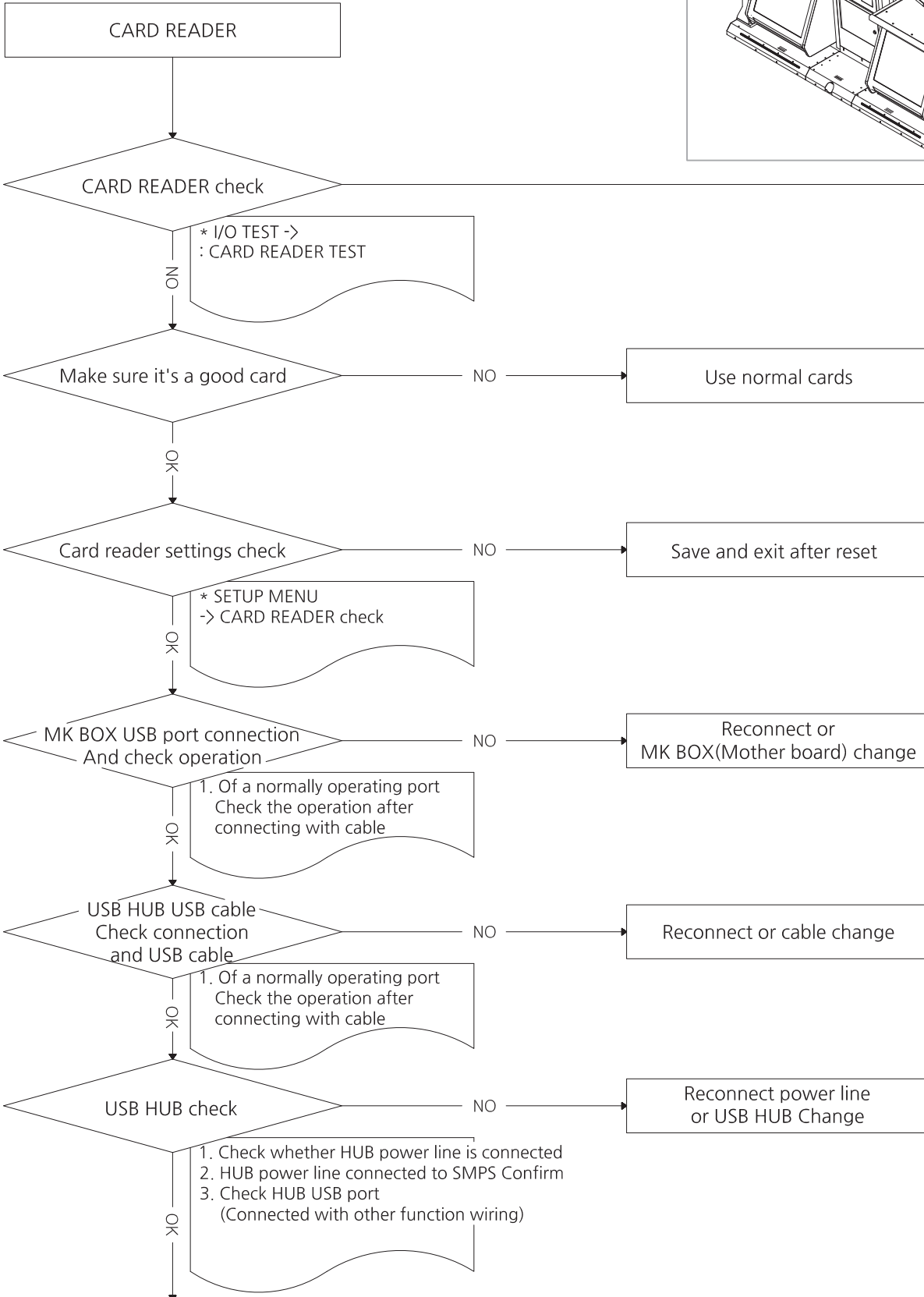
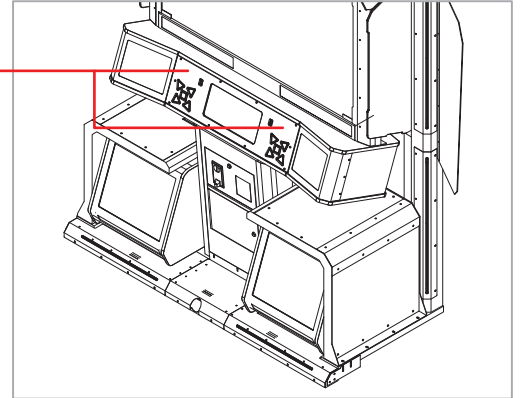
6-7. USB ON/OFF ERROR

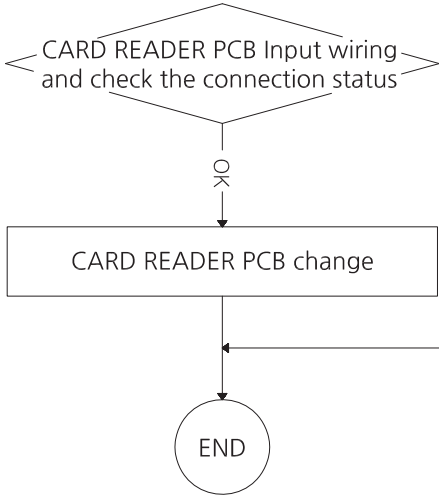




6-8. CARD READER ERROR

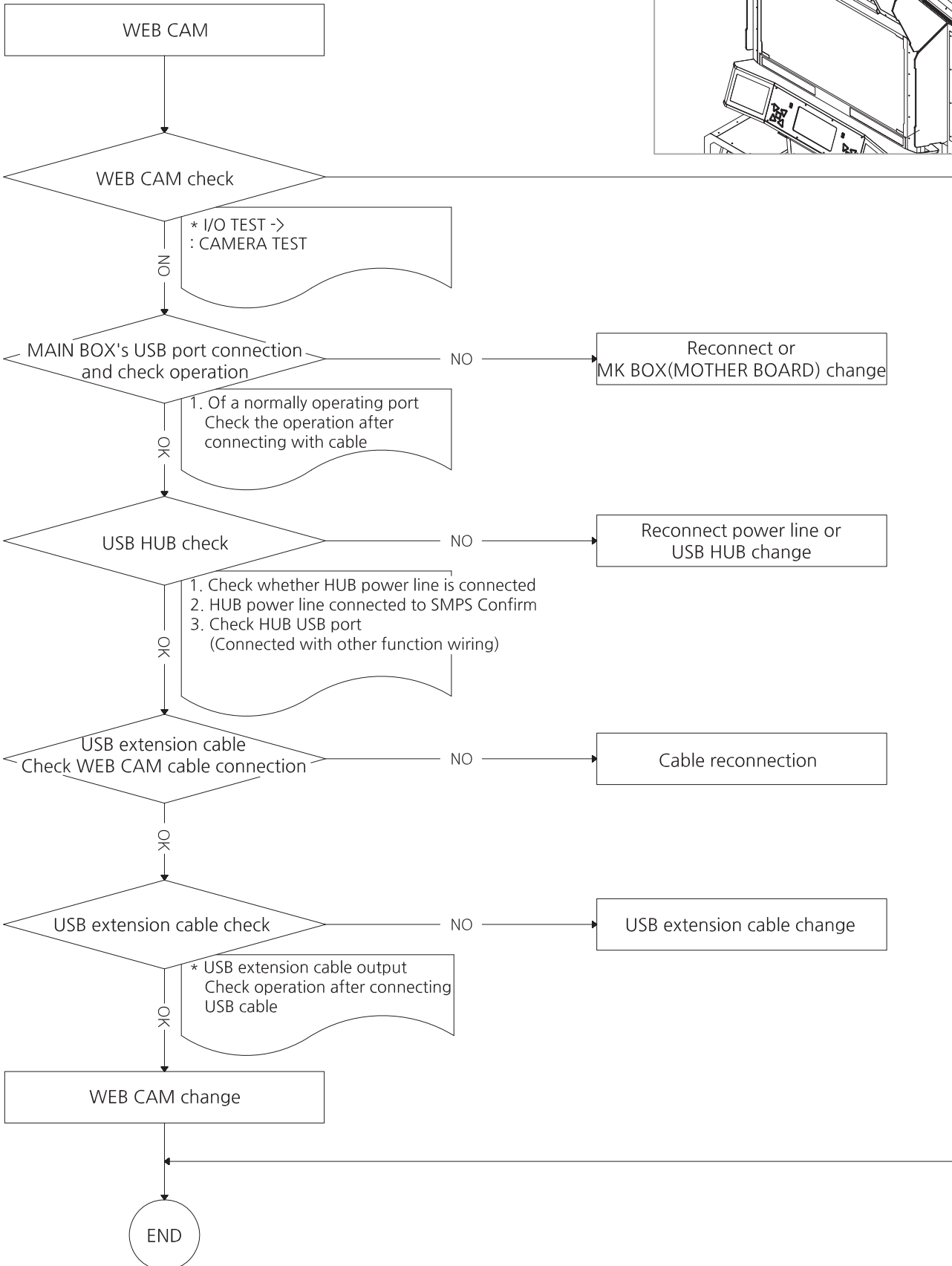
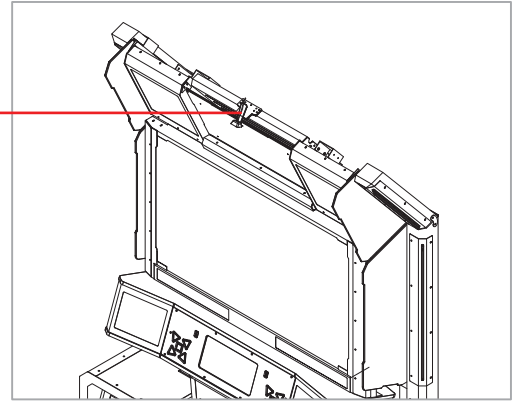
CARD READER



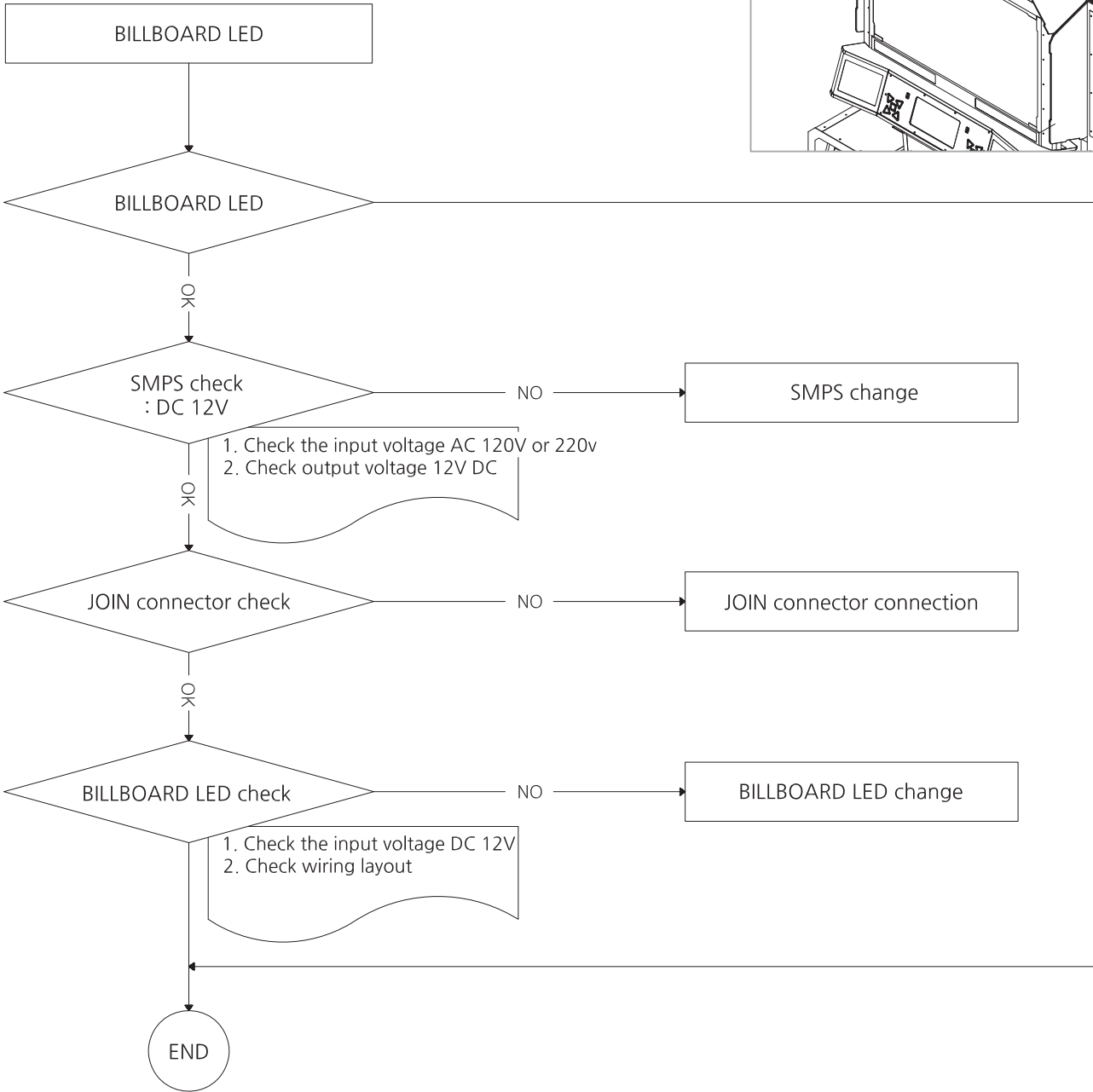
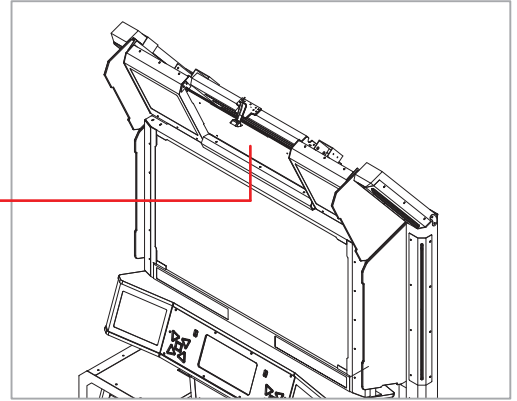


6-9. WEB CAM ERROR

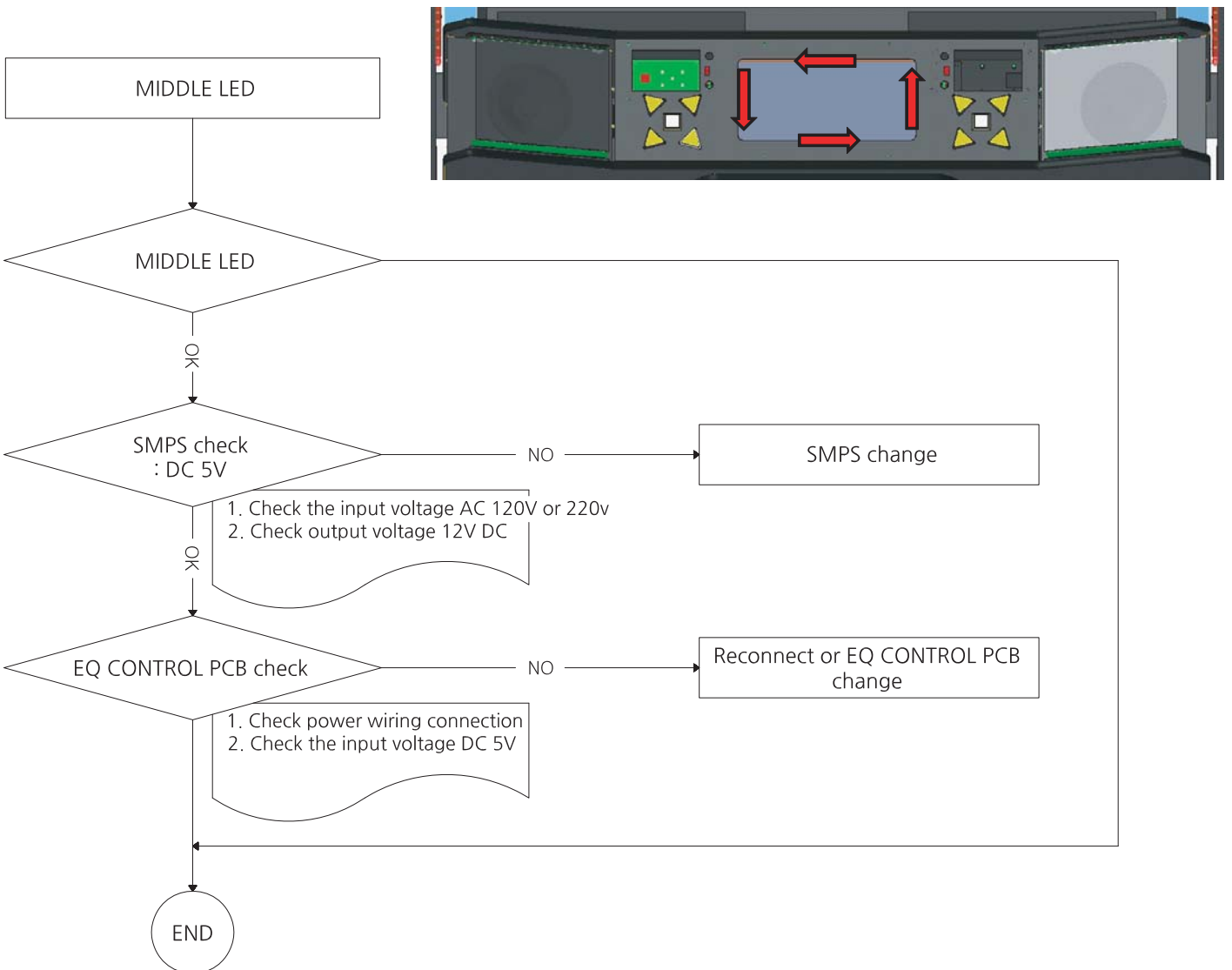
WEB CAM



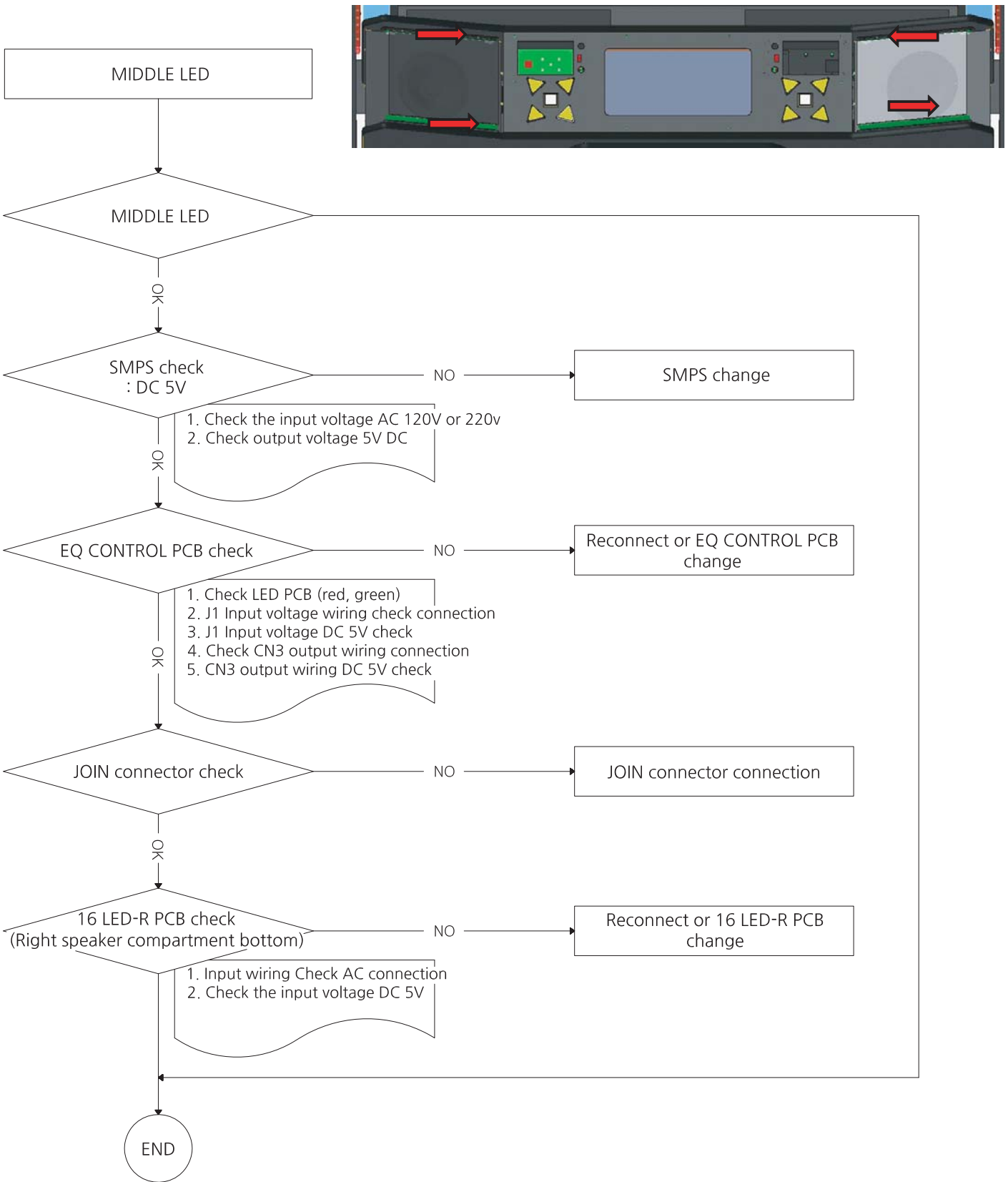
6-10. BILLBOARD LED ERROR



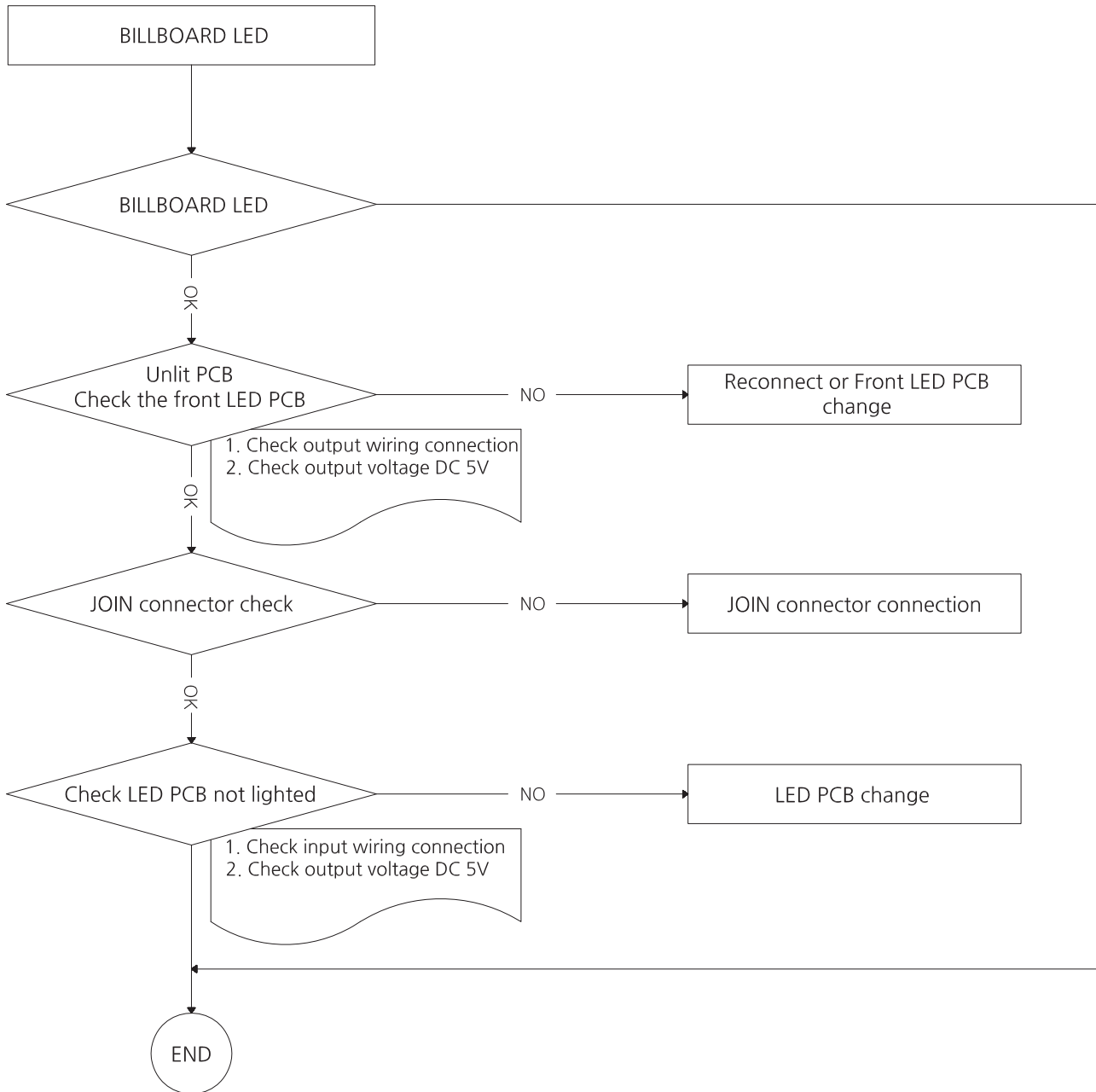
6-11. MIDDLE LED PCB ERROR_CENTER (all)



6-12. MIDDLE LED PCB ERROR_L,R (all)

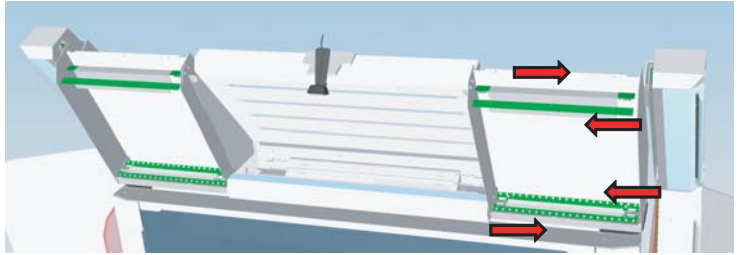
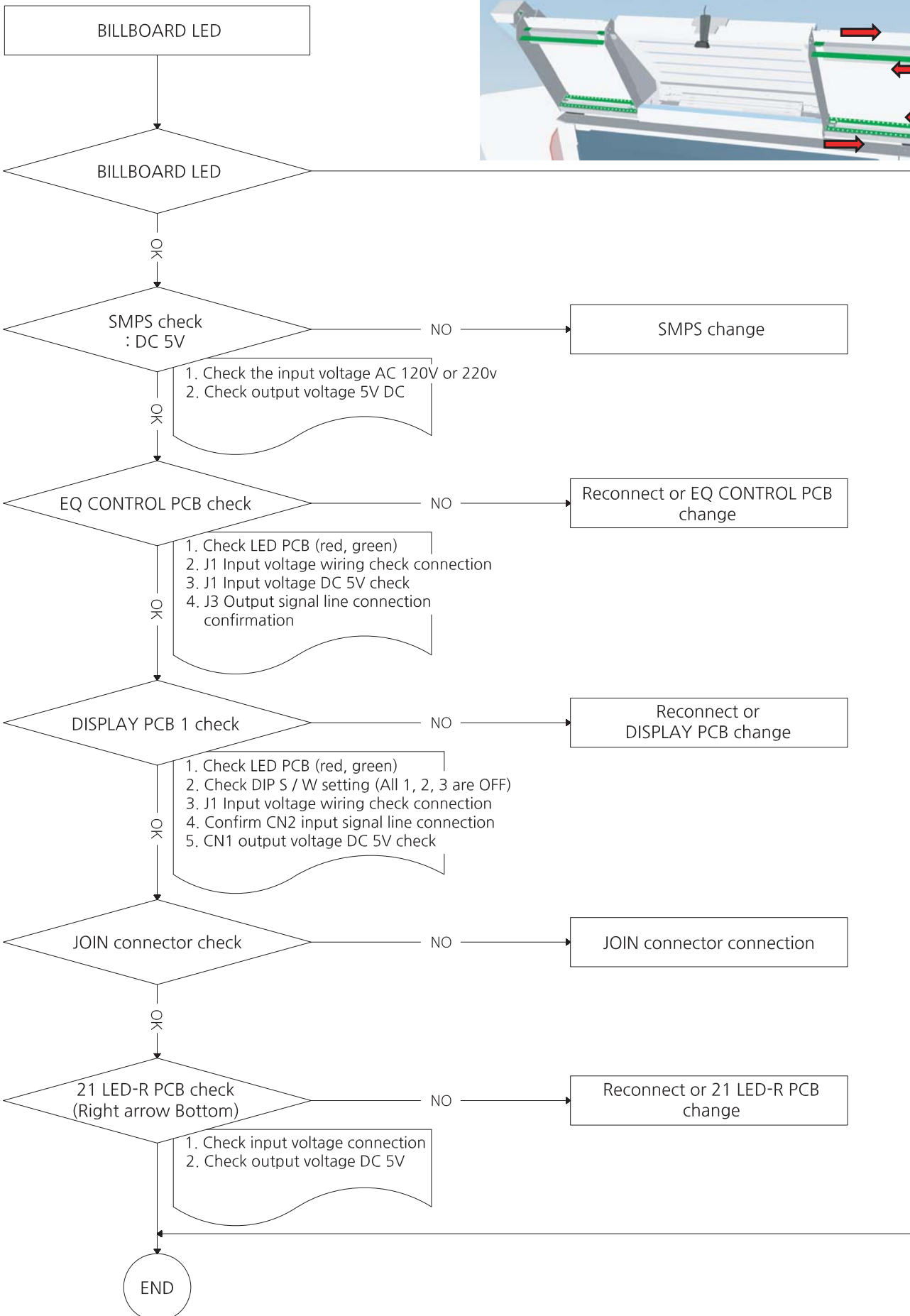


* MIDDLE LED PCB ERROR (part)

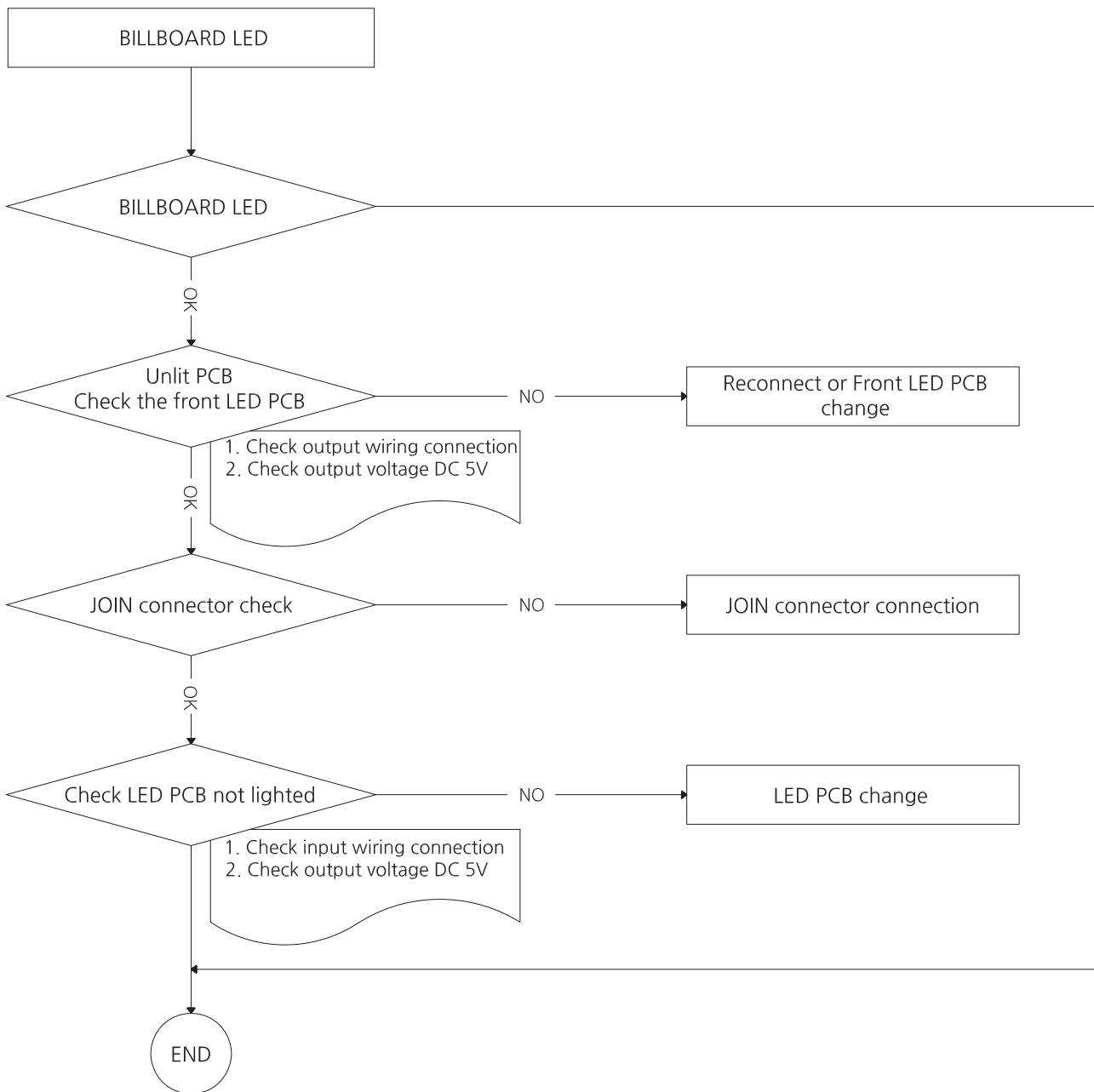


* LED DOT Only one color is wrong or not lit - Replace corresponding LED or replace LED PCB

6-13. BILLBOARD LED PCB ERROR (all)

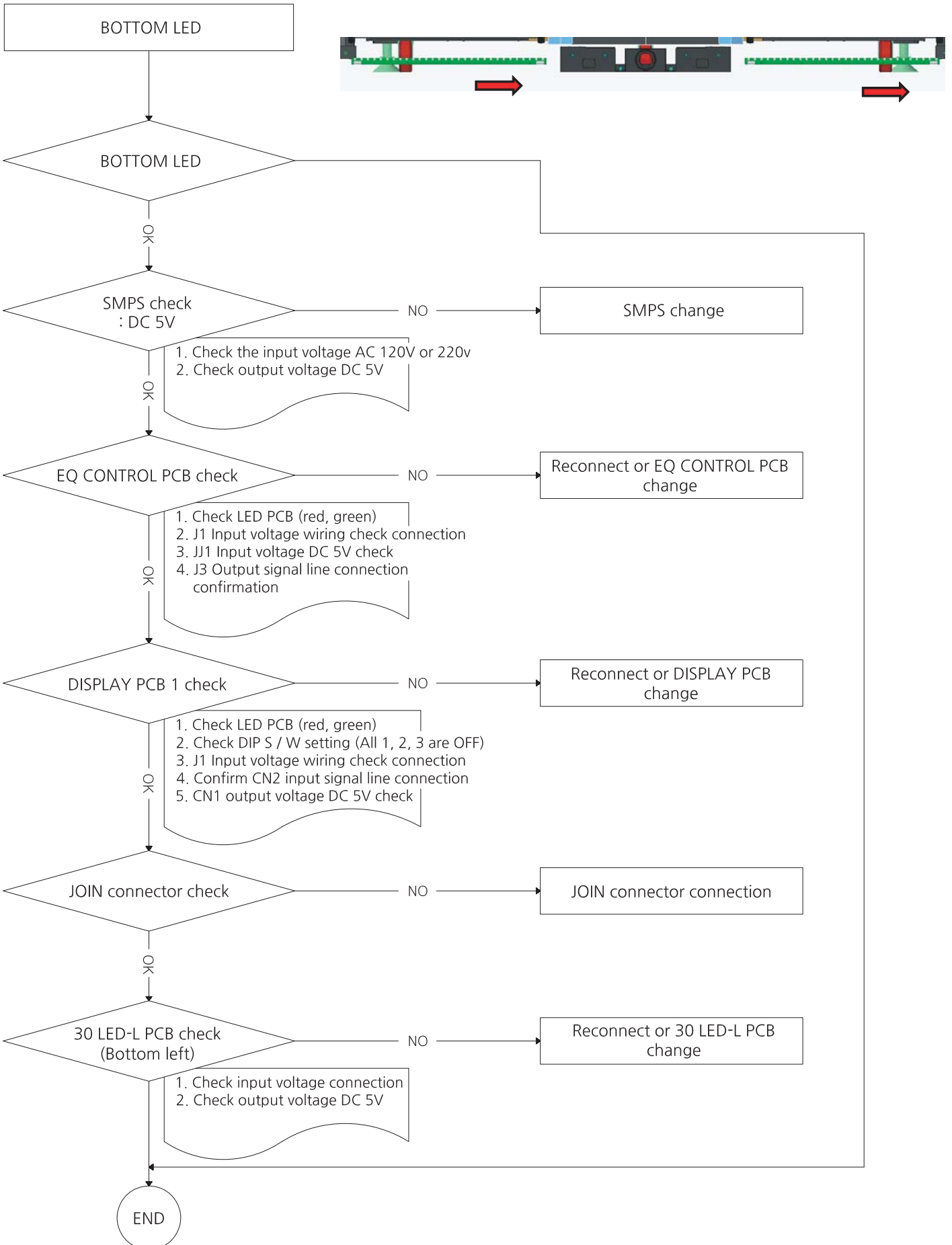


* BILLBOARD LED PCB ERROR (part)

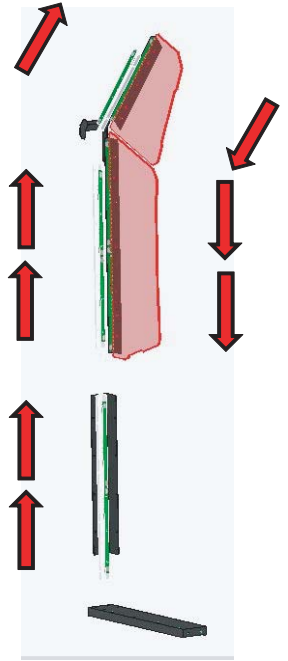
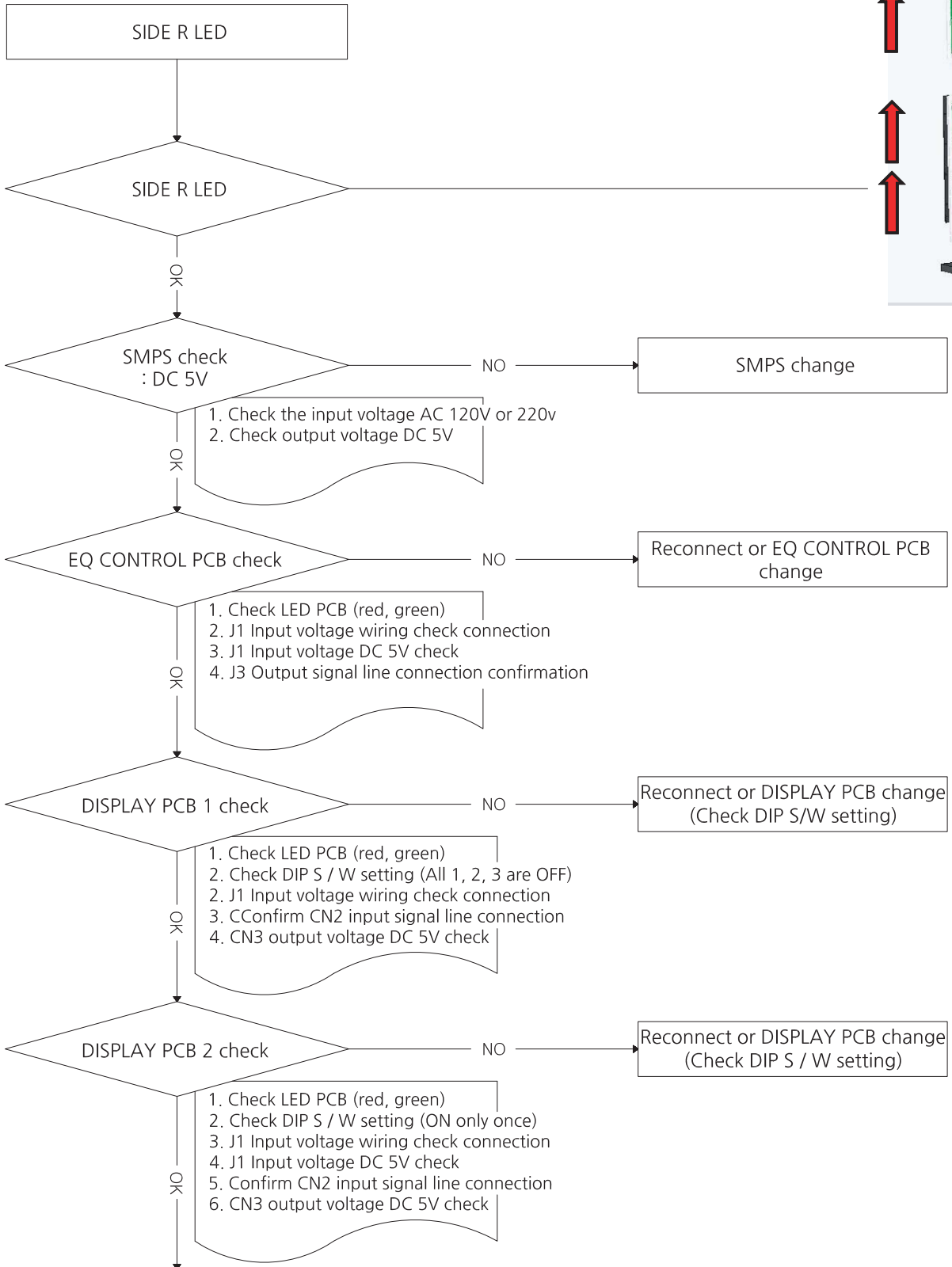


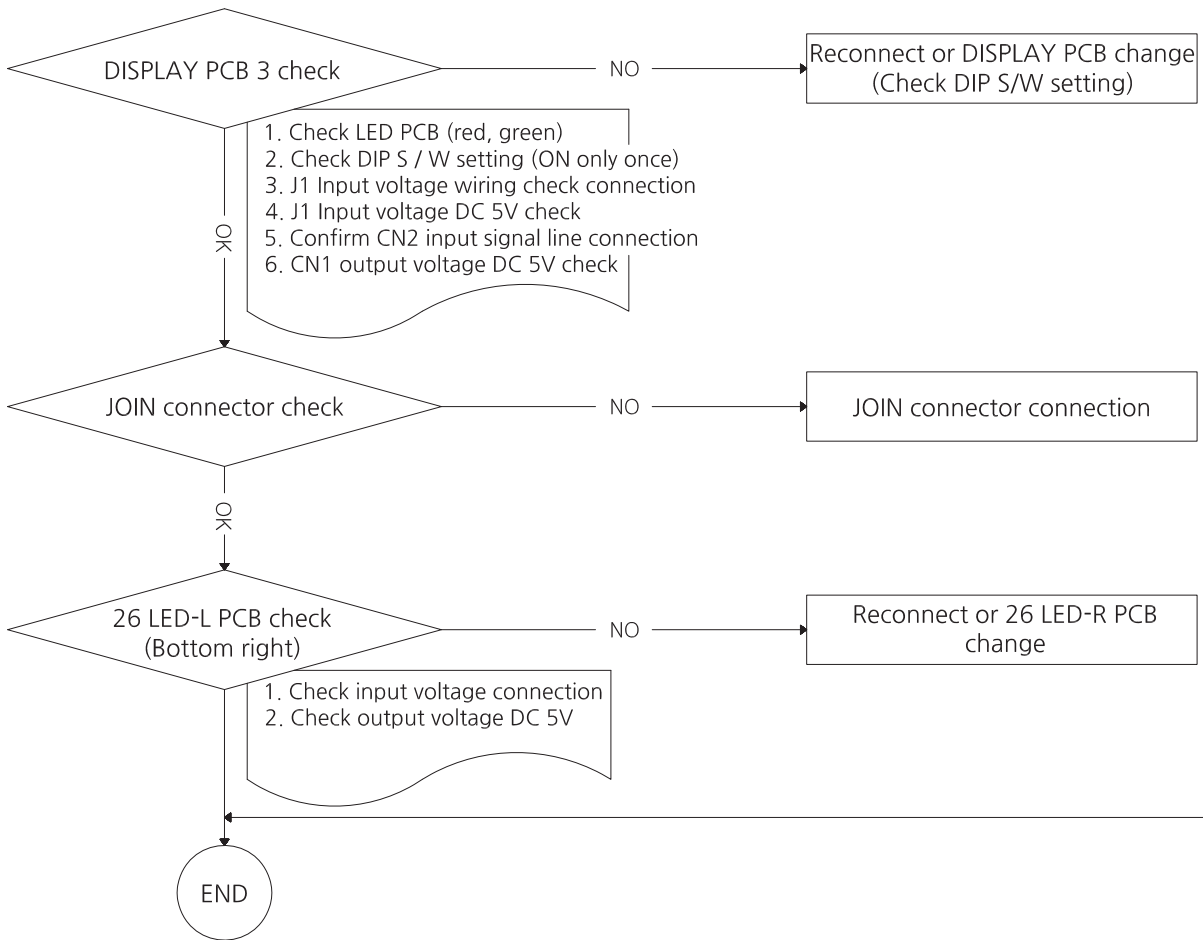
* LED DOT Only one color is wrong or not lit - Replace corresponding LED or replace LED PCB

6-14. BOTTOM LED PCB ERROR (all)

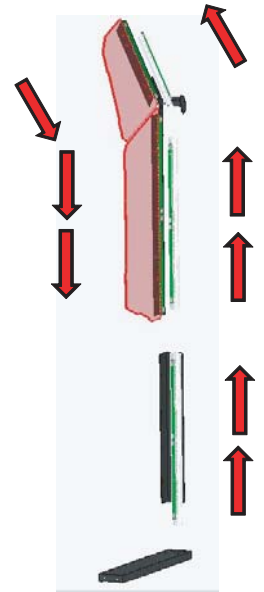
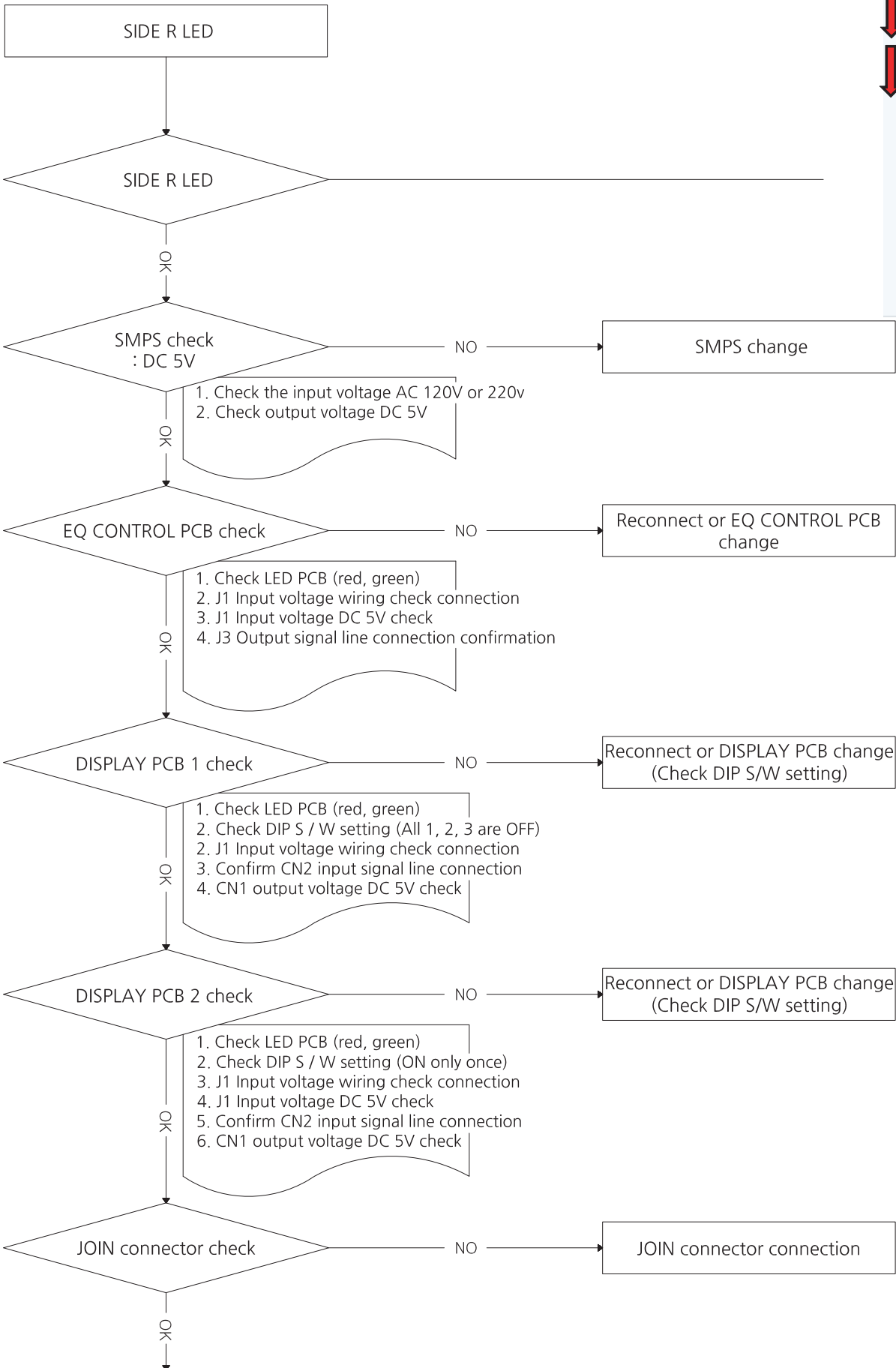


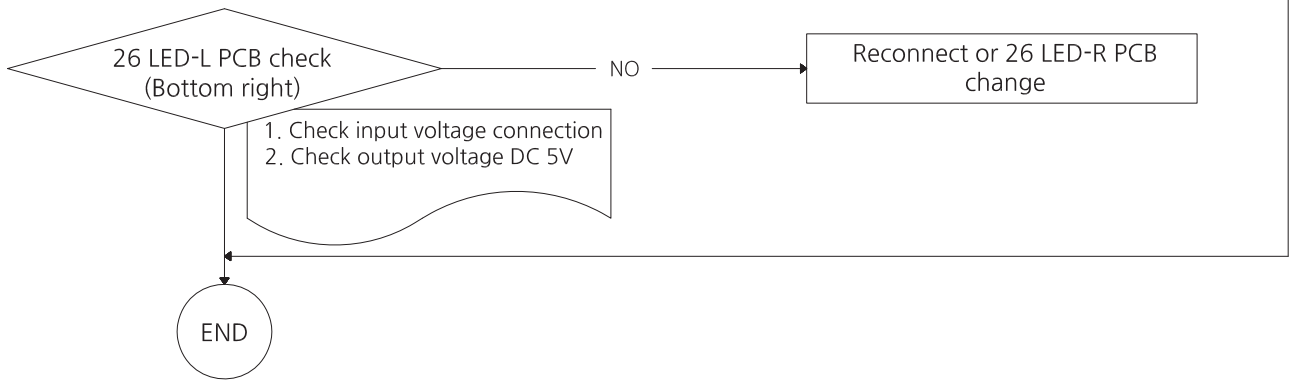
6-15. SIDE L LED ERROR (all)



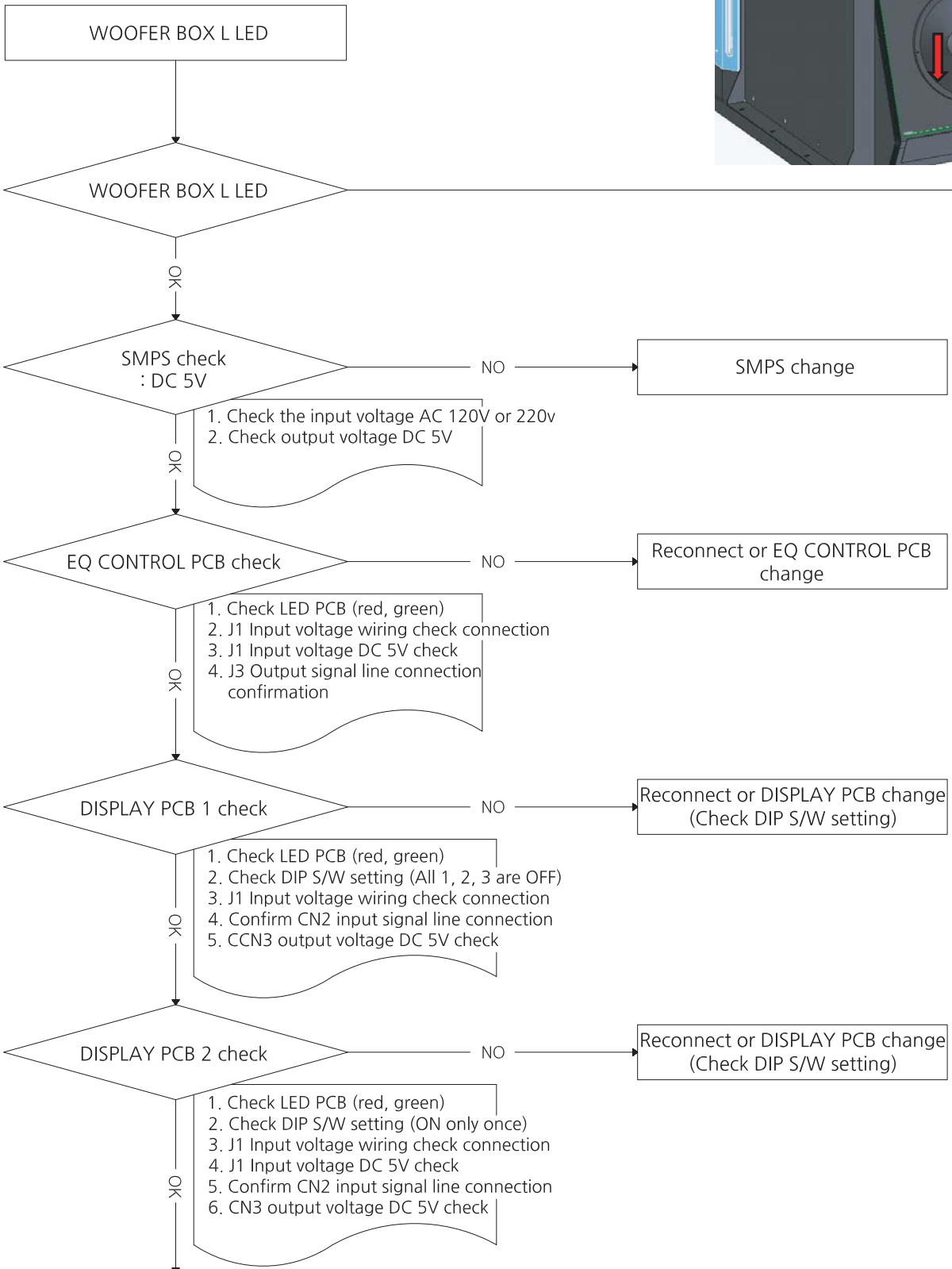
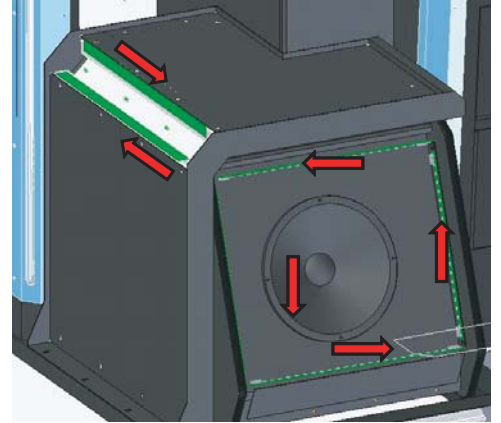


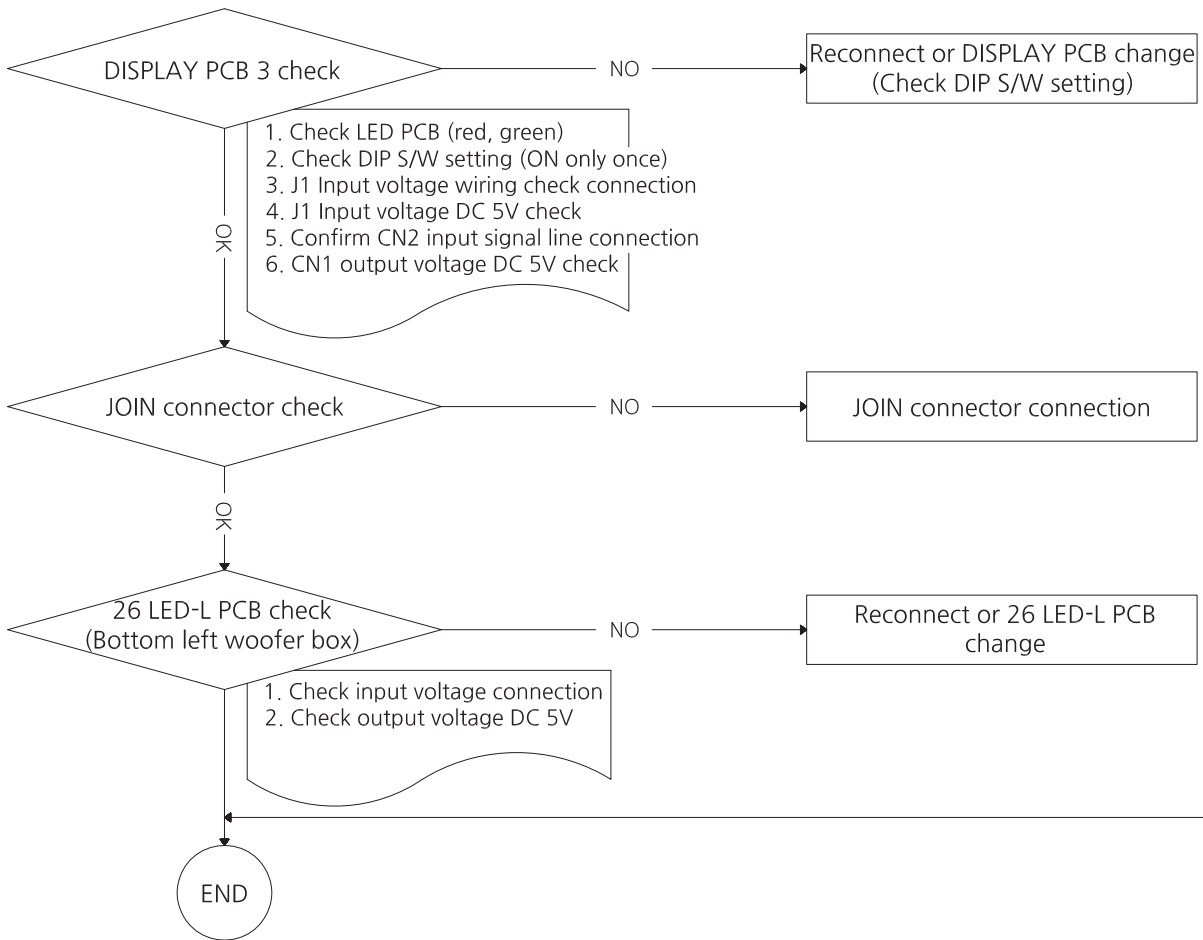
6-16. SIDE R LED ERROR (all)



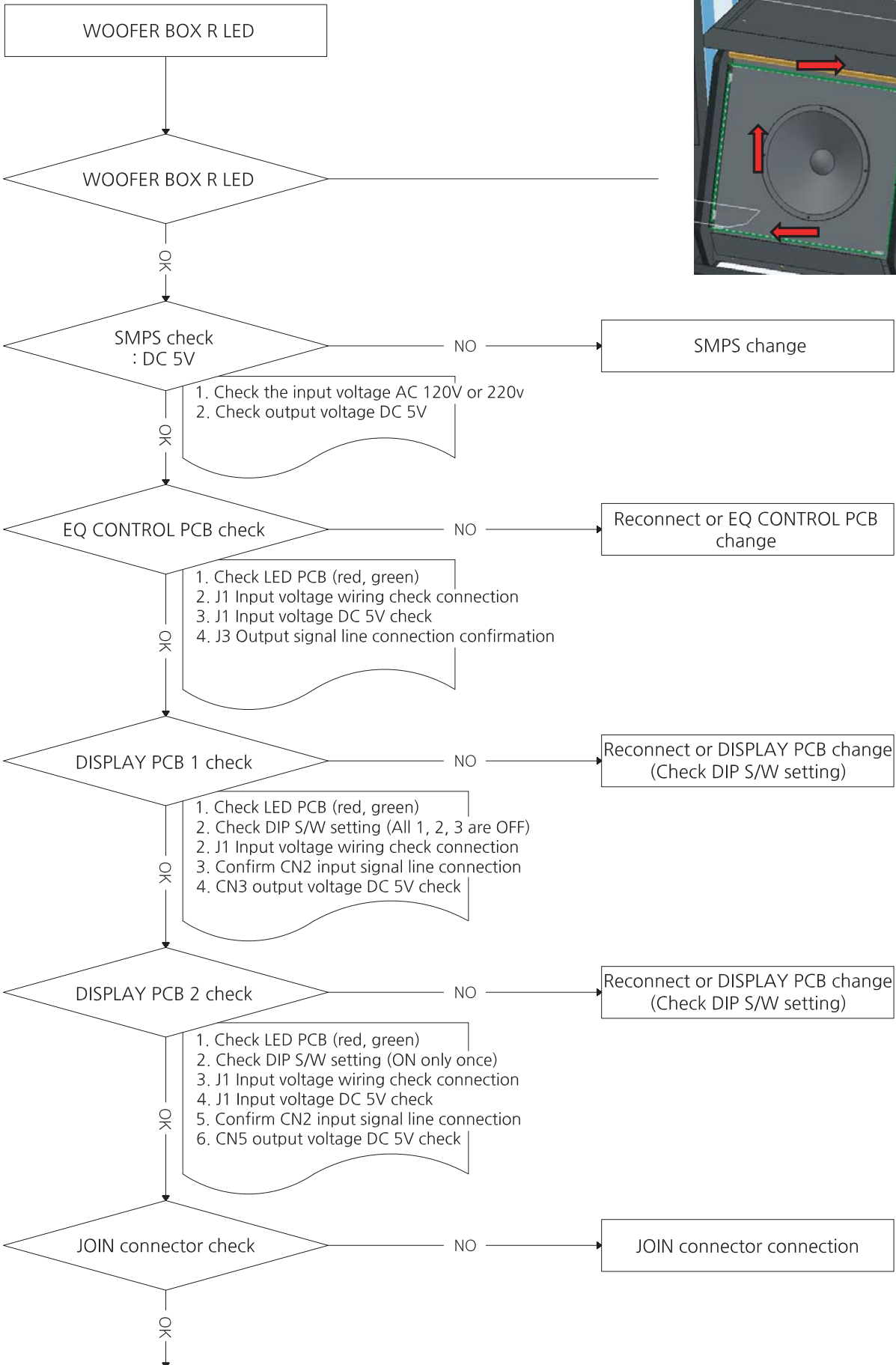
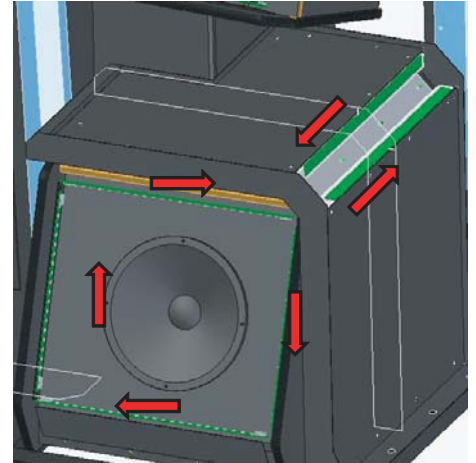


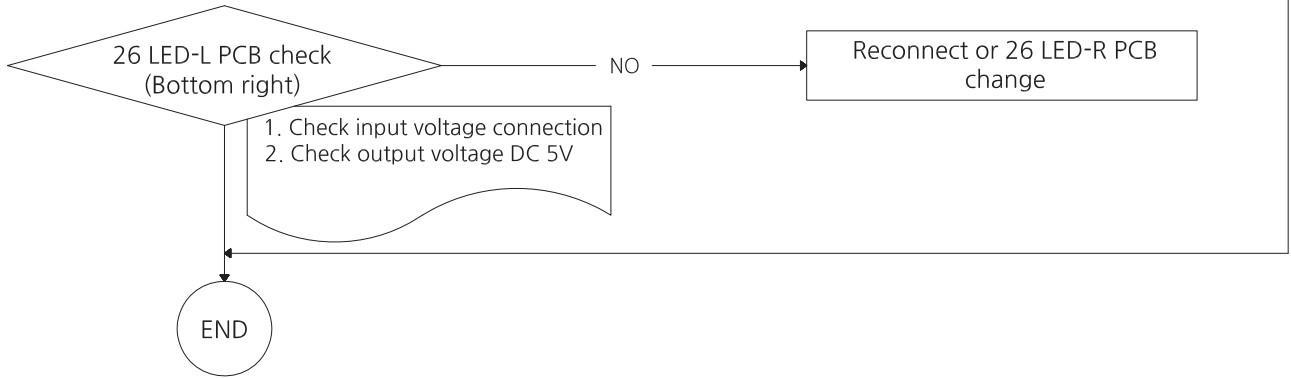
6-17. WOOFER BOX L LED ERROR (all)



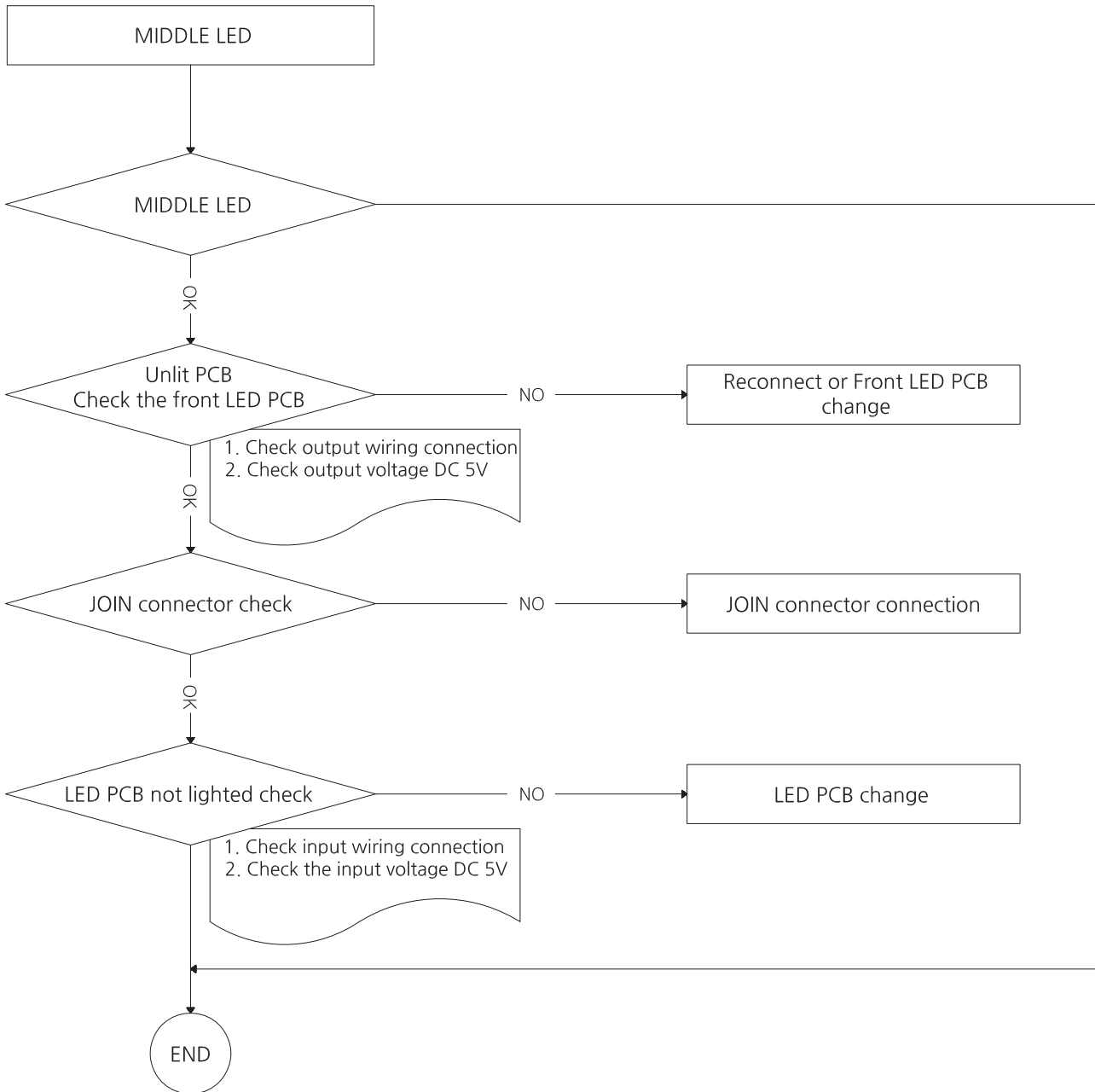


6-18. WOOFER BOX R LED ERROR (all)



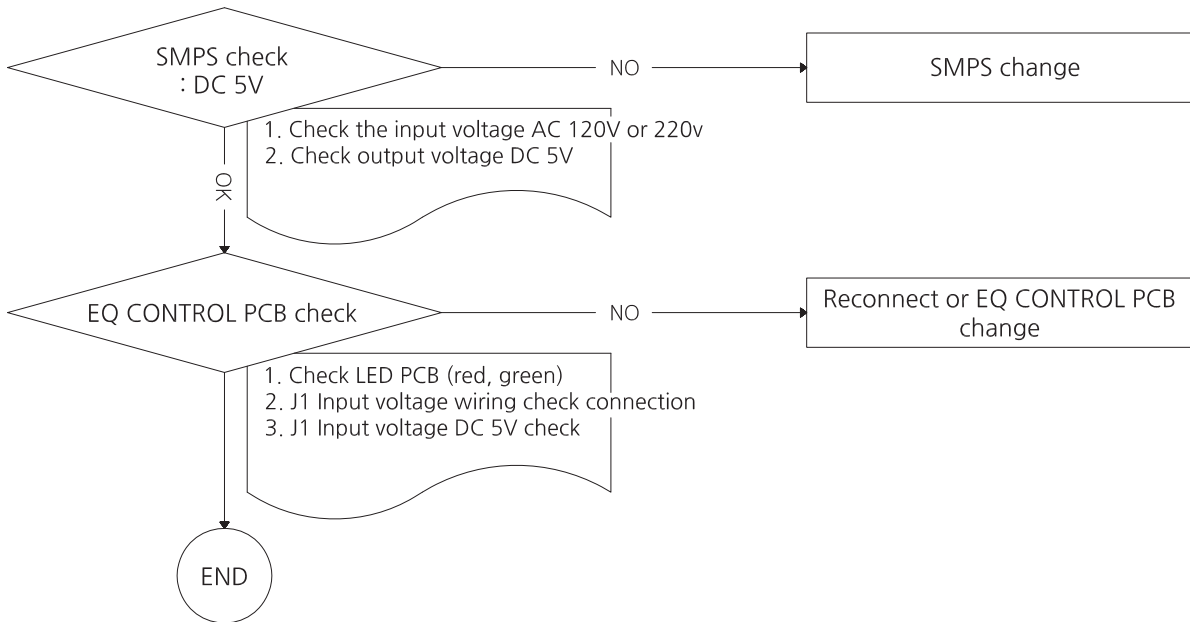


* COMMON_LED PCB ERROR (part)

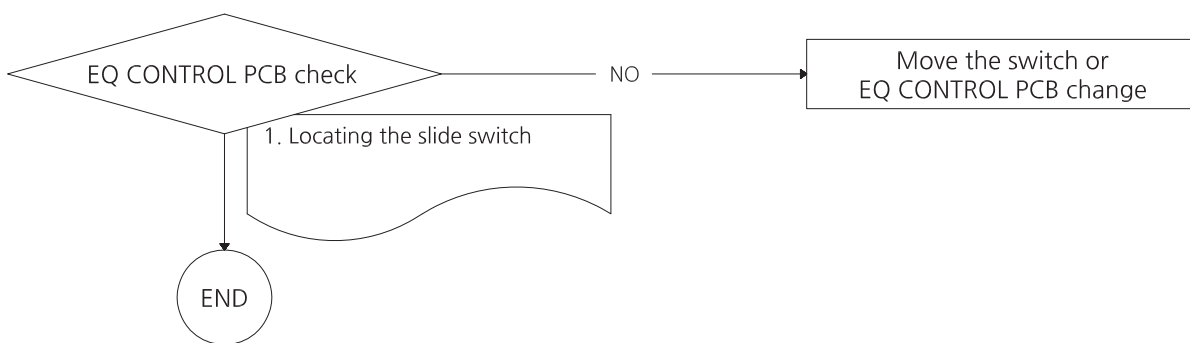


* LED DOT Only one color is wrong or not lit - Replace corresponding LED or replace LED PCB

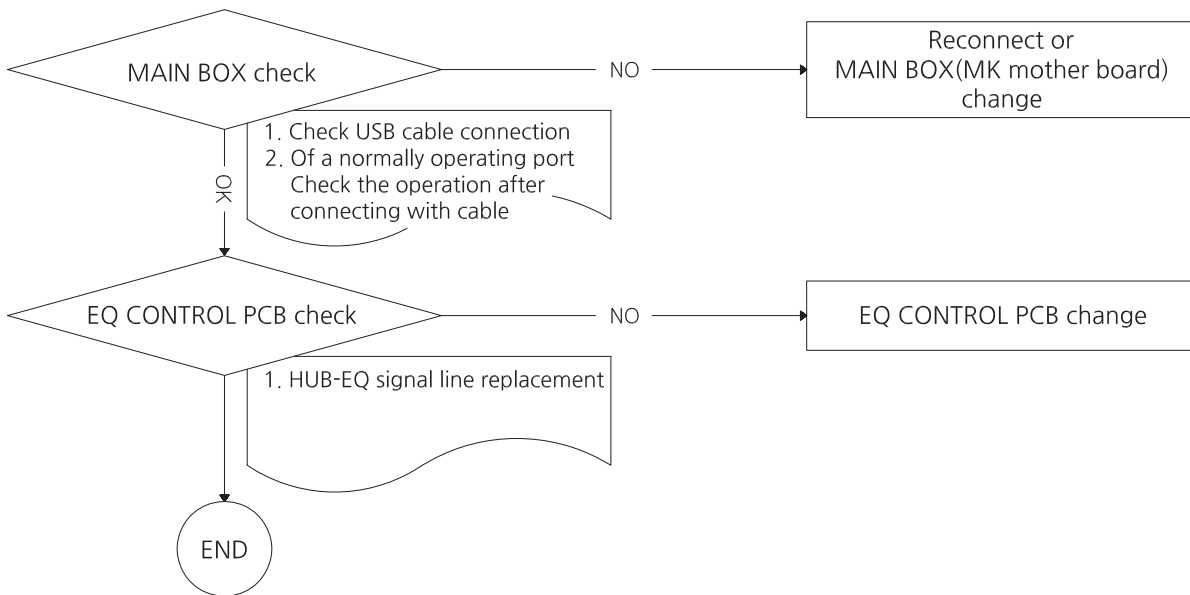
* IF ALL THE COLOR LEDS ARE NOT LIGHT ON



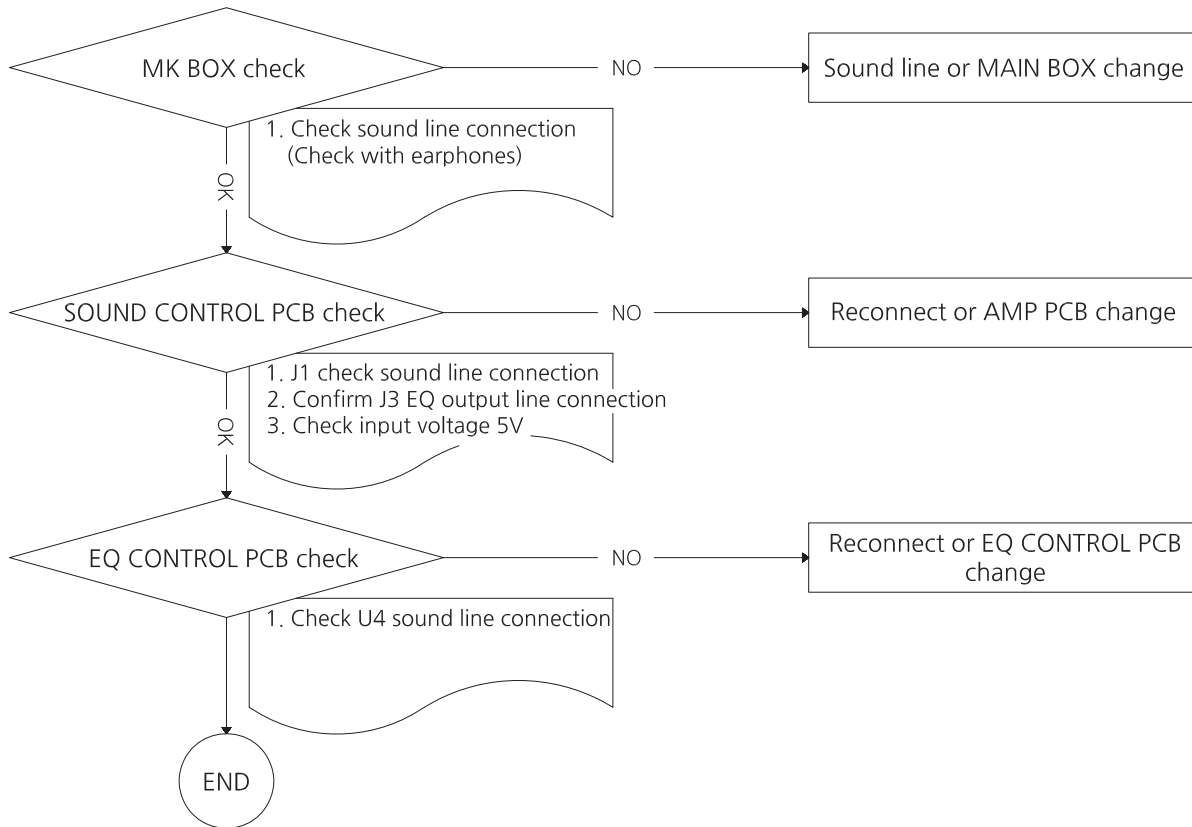
* WHEN THE COLOR LED IS LIT ONLY IN RED, GREEN, BLUE, AND WHITE



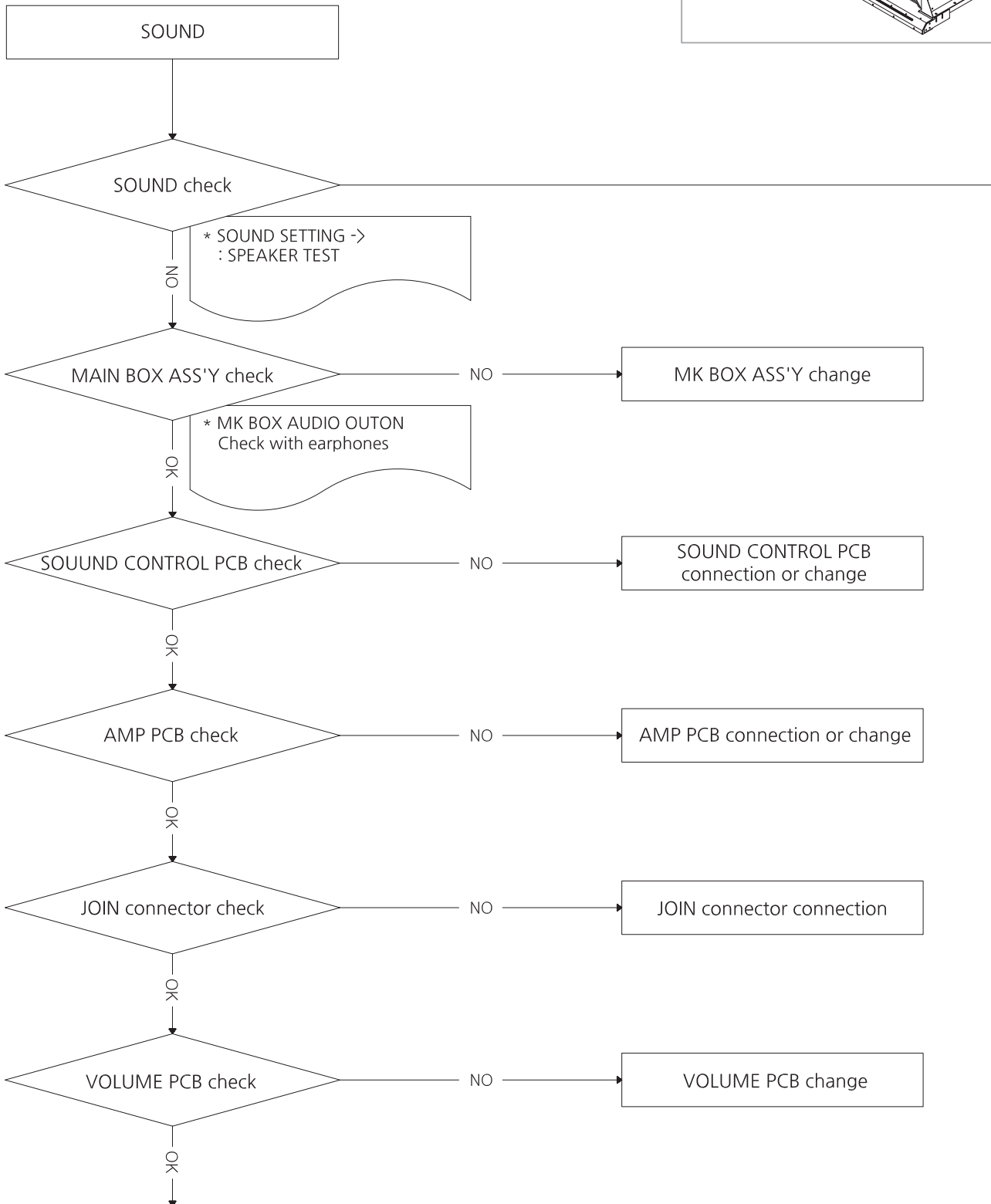
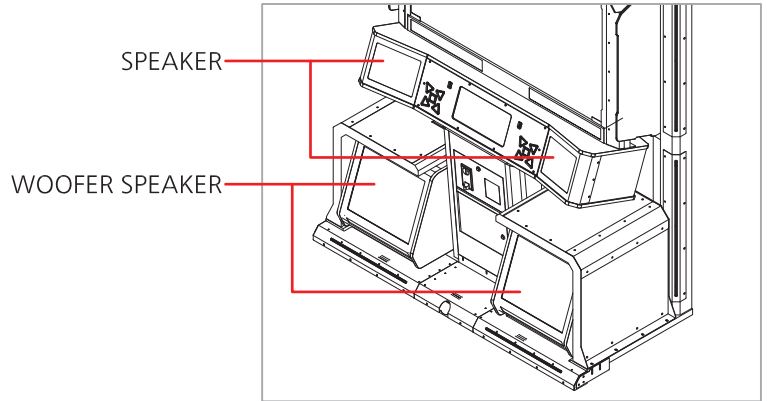
* WHEN THE COLOR LED IS ONLY LIT IN WHITE, BLUE, OR OFF

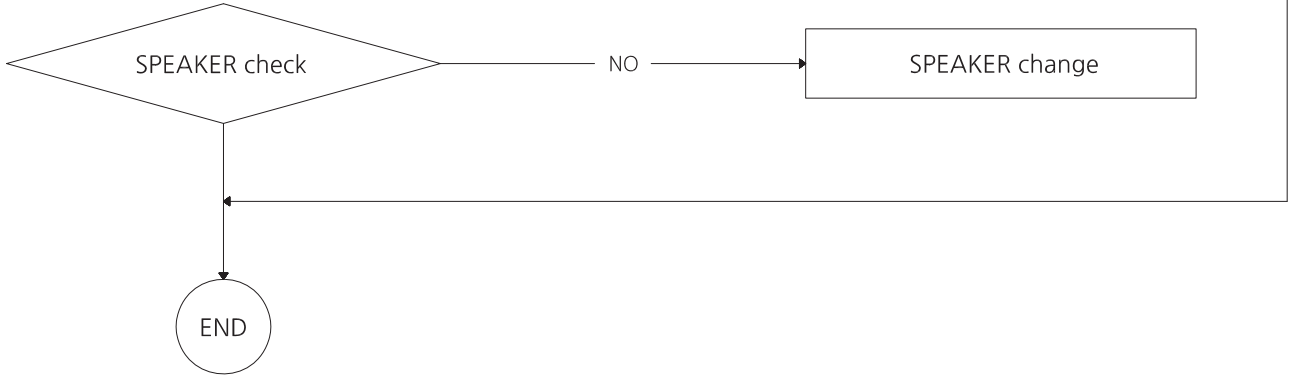


6-19. WHEN THE WHITE LIGHT AND THE BLUE LIGHT COME OUT ONLY OCCASIONALLY (EQ malfunction)



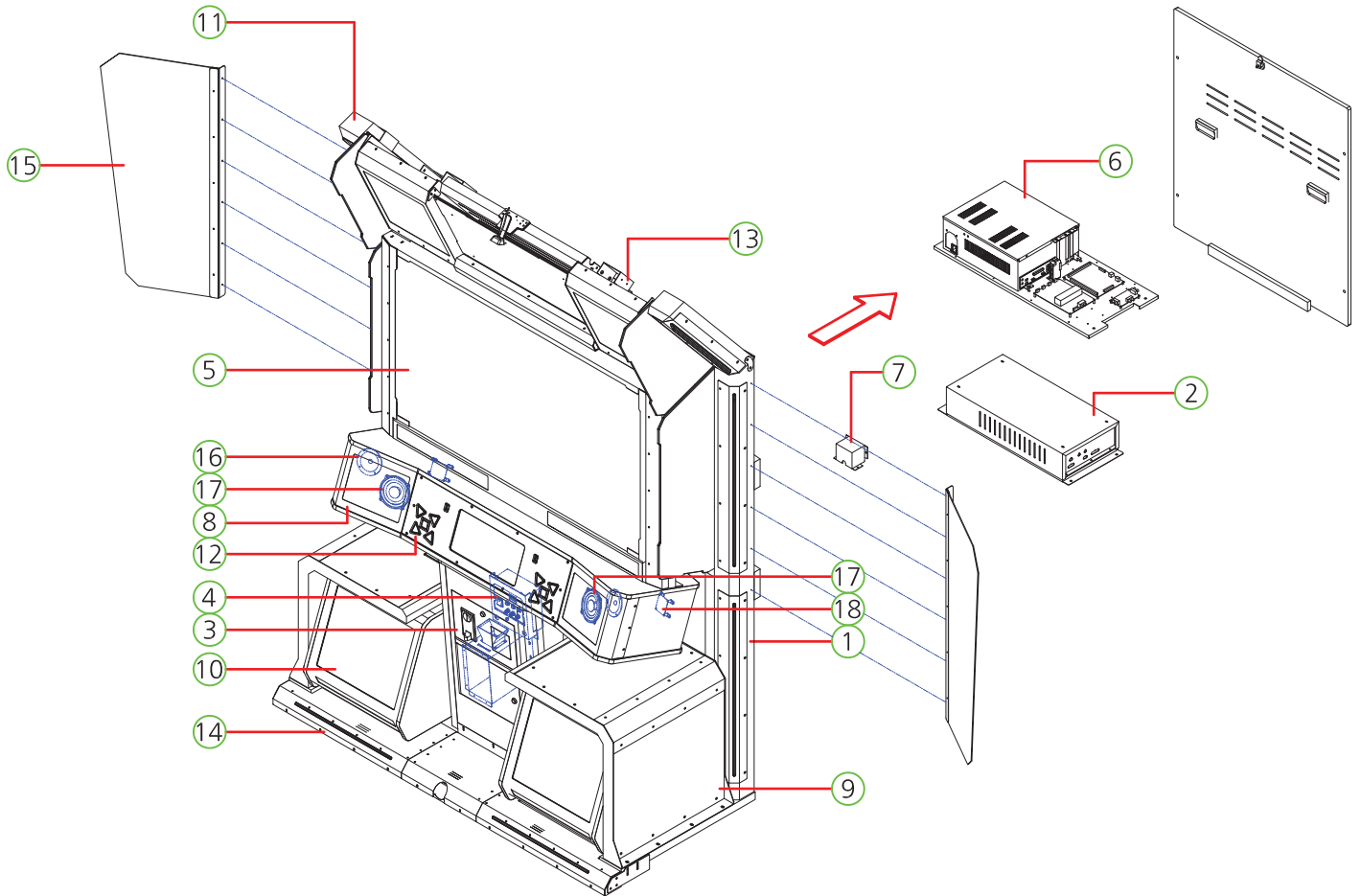
6-20. SOUND ERROR





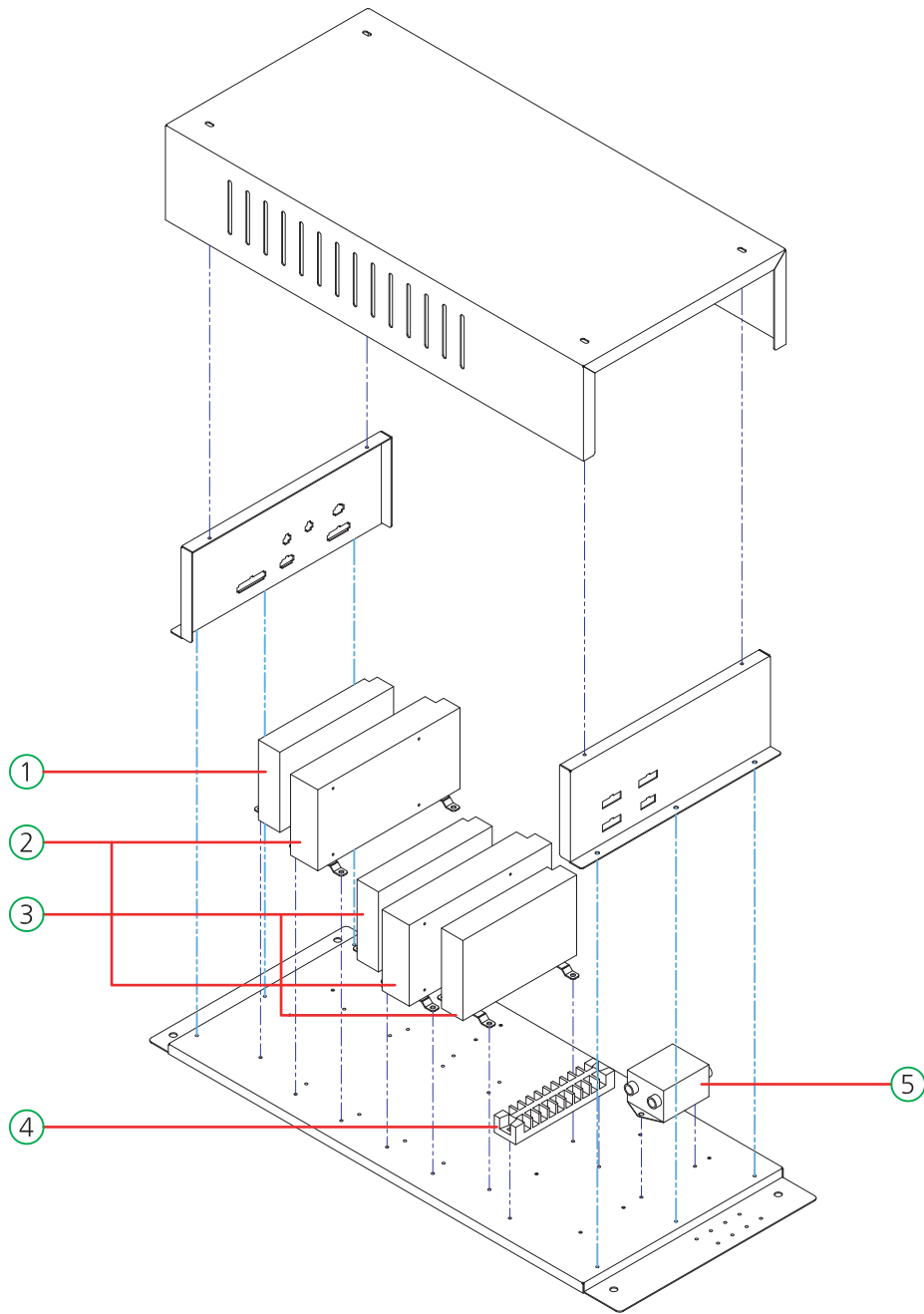
7. EXPLODED VIEW

7-1. MAIN CABINET PART



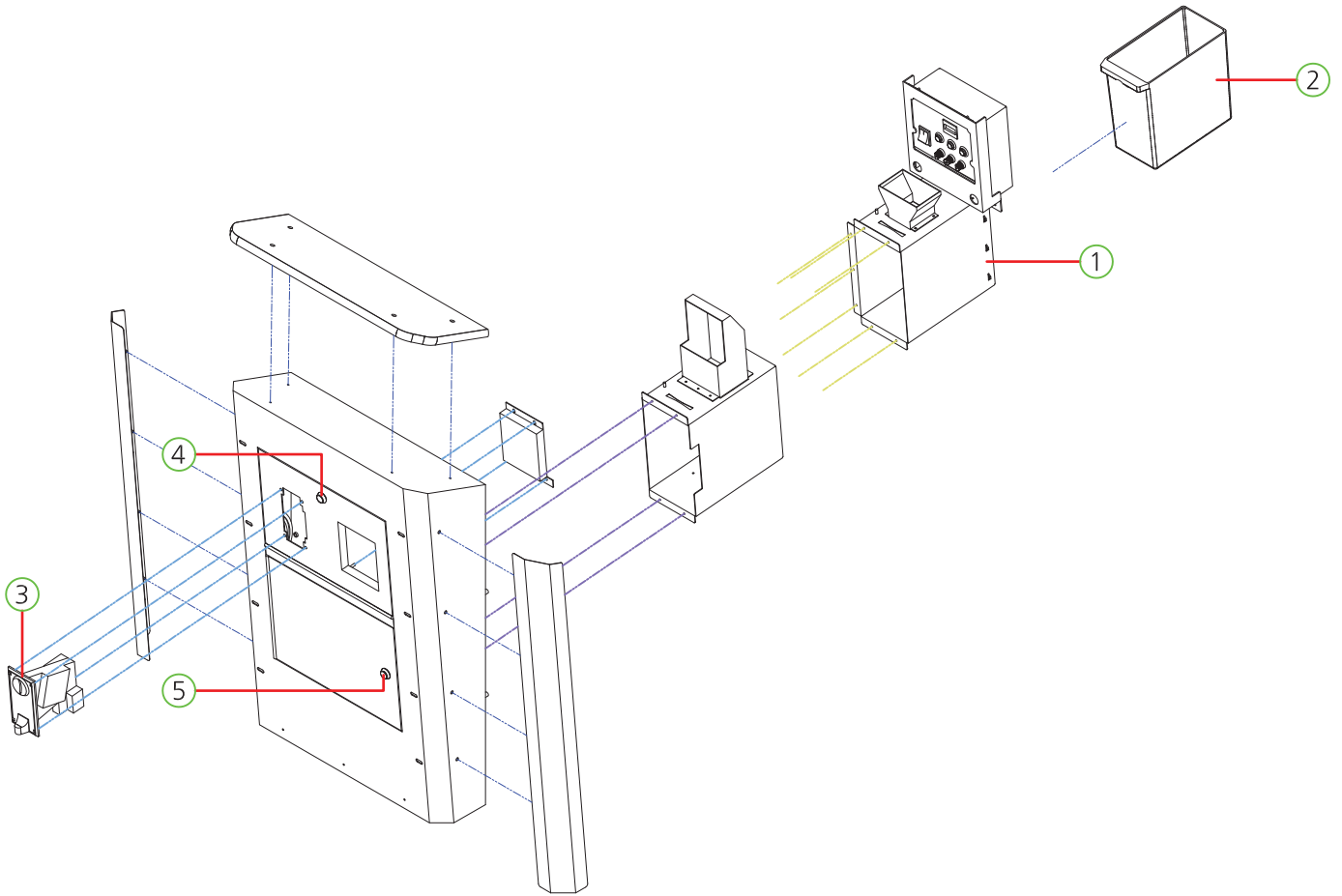
NO.	PART NAME	SPEC.	QUANTITY	CODE NO.
1	MAIN CABINET	-	1	-
2	POWER BASE PART	-	1	-
3	COIN DOOR CASE PART	-	1	-
4	SETUP PANEL PART	-	1	-
5	MONITOR PART	-	1	-
6	PC BASE PART	-	1	-
7	AC INPUT PART	-	1	-
8	MID SPEAKER SIDE COVER L,R PART	-	2	-
9	SPEAKER DECO PART	-	2	-
10	WOOFER SPEAKER COVER L,R PART	-	2	-
11	LIGHT COLUME L,R PART	-	2	-
12	MID SPEAKER FRONT COVER PART	-	2	-
13	BILLBOARD PART	-	1	-
14	BASE LIGHT DECO PART	-	1	-
15	[OPTION] POP PART	-	1	-
16	SPEAKER	-	2	MZZZOSPE026
17	SPEAKER	5.25"	2	MZZZOSPE027
18	SPEAKER NETWORK PCB ASS'Y	-	2	APUTOPCB007

7-2. POWER BASE PART



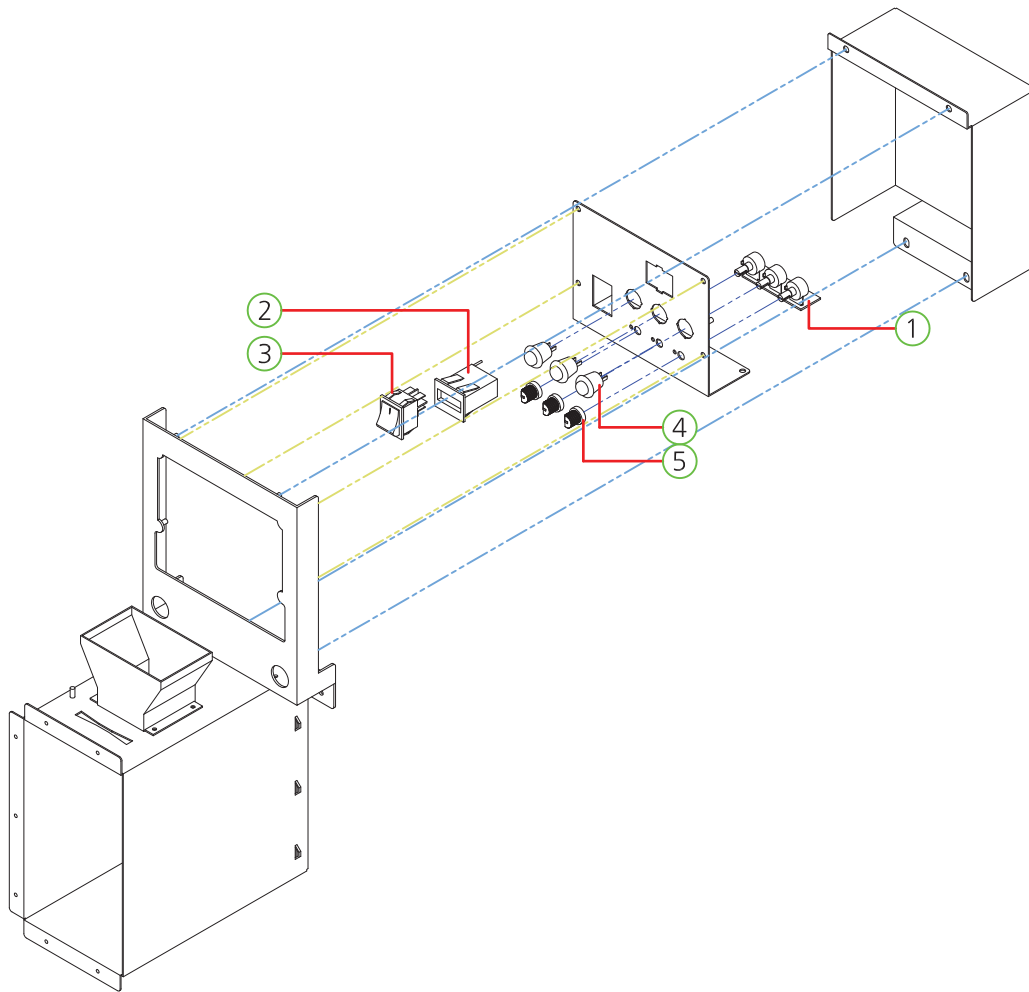
NO.	PART NAME	SPEC.	QUANTITY	CODE NO.
1	POWER SMPS	LRS-150F-5V	1	MELE0SMP096
2	POWER SMPS	NES-150-24V	2	MELE0SMP049
3	POWER SMPS	LRS-150F-12V	2	MELE0SMP090
4	TERMINAL BLOCK	250V, 10P	1	MELE0TEB003
5	NOISE FILTER	ES1-F10	1	MELE0NOI006

7-3. COIN DOOR CASE PART



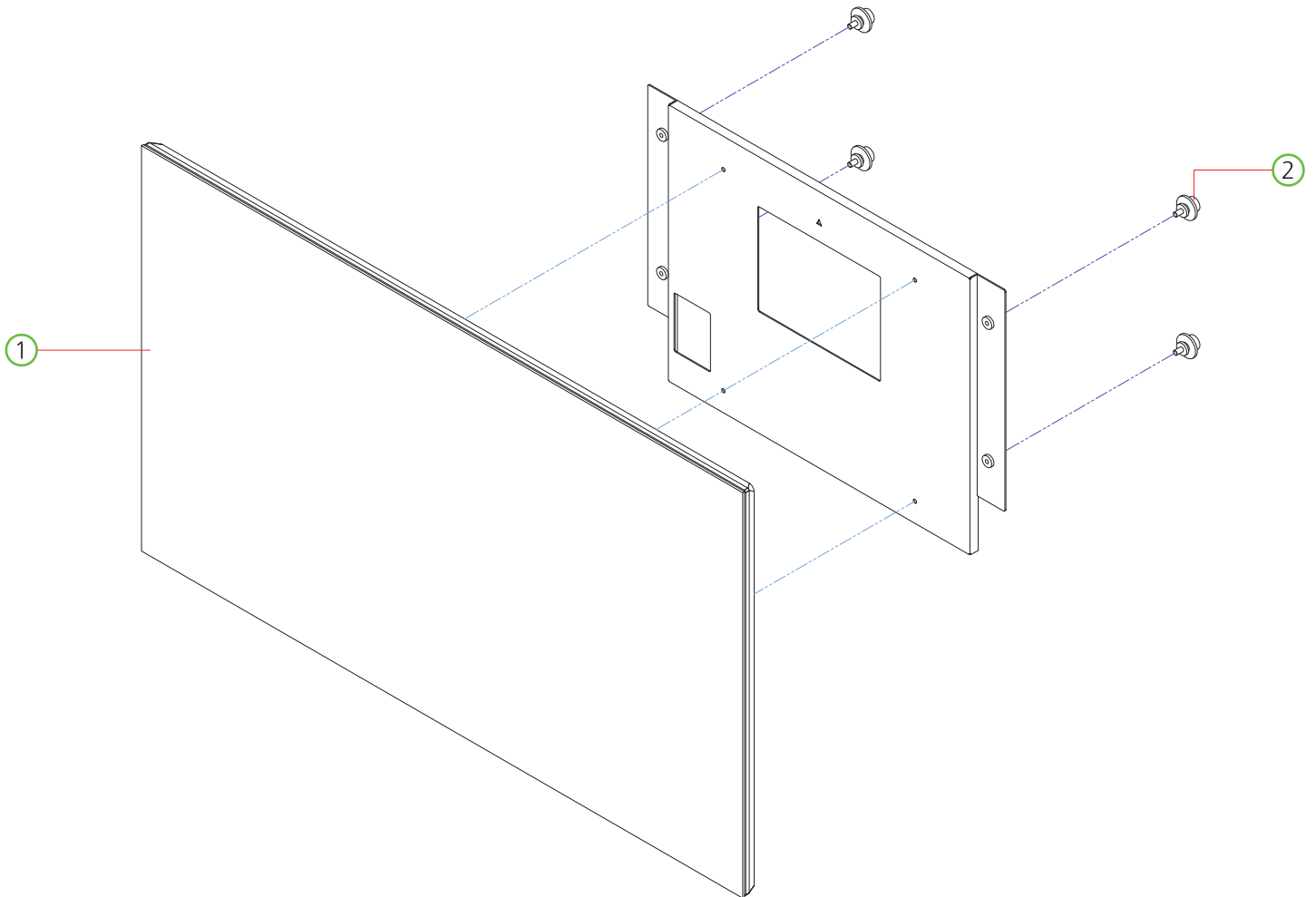
NO.	PART NAME	SPEC.	QUANTITY	CODE NO.
1	SETUP PANEL ASS'Y	-	1	-
2	COIN BOX	-	1	MDRE0PLA007
3	COIN SELECTOR	TW-333	1	MZZZ0COS045
4	KEY ASS'Y	7001	1	MZZZ0KEY076
5	KEY ASS'Y	6001	1	MZZZ0KEY075

7-4. SETUP PANEL PART



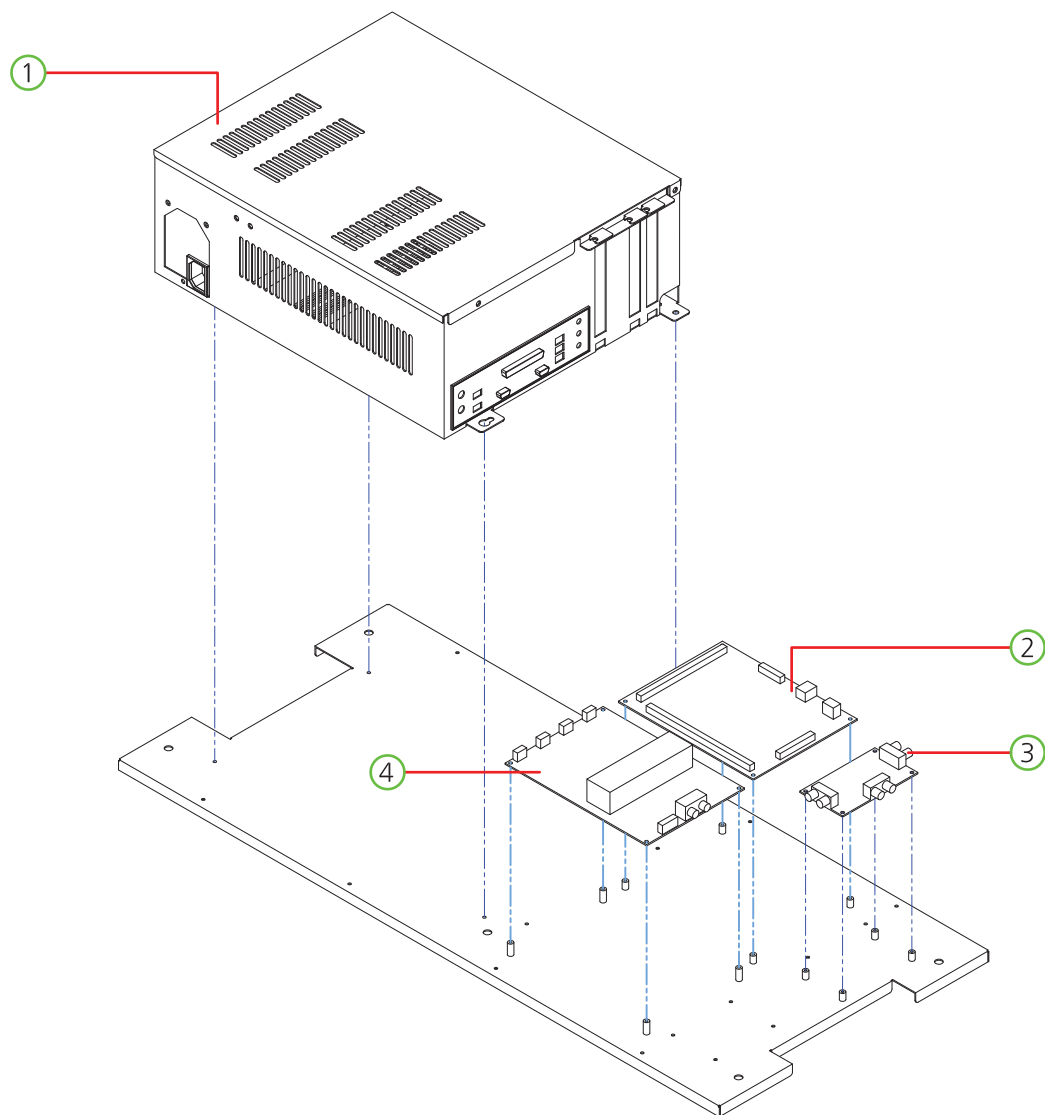
NO.	PART NAME	SPEC.	QUANTITY	CODE NO.
1	VOLUME PCB ASS'Y	3CH	1	APUJ0PCB005
2	COUNTER	712	1	MZZZ0COU002
3	ROCKER SWITCH	T-125, 4P	1	MELE0SWI004
4	PUSH BUTTON SWITCH	HS_412R	3	MELE0PUS001
5	VOLUME KONB	-	3	MELE0VOL007

7-5. MONITOR PART



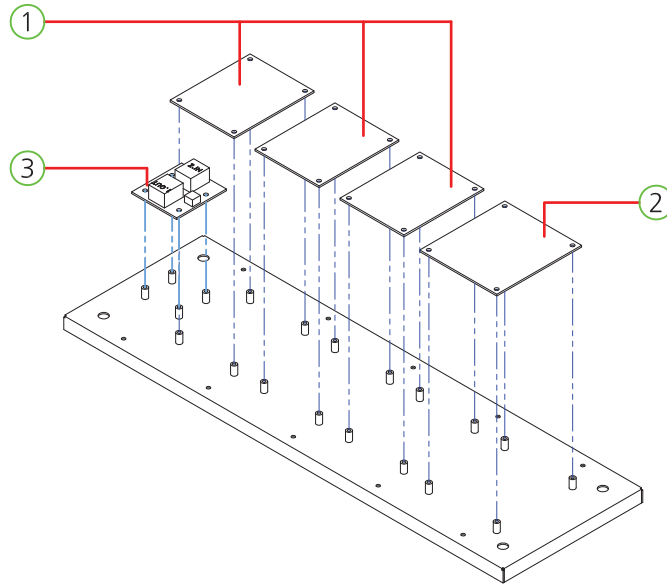
NO.	PART NAME	SPEC.	QUANTITY	CODE NO.
1	LED MONITOR	55"	1	MZZZ0MON040
2	WALL MOUNT BLOCK	-	4	MPUJ0ZZZ003

7-6. PC BASE PART



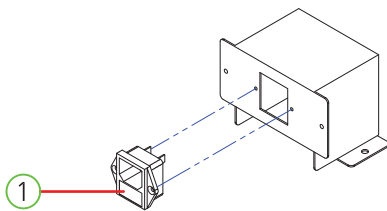
NO.	PART NAME	SPEC.	QUANTITY	CODE NO.
1	MAIN BOX ASS'Y	-	1	-
2	PIU IO PCB ASS'Y	-	1	AZZ0PCB145
3	DSP SOUND DVI PCB ASS'Y	-	1	APLX0PCB012
4	DIGITAL AMP 100W PCB ASS'Y	-	1	APLX0PCB011

7-7. PCB BASE PART



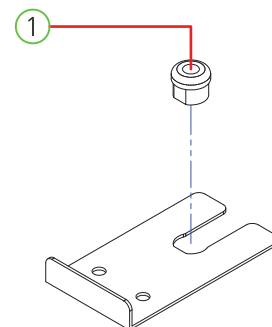
NO.	PART NAME	SPEC.	QUANTITY	CODE NO.
1	WS2813B DISPLAY PCB ASS'Y	-	3	APLX0PCB002
2	EQ CONTROL PCB ASS'Y	-	1	APLX0PCB001
3	LAN JOIN PCB ASS'Y	-	1	AZZZ0PCB096

7-8. AC INPUT PART



NO.	PART NAME	SPEC.	QUANTITY	CODE NO.
1	AC INPUT	DAC-13H	1	MELE0SWI015
2	FUSE	250V, 10A	2	MELE0FUS018

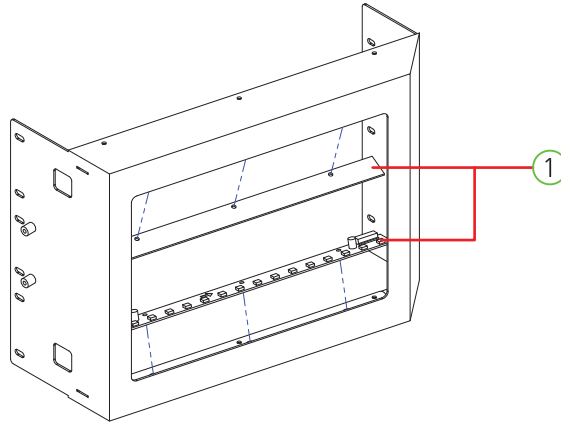
7-9. LAN CABLE PART



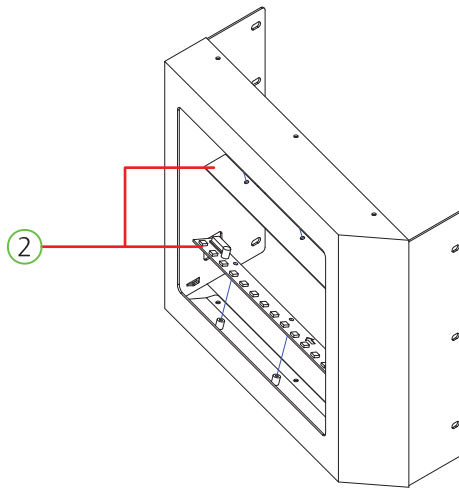
NO.	PART NAME	SPEC.	QUANTITY	CODE NO.
1	CABLE STOPPER	5NR-16	1	MELE0CAB026

7-10. MID SPEAKER SIDE COVER L,R PART

L

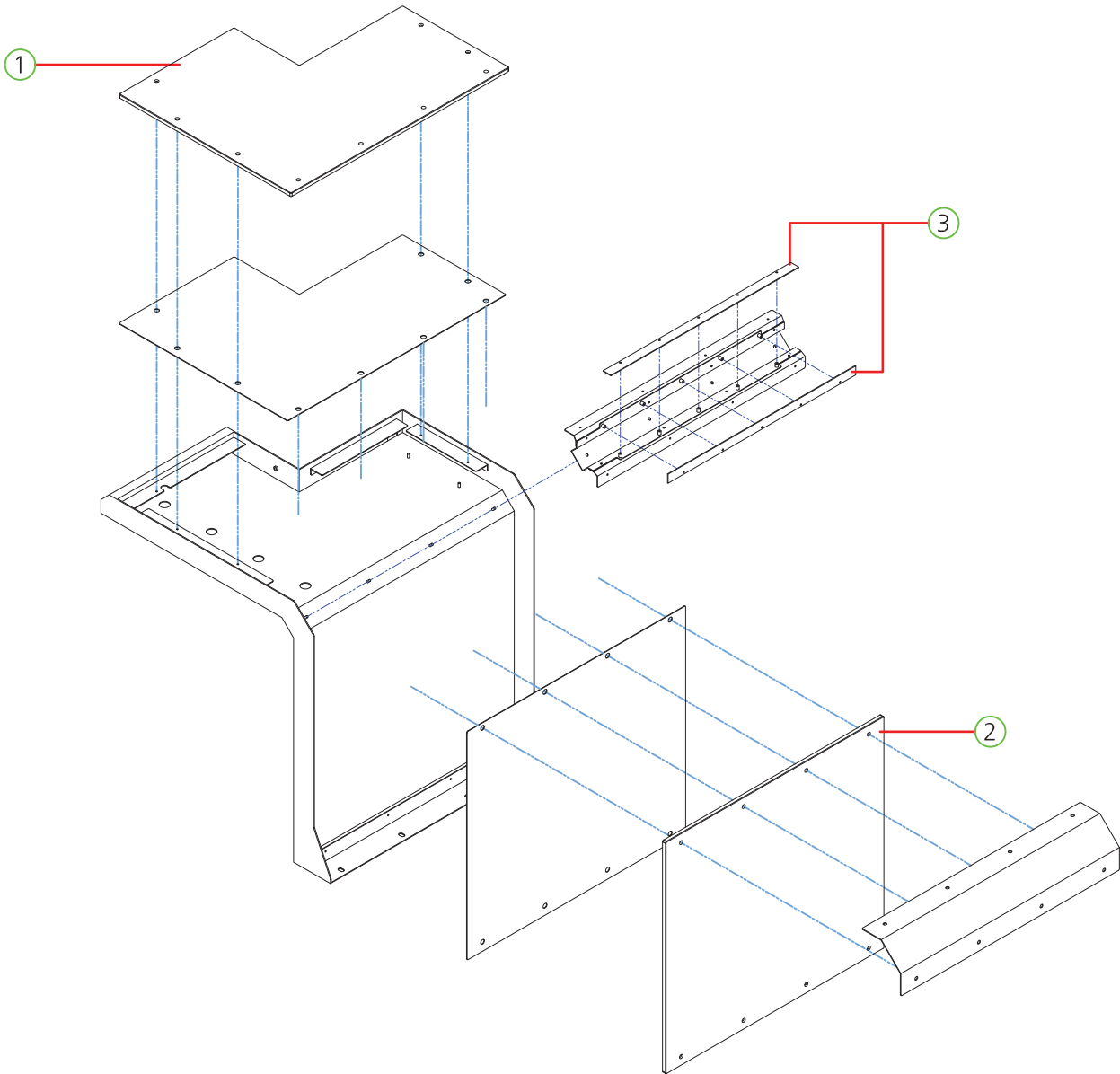


R



NO.	PART NAME	SPEC.	QUANTITY	CODE NO.
1	16EA- L LED PCB ASS'Y	-	2	APLX0PCB007
2	16EA- R LED PCB ASS'Y	-	2	APLX0PCB003

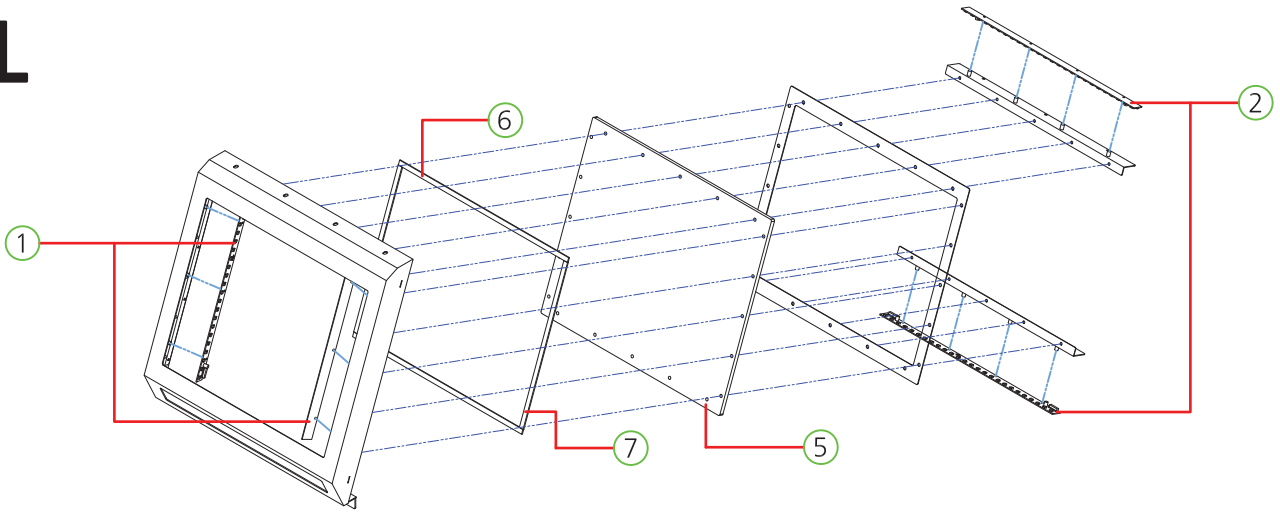
7-11. SPEAKER DECO PART



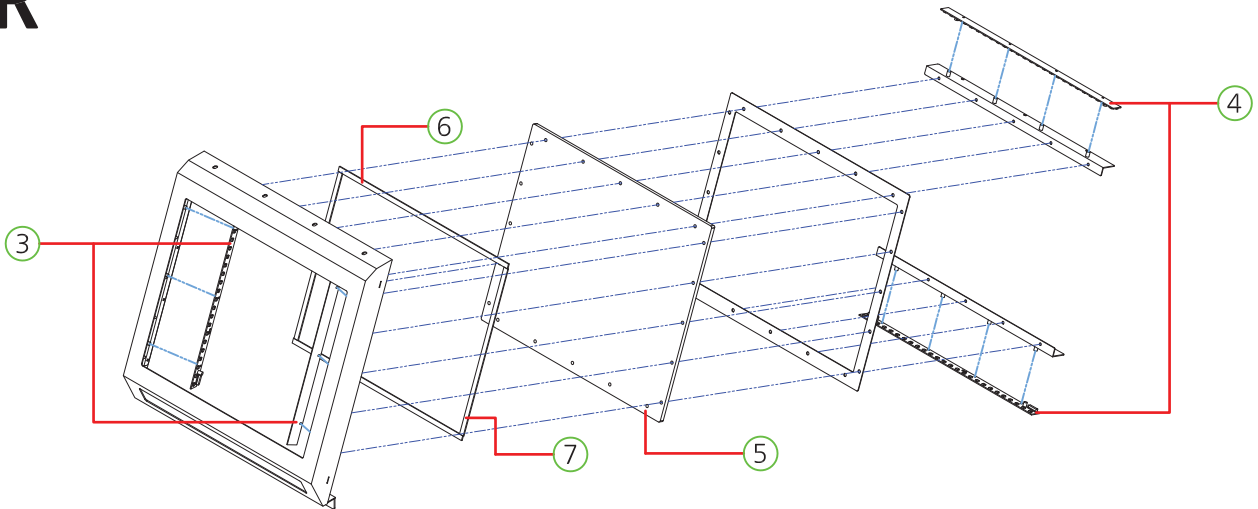
NO.	PART NAME	SPEC.	QUANTITY	CODE NO.
1	SPEAKER DECO TOP ACRYL-R	ACRYL-8.0t	1	MPLX0ACR015
2	SPEAKER DECO TOP ACRYL-R	ACRYL-8.0t	1	MPLX0ACR014
3	30EA-L LED PCB ASS'Y	-	2	MPLX0PCB006
	30EA-R LED PCB ASS'Y	-	2	MPLX0PCB010

7-12. WOOFER SPEAKER COVER L,R PART

L

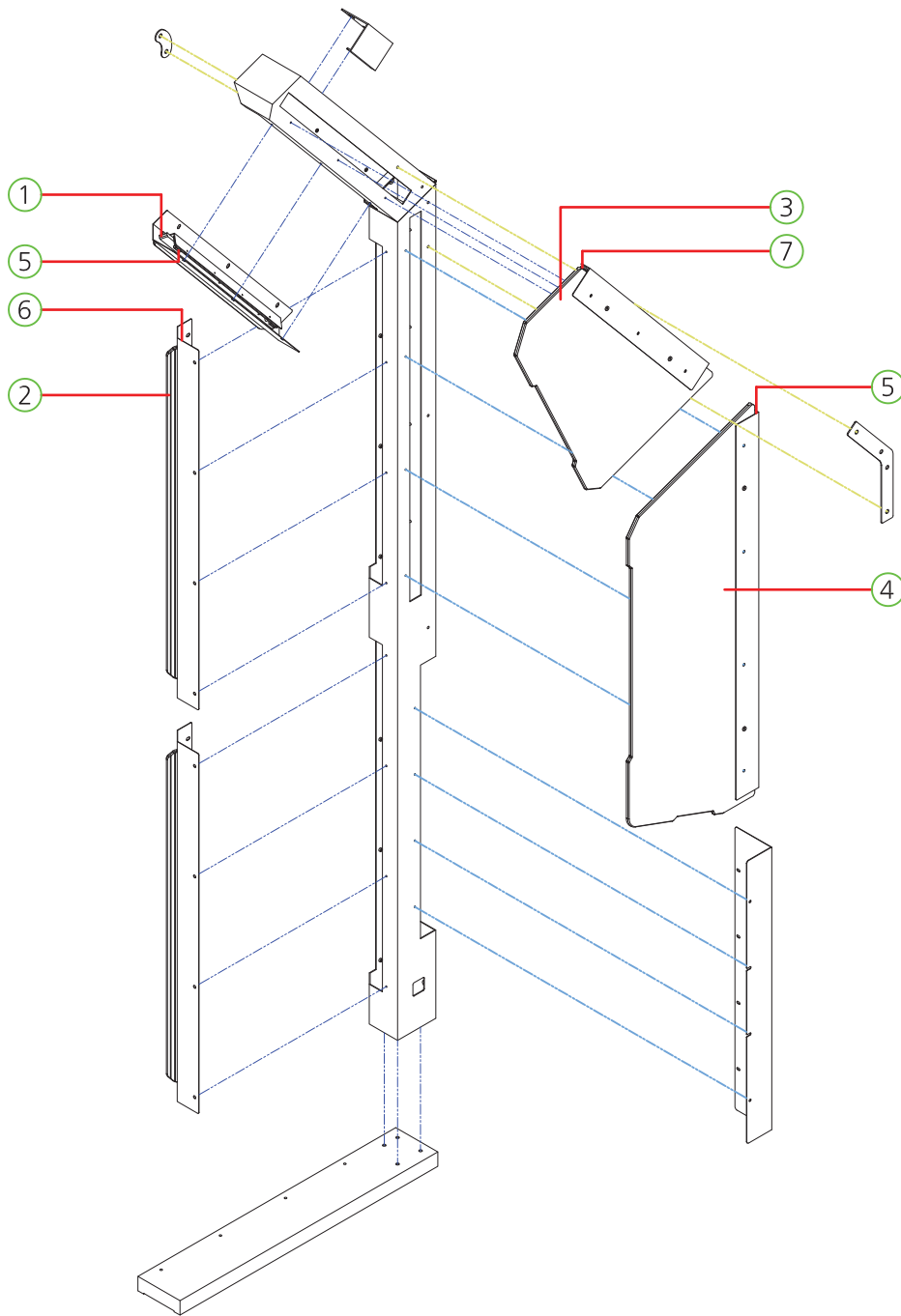


R



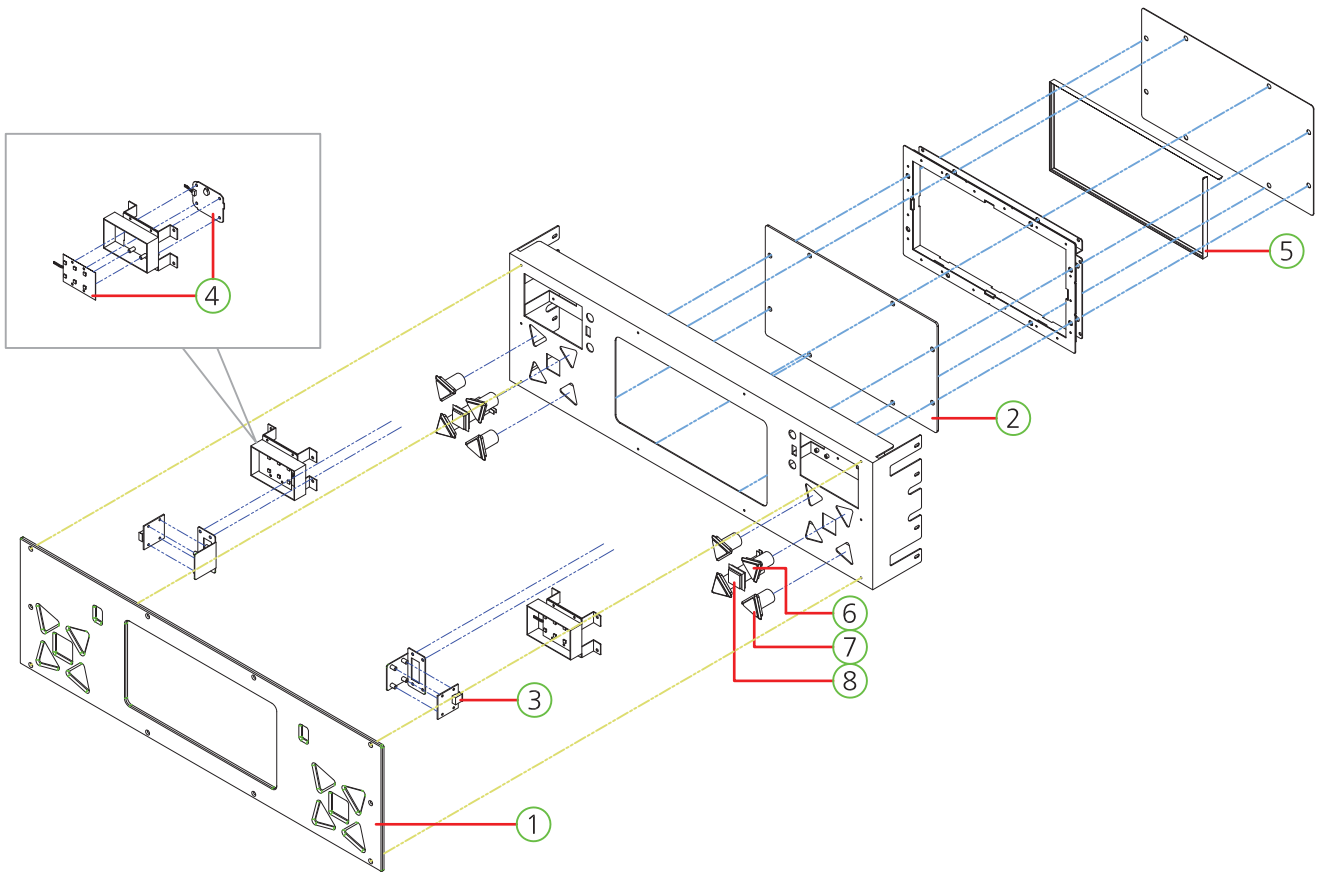
NO.	PART NAME	SPEC.	QUANTITY	CODE NO.
1	21EA_L LED PCB ASS'Y	-	2	APLX0PCB004
2	26EA_R LED PCB ASS'Y	-	2	APLX0PCB005
3	21EA_R LED PCB ASS'Y	-	2	APLX0PCB008
4	26EA_R LED PCB ASS'Y	-	2	APLX0PCB009
5	WOOFER SPEAKER ACRYL	ACRYL-8.0t	2	APLX0ACR024
6	SPONGE TOP	-	2	-
7	SPONGE SIDE	-	2	-

7-13. LIGHT COLUME L PART



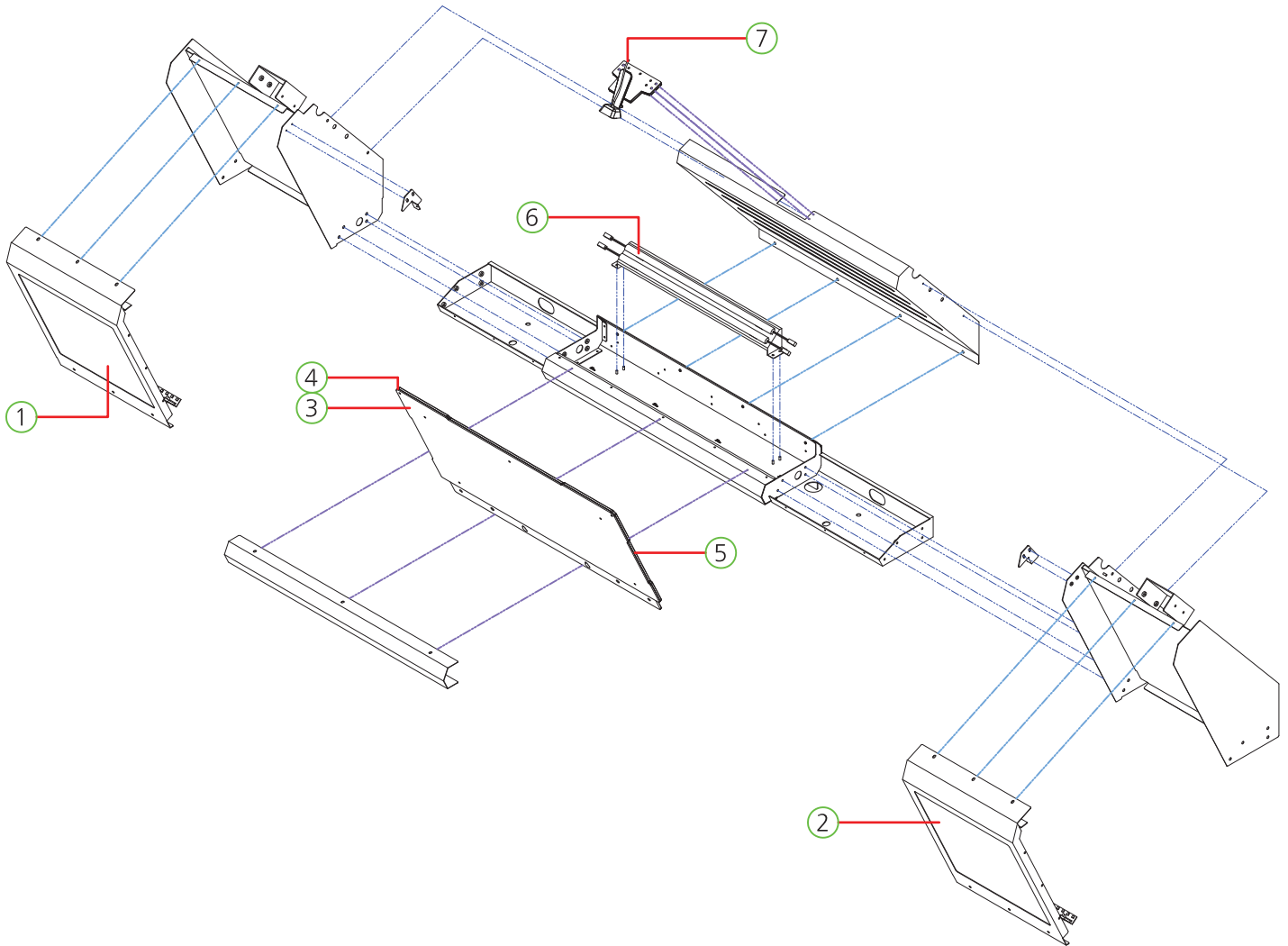
NO.	PART NAME	SPEC.	QUANTITY	CODE NO.
1	LIGHT COLUMN SMALL COVER ACRYL	ACRYL-8.0t	1	MPLX0ACR011
2	LIGHT COLUMN LARGE COVER ACRYL	ACRYL-8.0t	1	MPLX0ACR009
3	LIGHT COLUMN SMALL ACRYL-L	ACRYL-8.0t	1	MPLX0ACR020
4	LIGHT COLUMN LARGE ACRYL-L	ACRYL-8.0t	1	MPLX0ACR019
5	30EA_L LED PCB ASS'Y	-	1	MPLX0PCB006
6	21EA_L LED PCB ASS'Y	-	4	MPLX0PCB004
7	26EA_L LED PCB ASS'Y	-	3	MPLX0PCB005
	30EA_R LED PCB ASS'Y	-	1	MPLX0PCB010
	21EA_R LED PCB ASS'Y	-	4	MPLX0PCB008
	26EA_R LED PCB ASS'Y	-	3	MPLX0PCB009

7-14. MID SPEAKER FRONT COVER PART



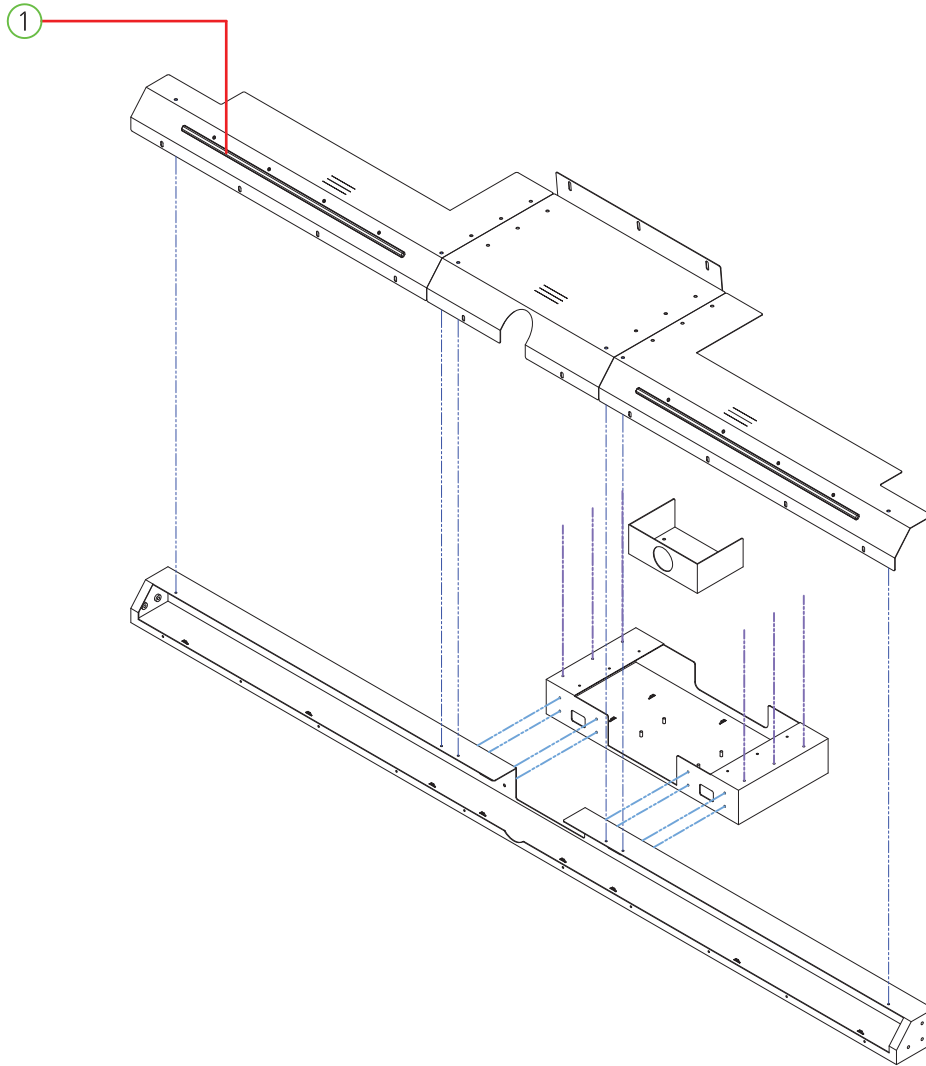
NO.	PART NAME	SPEC.	QUANTITY	CODE NO.
1	MID SPEAKER FRONT COVER ACRYL	ACRYL-5.0t	1	MPLX0ACR012
2	I.MIRROR BLACK MIRROR ACRYL	ACRYL-3.0t	1	MPLX0ACR007
3	USB ON/OFF PCB ASS'Y	-	2	APUF0PCB011
4	CARD READER PCB ASS'Y	-	2	MZZZ0PCB063
5	FLEX LED PCB ASS'Y	-	1	MPLX0HAN093
6	BUTTON SWITCH ASS'Y	RED	2	MZZZ0BUT116
7	BUTTON SWITCH ASS'Y	YELLOW	1	MZZZ0BUT118
8	BUTTON SWITCH ASS'Y	BLUE	2	MZZZ0BUT117

7-15. BILLBOARD PART



NO.	PART NAME	SPEC.	QUANTITY	CODE NO.
1	BILLBOARD SIDE COVER ACRYL-L	ACRYL-8.0t	1	MPLX0ACR018
2	BILLBOARD SIDE COVER ACRYL-R	ACRYL-8.0t	1	MPLX0ACR002
3	BILLBOARD TITLE FRONT ACRYL	ACRYL-3.0t	1	MPLX0ACR005
4	PIU BILLBOARD PRIME2	-0.5t	1	MPLX0ACR004
5	BILLBOARD TITLE BACK ACRYL	ACRYL-5.0t		MPLX0ACR003
6	12V_LED BAR PCB ASS'Y	-	2	AZZZ0PCB124
7	WEB CAM	-	1	MZZZ0000604

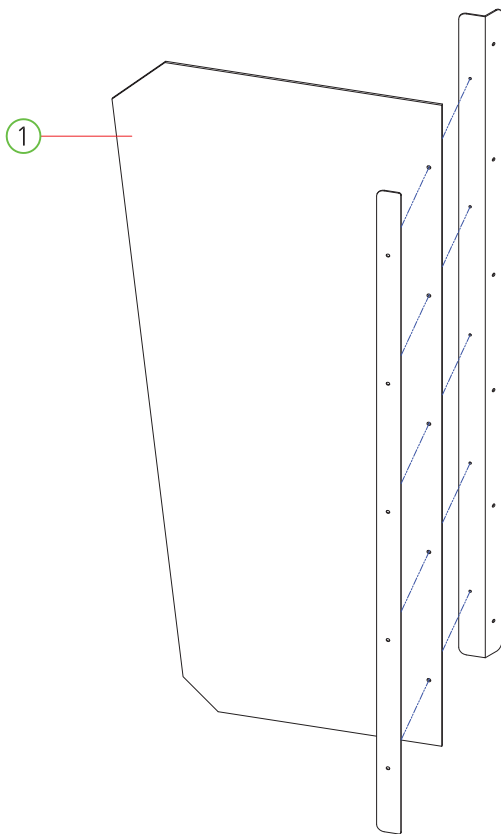
7-16. BASE LIGHT DECO PART



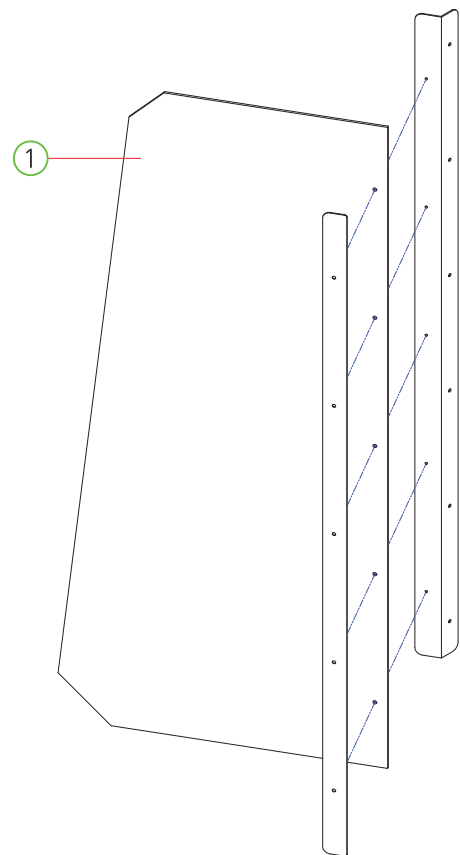
NO.	PART NAME	SPEC.	QUANTITY	CODE NO.
1	BASE LIGHT DECO ACRYL	ACRYL-8.0t	2	MPLX0ACR001

7-17. [OPTION] POP PART

L



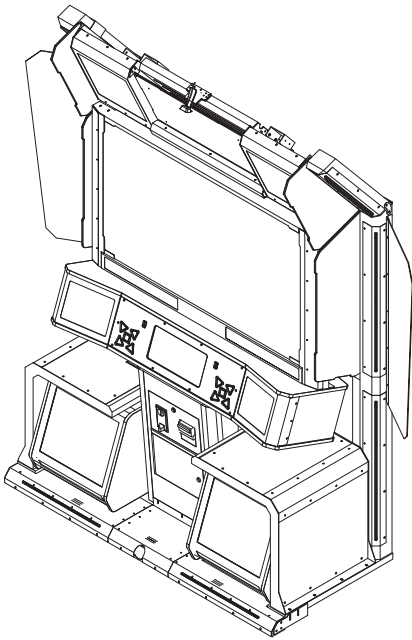
R



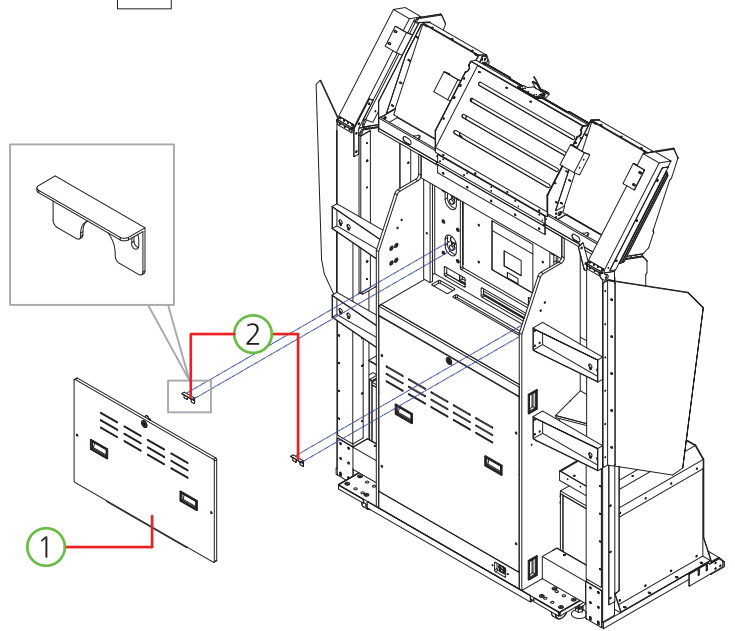
NO.	PART NAME	SPEC.	QUANTITY	CODE NO.
1	SIDE POP-L, R	-	2	MPLX0ACR021, 016

* HOW TO REPLACE THE MONITOR

1

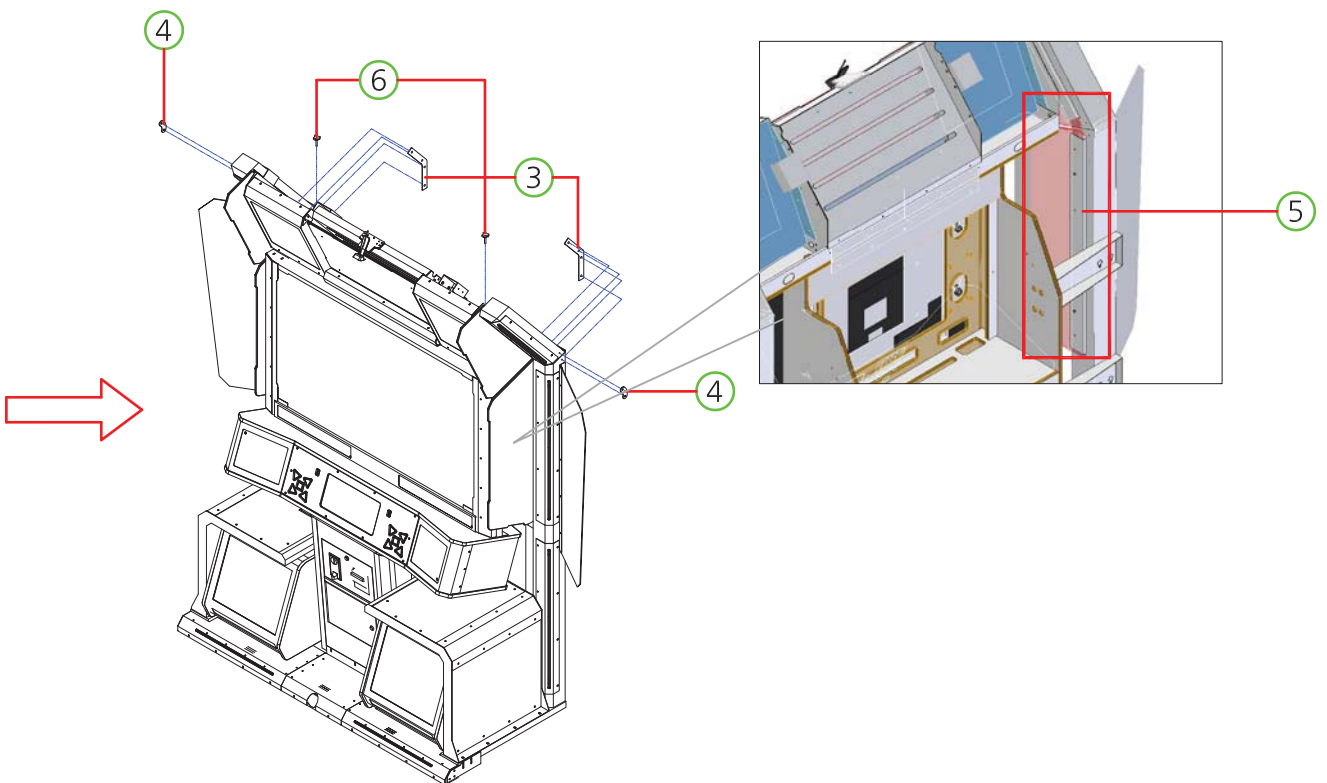


2



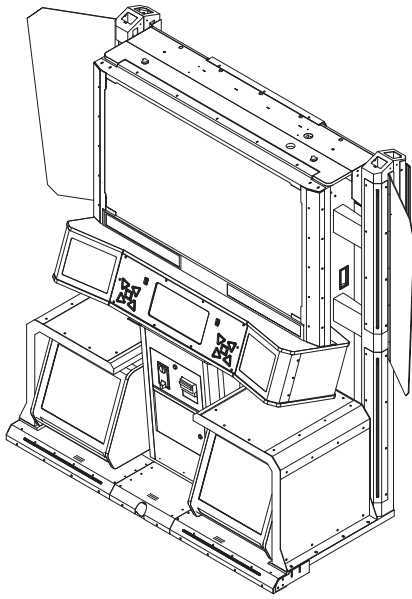
- MAIN CABINET Rear (1) UPPER DOOR 7001 key
Use the door to open.
- (2) Unscrew MOUNT FIX BKT [M4 bolts, 2 places].

3

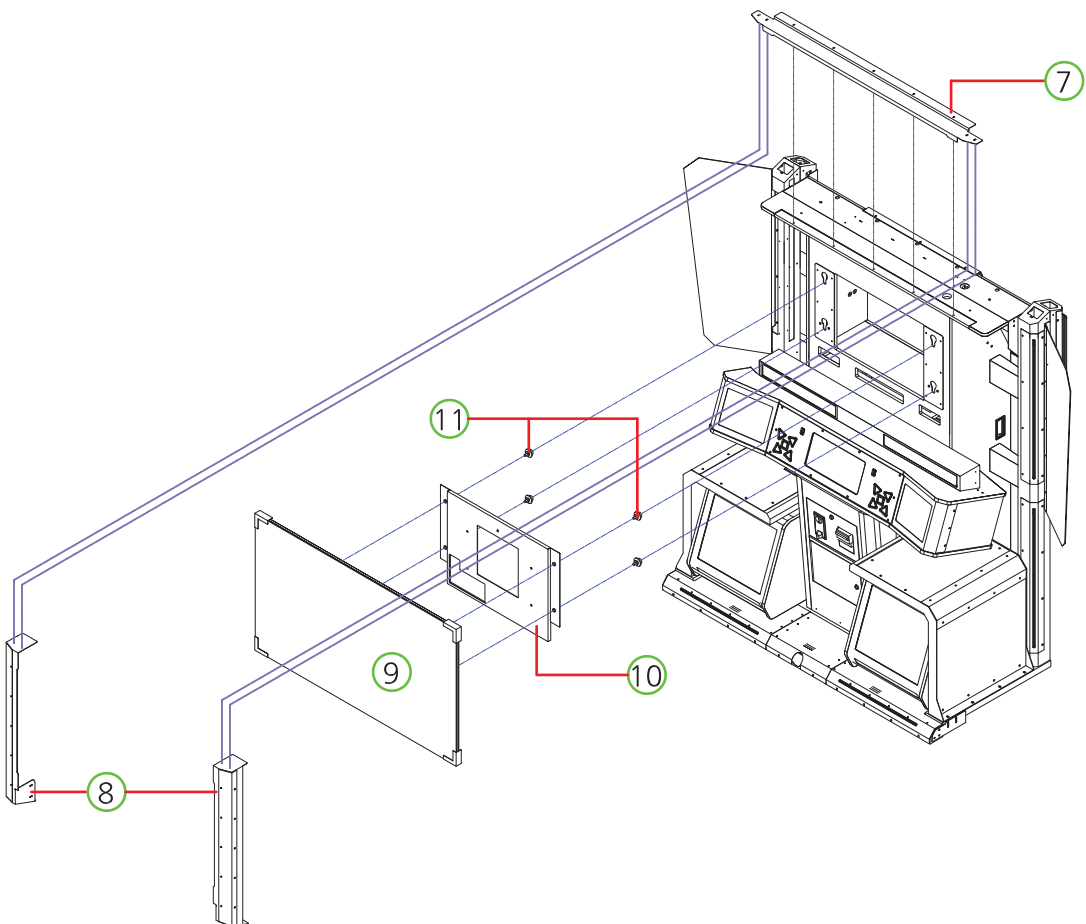


- (3) LIGHT COLUMN FOLDING LARGE BKT
- (4) Remove the LIGHT COLUMN FOLDING BKT.
- (5) Remove the LIGHT COLUMN LARGE LED-L ASS'Y [L, R].
[M4 bolt, each 4 places] * Disconnecting connector
- (6) Remove the M6 hand bolts [2 places], and attach the billboard
The back is lost.

4

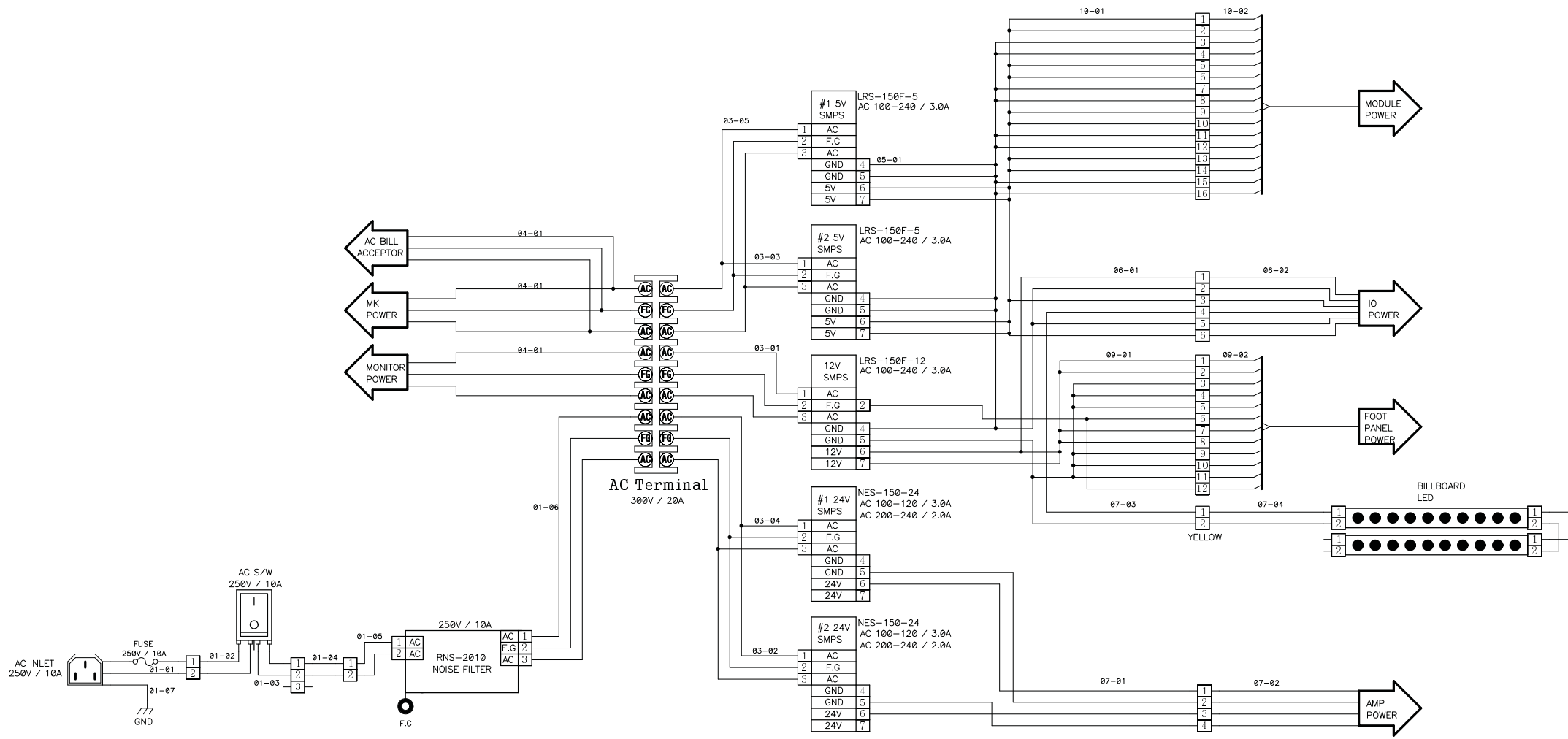


5



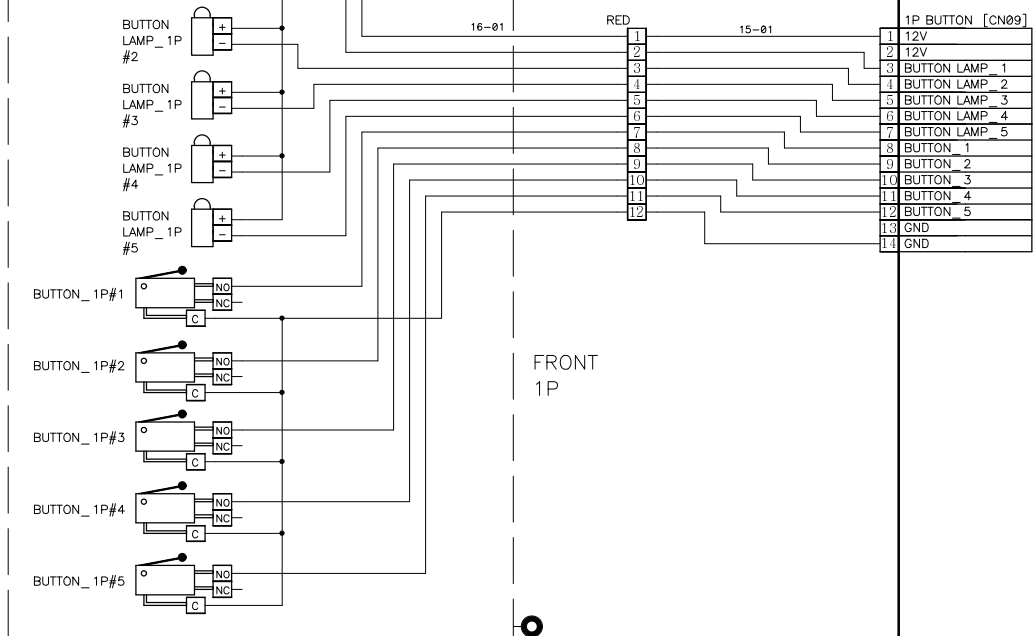
- Then, ⑦ MONITOR TOP COVER BKT [M4 bolts, 4 places]
- ⑧ Remove MONITOR SIDE DECO ASS'Y [L, R]. [M4 bolts, 6 places]
- ⑨ Take out the MONITOR ASS'Y by pulling it forward and remove it.
Replace MONITOR. * ⑩ MONITOR FIX BKT ⑩ WALL MOUNT BLOCK Reuse

* After replacing the MONITOR, reassemble in reverse order.

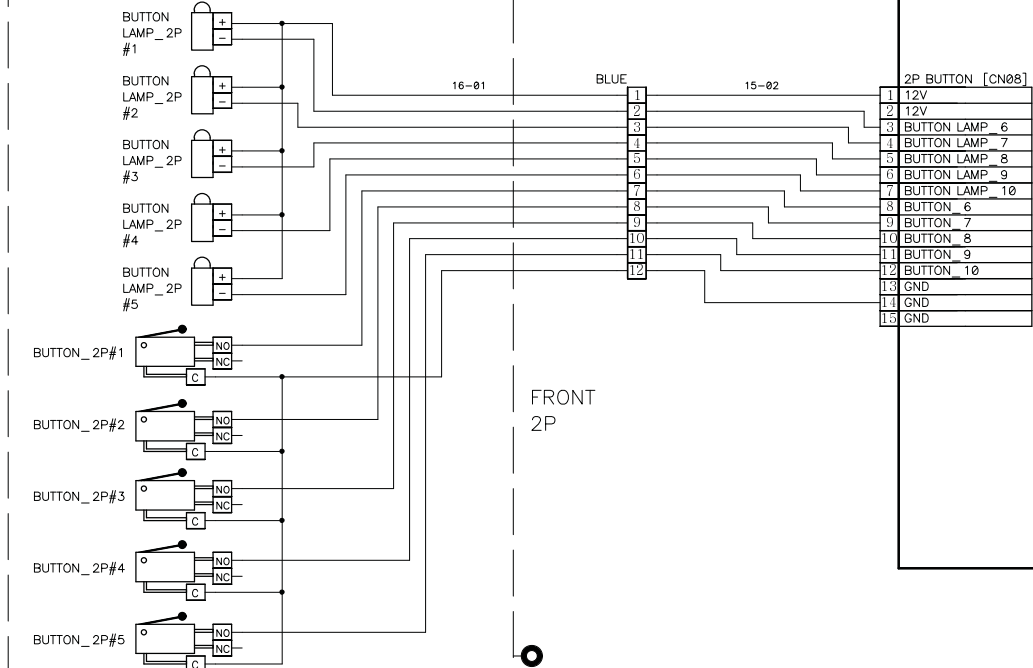


DRAWN BY	DATE	2017.06.02
K.H.LIM	ITEM	PUMP IT UP-LX (INT)
ANDAMIRO	PAGE	1/6

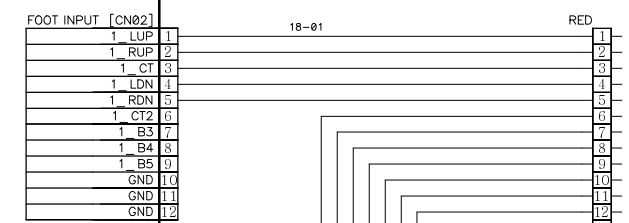
USB 1/0 1/2



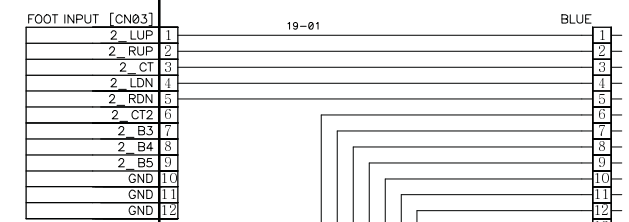
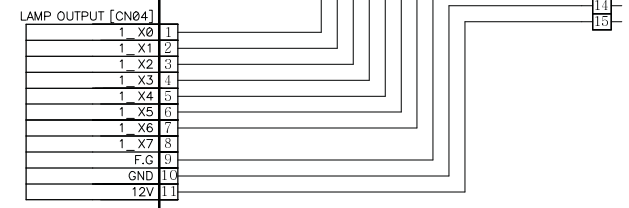
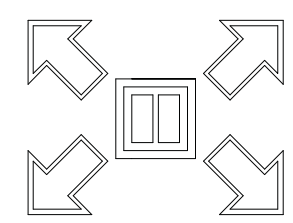
FRONT
1P



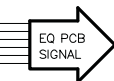
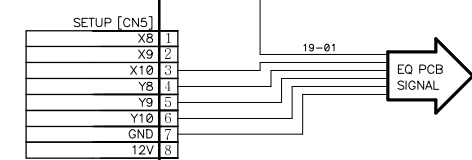
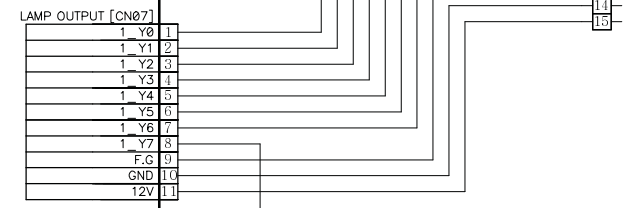
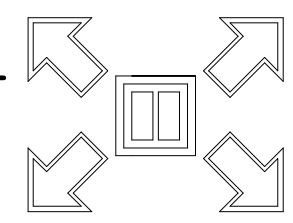
FRONT
2P

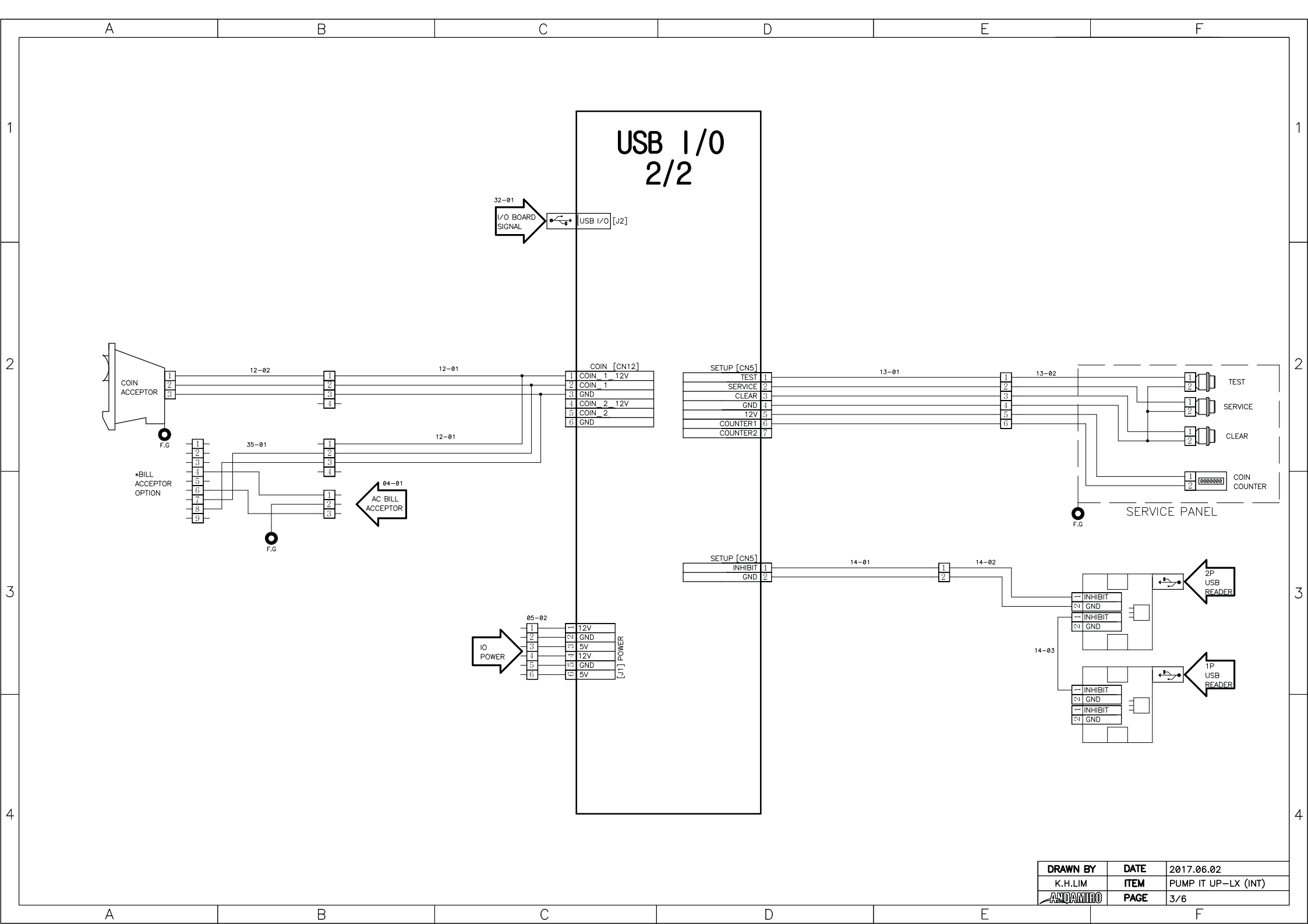


FOOT
1P



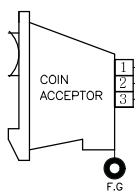
FOOT
2P



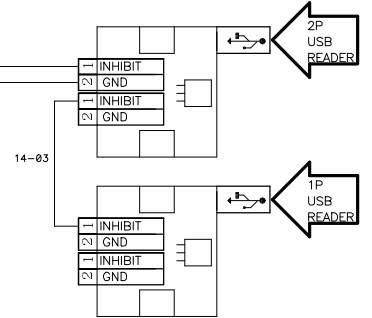
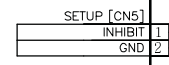
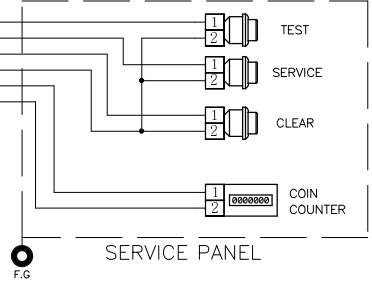
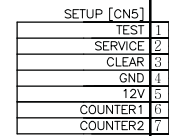
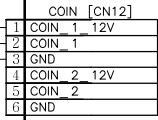
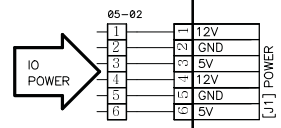
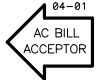


USB I/O 2/2

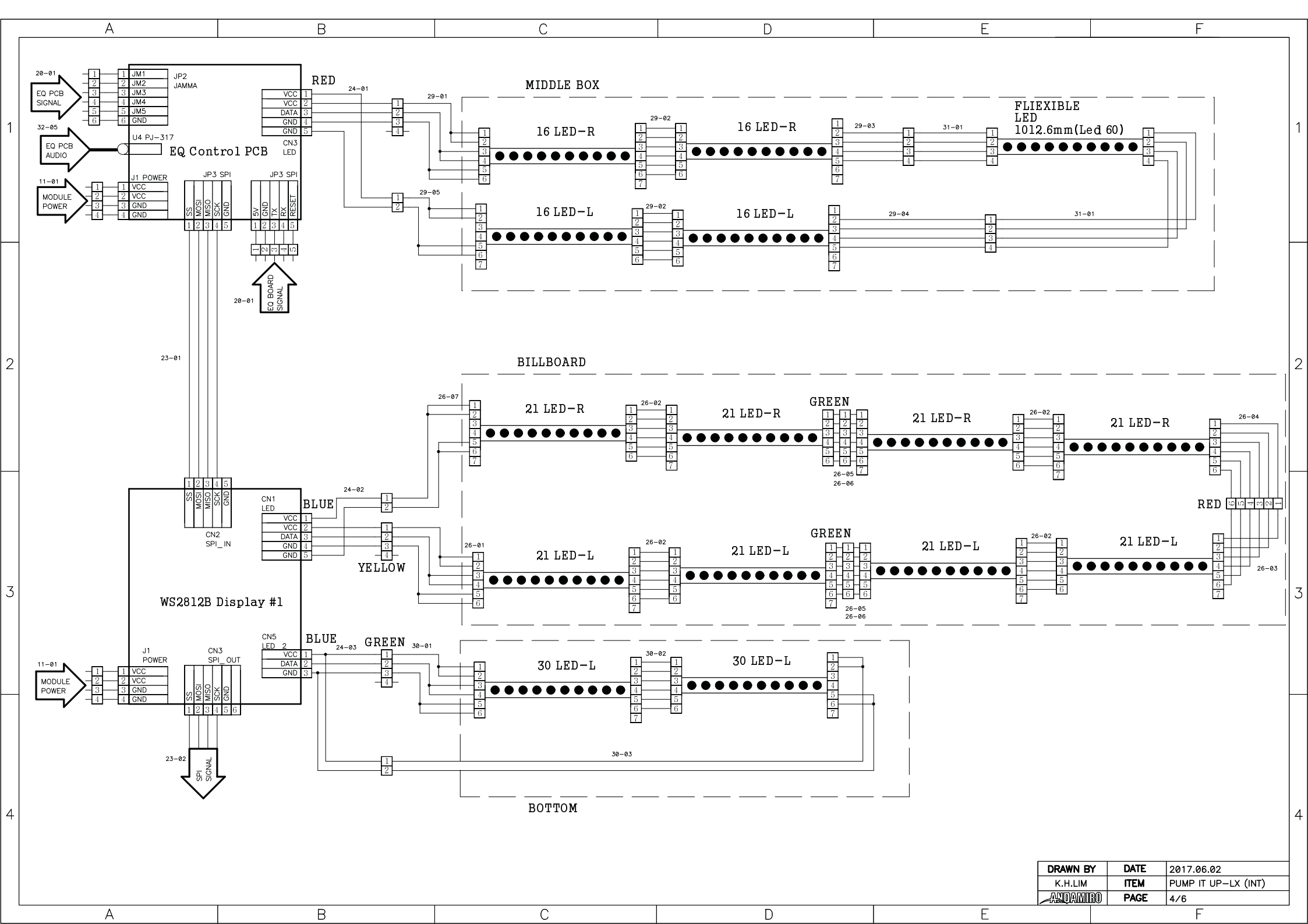
32-01
I/O BOARD SIGNAL → [J2]



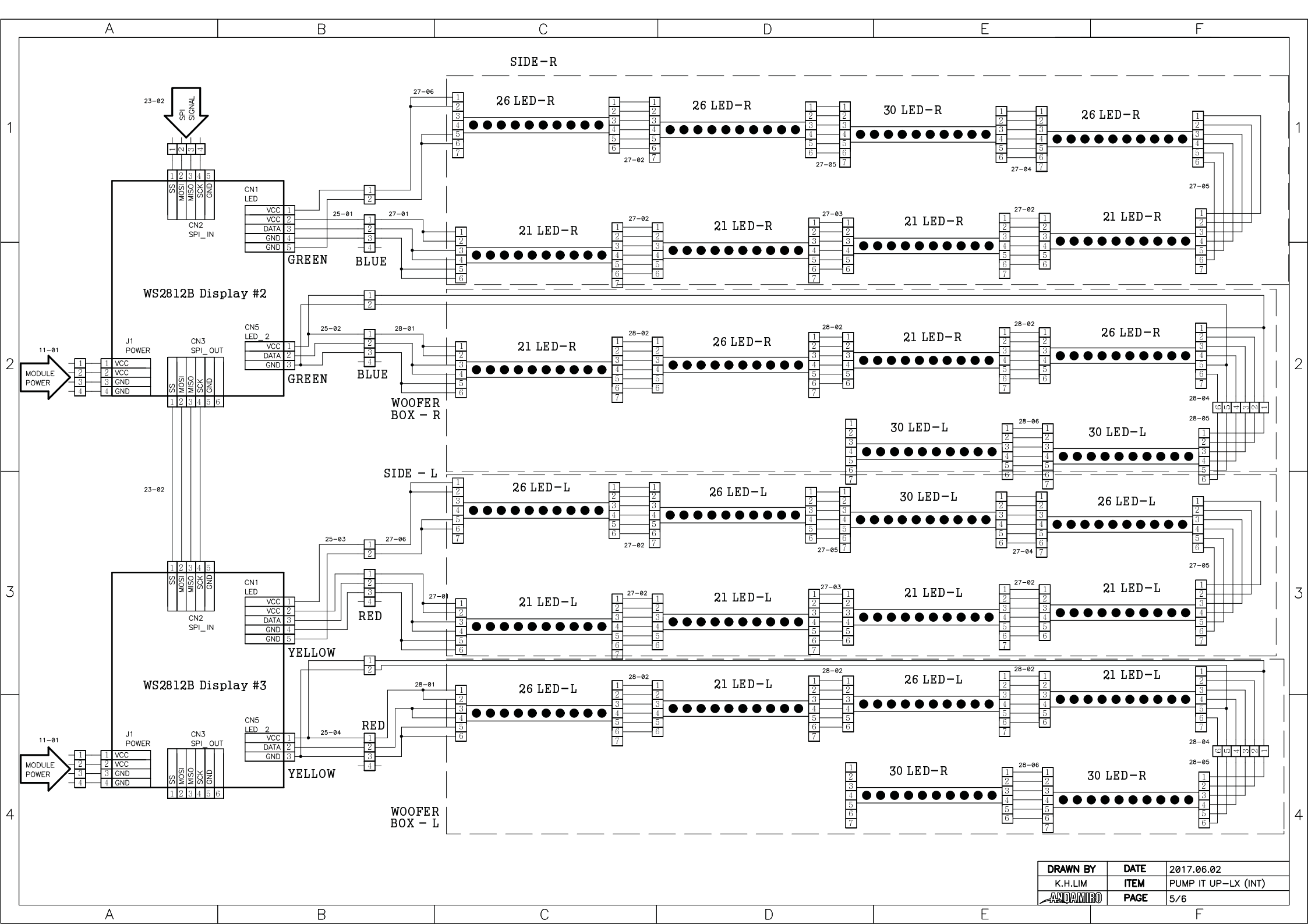
*BILL ACCEPTOR OPTION



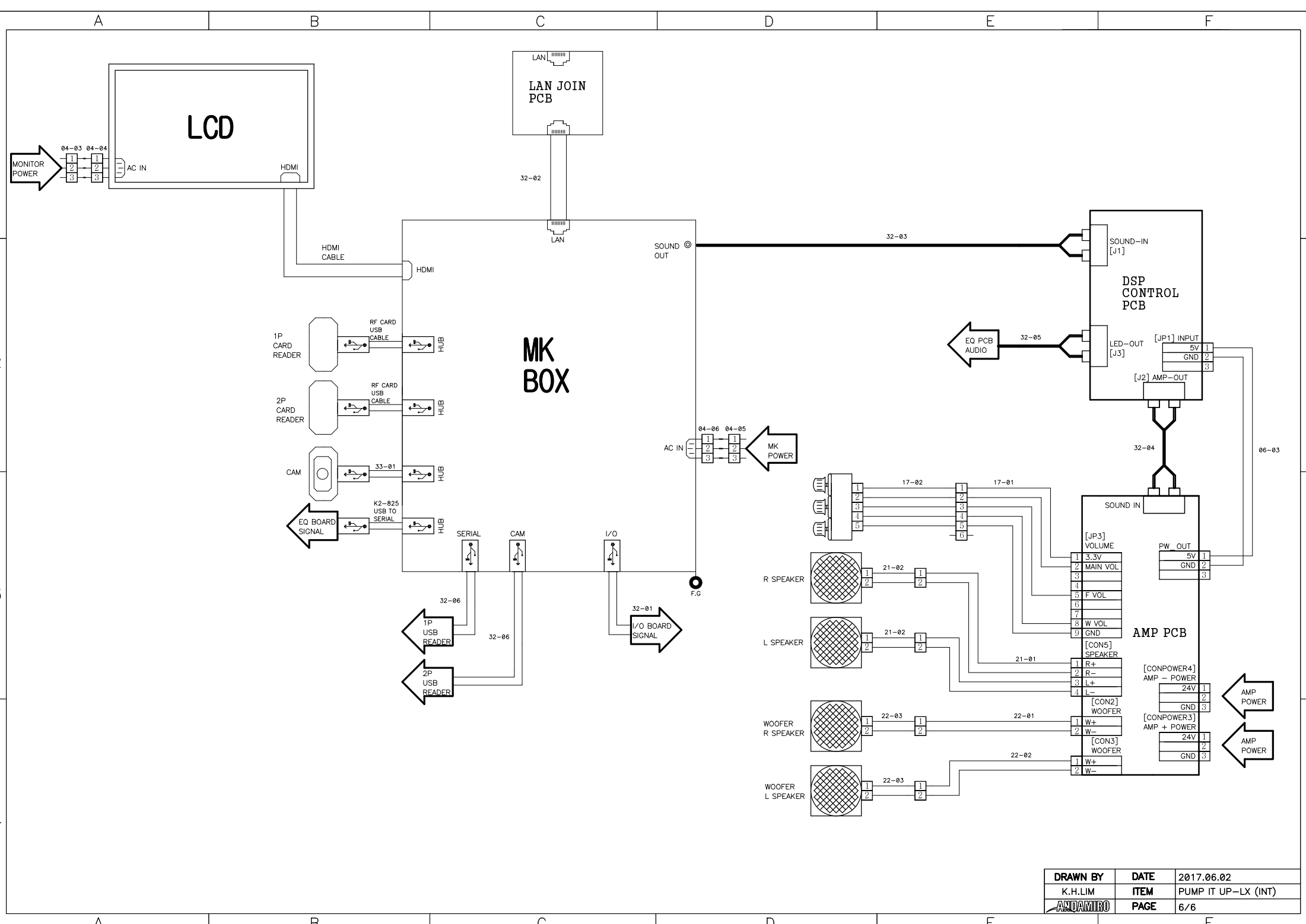
DRAWN BY K.H.LIM	DATE 2017.06.02	ITEM PUMP IT UP-LX (INT)
PAGE 3/6		



DRAWN BY	DATE	2017.06.02
K.H.LIM	ITEM	PUMP IT UP-LX (INT)
ANDAMIRO	PAGE	4/6



DRAWN BY	DATE	2017.06.02
K.H.LIM	ITEM	PUMP IT UP-LX (INT)
ANDAMIRO	PAGE	5/6



DRAWN BY	DATE	2017.06.02
K.H.LIM	ITEM	PUMP IT UP-LX (INT)
ANDAMIRO	PAGE	6/6



ANDAMIRO WARRANTY POLICY



Andamiro warrants to the original purchaser that all of its products will be free from defects in material and workmanship.

Andamiro warrants the parts from date of shipment as follows.

- One Year Limited Warranty : Electronic Boards & Monitor

For any key components within the warranty period, Andamiro will repair or replace defective components free of charge.

When placing a warranty request, the customer is requested to furnish the following information:

1. Name of the game.
2. Serial Number of the game.
3. A Detailed Description of the defect/s experienced.

This warranty does not apply to the defects caused due to misuse or abuse of the product.

Any alterations made to game or game parts will void this warranty.

For warranty details on our product range please visit our website, www.andamiro.com.

ANDAMIRO CO., LTD.
www.andamiro.com



Please complete the following request form to place a warranty request and send it to ANDAMIRO Korea either by fax (Fax No: +82-31-908-7548) or by e-mail. The e-mail address of the person in charge of each region is shown in our web-site, www.andamiro.com

For the on-line request, please visit our web-site, www.andamiro.com and click "Customer Service" and then click "Contact Us" in which you shall find the e-mail address of the person in charge of each region.

1. Company Name : _____

2. Mailing Address : _____

3. E-Mail Address : _____

4. Phone No : _____

5. Name of the person in charge : _____

6. Description of the product defects

6-1) Name of the Game : _____

6-2) Serial No : _____

6-3) Date of Purchase : _____

6-4) Detailed description of the product defects.

Remarks: If possible, please provide us with related photos and videos which will be greatly appreciated to verify the cause of the problem.



ANDAMIRO CO., LTD.

TEL : 82-31-909-2123~5

[ADDRESS OFFICE] 704-1 Techno Town, 138, Ilsan-ro, Ilsandong-gu, Goyang-si,
Gyeonggi-do, Republic of Korea 10442

[FACTORY] 72 Nochemgil, Ilsan-donggu Goyang-si, Gyonggi-do, 410-834 korea

USA BRANCH

ANDAMIRO USA CORP.

TEL : 1-310-767-5800

[ADDRESS] 17230 S. Main Street Gardena, California 90248 U.S.A.

Homepage <http://www.andamiro.com/>

ANDAMIRO®