

# Triotech

## **QUBE-AM-001**

### **Assembly Manual**

**Rev. 2.0**

**Original Instructions**



© Triotech Inc., 2023. All Rights Reserved.

Triotech Inc.

[www.trio-tech.com](http://www.trio-tech.com)

Original Instructions

## Table of Content

---

<b>1</b>	<b>Introduction.....</b>	<b>5</b>
1.1	Document Conventions .....	6
1.2	Definitions and Acronyms.....	6
1.3	Disclaimers .....	7
<b>2</b>	<b>Health and Safety.....</b>	<b>8</b>
2.1	Important Safety Instructions .....	8
2.2	Installation, Operation and Maintenance.....	8
2.3	Grounding Instructions .....	8
<b>3</b>	<b>Required Tools .....</b>	<b>9</b>
<b>4</b>	<b>Handling – Skid and dolly .....</b>	<b>10</b>
<b>5</b>	<b>Unpacking.....</b>	<b>11</b>
<b>6</b>	<b>Preparation.....</b>	<b>12</b>
6.1	Brackets and Panels .....	12
<b>7</b>	<b>Floor Assembly .....</b>	<b>13</b>
<b>8</b>	<b>Qube Assembly .....</b>	<b>14</b>
8.1	Assembly .....	14
8.1.1	Cabinets and floor .....	14
8.1.2	Front panels.....	16
8.1.3	Screen preparation.....	20
8.2	Wiring.....	22
8.2.1	Speakers and IR sensors.....	24
8.2.2	Player Stations.....	25
8.2.3	Seats .....	26
8.2.4	Component Cabinets.....	27
8.3	Interior Component assembly .....	28
8.3.1	Speakers .....	28
8.3.2	LED IR Supports .....	29
8.3.3	Screen.....	29
8.4	Continuing the installation of the structure .....	30



8.4.1	Side panel .....	30
8.4.2	Roof .....	33
8.4.3	Player Stations.....	35
8.4.4	Gun installation .....	37
8.4.5	Seat Installation.....	38
8.5	Connecting the motion seats .....	41
8.6	Completing the installation of the structure .....	45
8.6.1	TOP LED panels.....	45
8.6.2	Bottom LED panels .....	46
8.6.3	Middle panels.....	49
8.6.4	Middle divider .....	52
8.7	Component installation .....	53
8.7.1	Projector installation .....	53
8.7.2	Computer installation.....	54
8.7.3	Coin Acceptor / Card reader installation.....	54
8.8	Configuration .....	56
8.8.1	Projector configuration .....	57
8.8.2	Calibration .....	60
<b>9</b>	<b>Triotech Service and Support Team Contact.....</b>	<b>62</b>

***List of Tables***

---

Table 1	Symbols Convention .....	6
Table 2	Definitions.....	6
Table 3	Acronyms .....	6

## **1**      *Introduction*

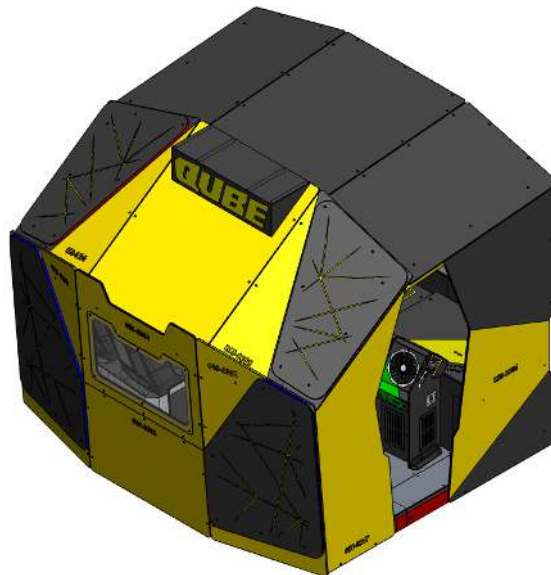
---

This manual will provide you with the necessary instructions on how to assemble your Qube attraction.

### **IMPORTANT: SAVE THESE INSTRUCTIONS.**

Copyright law and industrial property law protect the contents of the Qube, its components, its software, and its design.

The Qube will be delivered to your location and will include all necessary parts and components to easily install it.



In case of difficulty, please do not hesitate to contact Triotech's Service and Support Team.





Triotech Amusement Inc.  
780 rue Marion  
Joliette, Québec  
Canada  
J6E 8S2

Phone: +1 (450) 760-9082 (Press 1 for Service and Support)  
Toll Free (US/CAN): 1-888 465-4634  
Fax: +1 (450) 760-9348  
service@trio-tech.com  
24-hour technical support



### 1.1 Document Conventions

This document utilizes symbols to draw the reader’s attention to critical sections:

Symbol	Meaning
	NOTE: A NOTE provides emphasis or supplementary explanation.
	CAUTION: Equipment damage can result if a CAUTION is not followed.
	WARNING: Personal injury or death can result if a WARNING is not followed.
	ELECTRICAL HAZARD: The Electrical Hazard WARNING specifies the type of Hazard.

**Table 1 Symbols Convention**

### 1.2 Definitions and Acronyms

Term	Definition
Clerk	Ride operator who controls the load/unload of the ride.
Guest	A Guest is a person who is visiting the facilities of the Operator. A Guest is a potential Rider of the Qube.
Media system	Covers the visual and audio systems, the special effects, as well as the computer complex to control them.
Operator	Any person or company that operates a system or product to provide services.
Queue Area	Represents the zone where guests are waiting before entering the Qube
Rider	Person enjoying the Ride. A Rider is a Guest of the Operator.

**Table 2 Definitions**

Acronym	Definition
HMI	Human Machine Interface
IR	Infrared
SFX	Special Effects

**Table 3 Acronyms**

## 1.3 *Disclaimers*



Any modifications made to the Qube system that are not authorized in writing by the manufacturer will be considered to be the exclusive responsibility of the customer, who will consequently become the new “manufacturer” and will have to operate in compliance with the rules and regulations applicable.



Triotech Amusement Inc. bears no responsibility for accidents, injury or damage resulting from unauthorized changes or improper use of the product, including improper application of the safety rules.



The components used in this Qube has been approved following quality control tests at various stages of production.



## 2 *Health and Safety*

---

### 2.1 *Important Safety Instructions*

The following safety instructions apply to all theater operators and service personnel. Specific warnings and cautions will be found throughout this manual where they apply. Read the safety section before operating the Qube. Use the following safety guidelines to help protect the system from potential damage and to ensure your personal safety.

### 2.2 *Installation, Operation and Maintenance*

This Assembly Manual and other manuals delivered with the Qube must be available to the operating and service personnel. To help avoid damage to the Qube, use a power source with the following characteristics.

- 200-240 VAC 50hz/60hz, 16A
- Americas: L6-20R receptacle.
- Europe: TBD

To help prevent electric shocks, plug the system into a properly grounded power source. The cable is equipped with a 3-prong plug to help ensure proper grounding. Do not use adapter plugs or remove the grounding prong from a cable. If you must use an extension cable, use a 3-wire cable with properly grounded plugs.

- This product is not suitable for installation where water jets could be used.
- As per the product Layout, there must be One (1) meter of free space on both sides and in front of the installer product for safe operation. Also note that the back of the unit must have a **clearance of minimum 20 cm/8 inches** from a wall or obstruction. The fans' exhaust must not be obstructed.
- This product does not require any special accessories to perform regular maintenance. Common tools such as screw drivers, pliers and wrench can be used.

### 2.3 *Grounding Instructions*

This product must be grounded. If it should malfunction or break down, grounding provides a path of least resistance for electric current to reduce the risk of electric shock. This product is equipped with a cord having an equipment-grounding conductor and a grounding plug. The plug must be plugged into an appropriate outlet that is properly installed and grounded in accordance with all local codes and ordinances.



### 3 *Required Tools*

---

- Allen Key
  - 4mm
  - 5mm
- Ratchet / Hex key
  - 10mm
  - 13mm
  - 17mm
- Screwdriver Philips +
  - Ph-3

For structural installation, you can use a power drill for efficiency.



We suggest to limiting the clutch position of the power drill to approximately 9 to make sure to not break the panel. **DO NOT USE IMPACT** mode.



## 4 Handling – Skid and dolly

#	Measurement and base type	Tools for handling
01	137 cm L x 64 cm W x 198 cm H • 289 kg (54”L x 25”W x 78”H • 638 LBS) Solid-Top Dolly on wheels	- No jigger, already on wheels. - Standard lift on specified side only.
02	147 cm L x 91 cm W x 127 cm H • 178 kg (58”L x 36”W x 50”H • 392 LBS) Skid	- Standard jigger. - Standard lift.
03	239 cm L x 71 cm W x 178 cm H • 318 kg (94”L x 28”W x 70”H • 700 LBS) Solid-Top Dolly on wheels	- No jigger, already on wheels. - No lift, unpack in truck if no loading dock or ramp.
04	122 cm L x 79 cm W x 188 cm H • 200 kg (48”L x 31”W x 74”H • 440 LBS) Skid	- Standard jigger. - Standard lift.
05	122 cm L x 79 cm W x 180 cm H • 201 kg (48”L x 31”W x 71”H • 442 LBS) Skid	- Standard jigger. - Standard lift.
06	109 cm L x 89 cm W x 86 cm H • 143 kg (43”L x 35”W x 34”H • 314 LBS) Skid	- Standard jigger. - Standard lift.

Your Qube™ arrives on 4 skids and 2 custom solid-top dollies. A loading dock is helpful but not required.

If you have a loading dock or truck with a ramp, move the skids with a jigger and the dollies with their wheels. If you have a truck with a tailgate, use a standard lift for the skids. Dolly 01 can only be moved with a standard lift on the specified side. Dolly 03 should be unpacked in the truck and parts transported carefully to the storage area by 2 persons.

## **5**      *Unpacking*

---

To be available in the next revision of the manual.

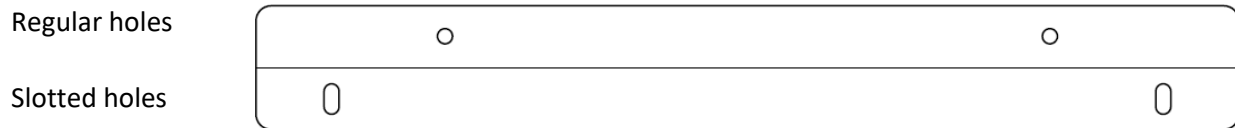


## 6 Preparation

---

### 6.1 Brackets and Panels

The brackets have two (2) sets of holes.



For the pre-assembly, only the regular holes are used. The panels come with pre-assembled screws, which are made to fit the regular holes.

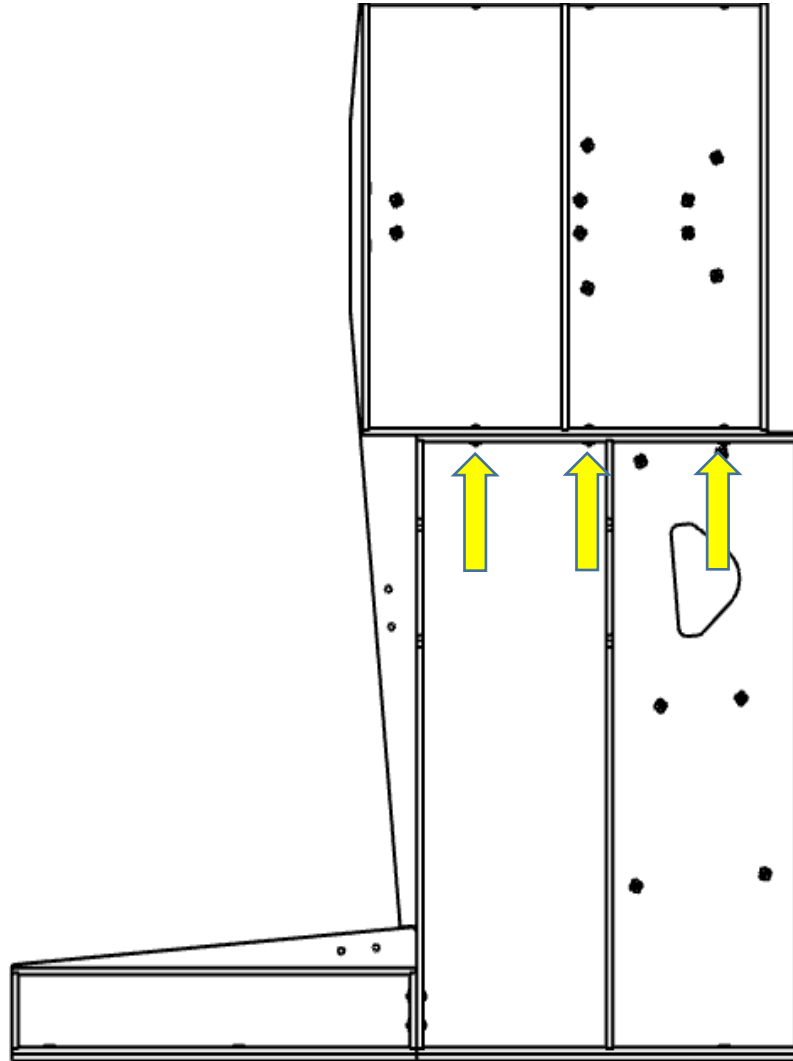
The slotted holes will be used later during the assembly to secure the panels together.

## 7 Floor Assembly

---

When assembling the floor (**A-01805**), it is important for the floor to be leveled.

1. Place the floor vertically, using the inserts as guides, install the middle part to join both floors together using flange screw (100-5497) X6. All parts have their holes pre-drilled.



2. Do the same for the other side of the floor and lay it down.



## 8 *Qube Assembly*

---



When installing the component cabinets, it is extremely important for the cabinets to be leveled on their own, and with each other.



By default, the cabinets support are adjusted to a height of 75 mm, depending on your floor it may be required to adjust the height of the cabinets using a metric 6 Allen key. The factory heights are for guidance only. Being level is the most important.

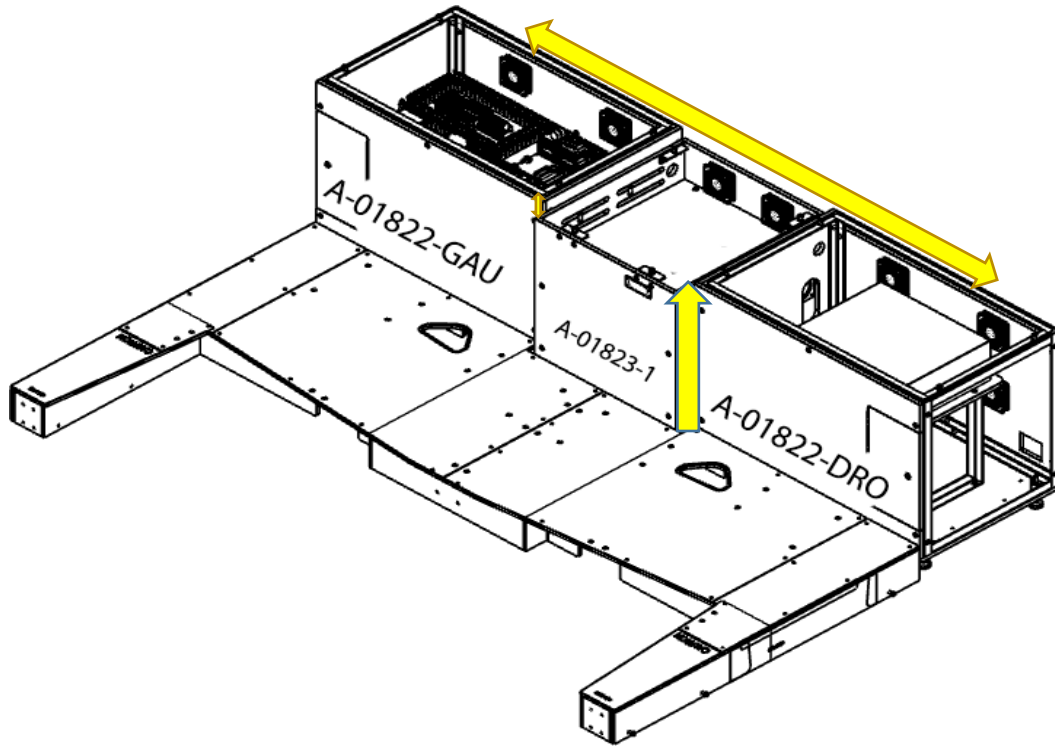


All fledge nuts must be tightened only by hand. They will be tightened with a tool at the end of the installation.

### 8.1 *Assembly*

#### 8.1.1 *Cabinets and floor*

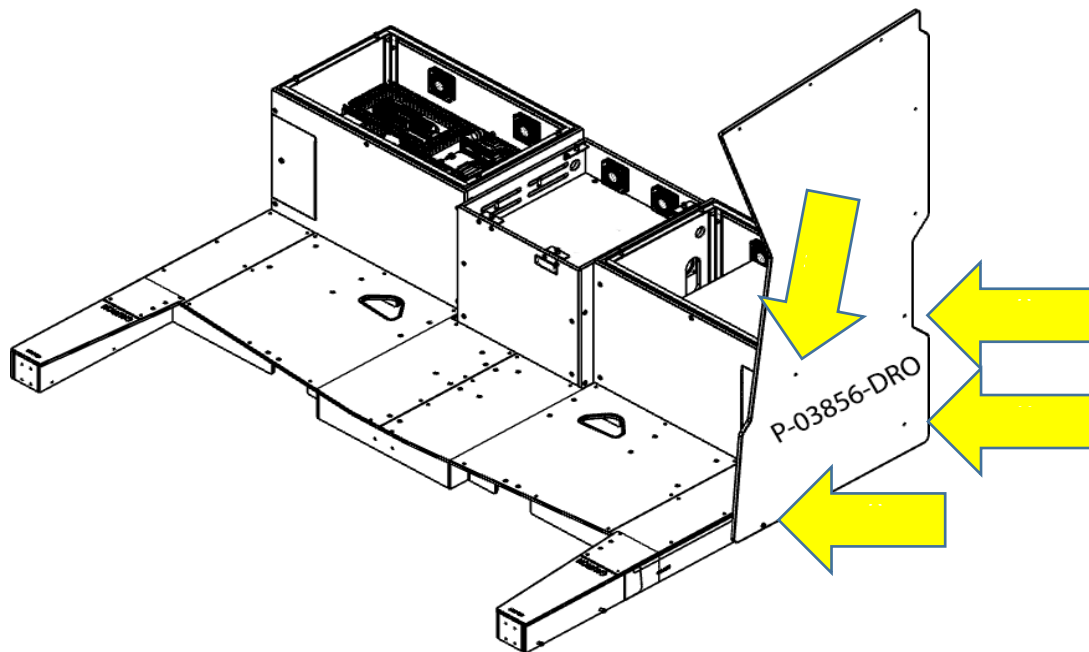
1. Remove the top of each cabinet to allow for better handling.
2. When the floor is installed, install the computer cabinet (**A-01822-DRO**), the component cabinet (**A-01822-GAU**) and the projector cabinet (**A-01823-1**). The cabinets need to be leveled on their own and with each other.
  - a. Distance between top cabinets (**A-01822-DRO / A-01822-GAU**) and (**A-01823-1**) should be approximately 1 to 1.2 inch (25 to 35mm)





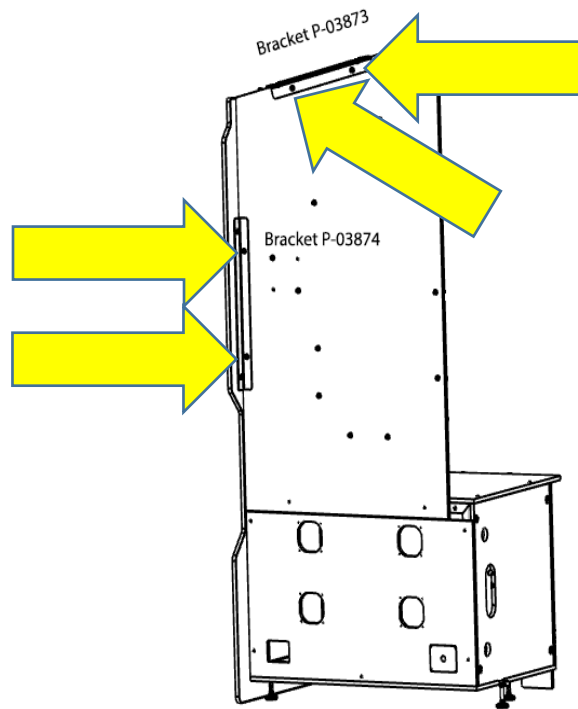
### 8.1.2 Front panels

3. The front side panel (**P-03856-DRO**) must be installed first.
  - a. Use the hardware flange screw (100-5497) X3 and the hex flange bolt (100-5469) X1, at the bottom left in the floor.

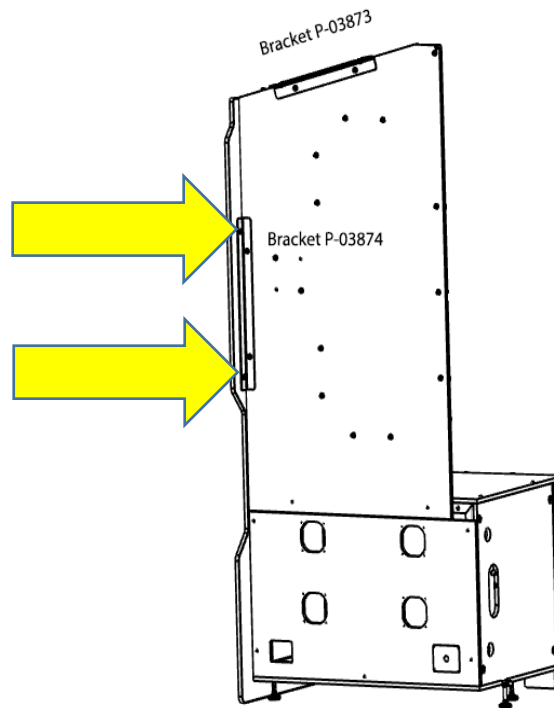


4. Install the bracket (**P-03873**) and (**P-03874**) on the (**P-03854-DRO**) before installing the panel.
  - a. Use flange screw (100-5497) X2 and flange nut (100-1262) X2 per bracket.

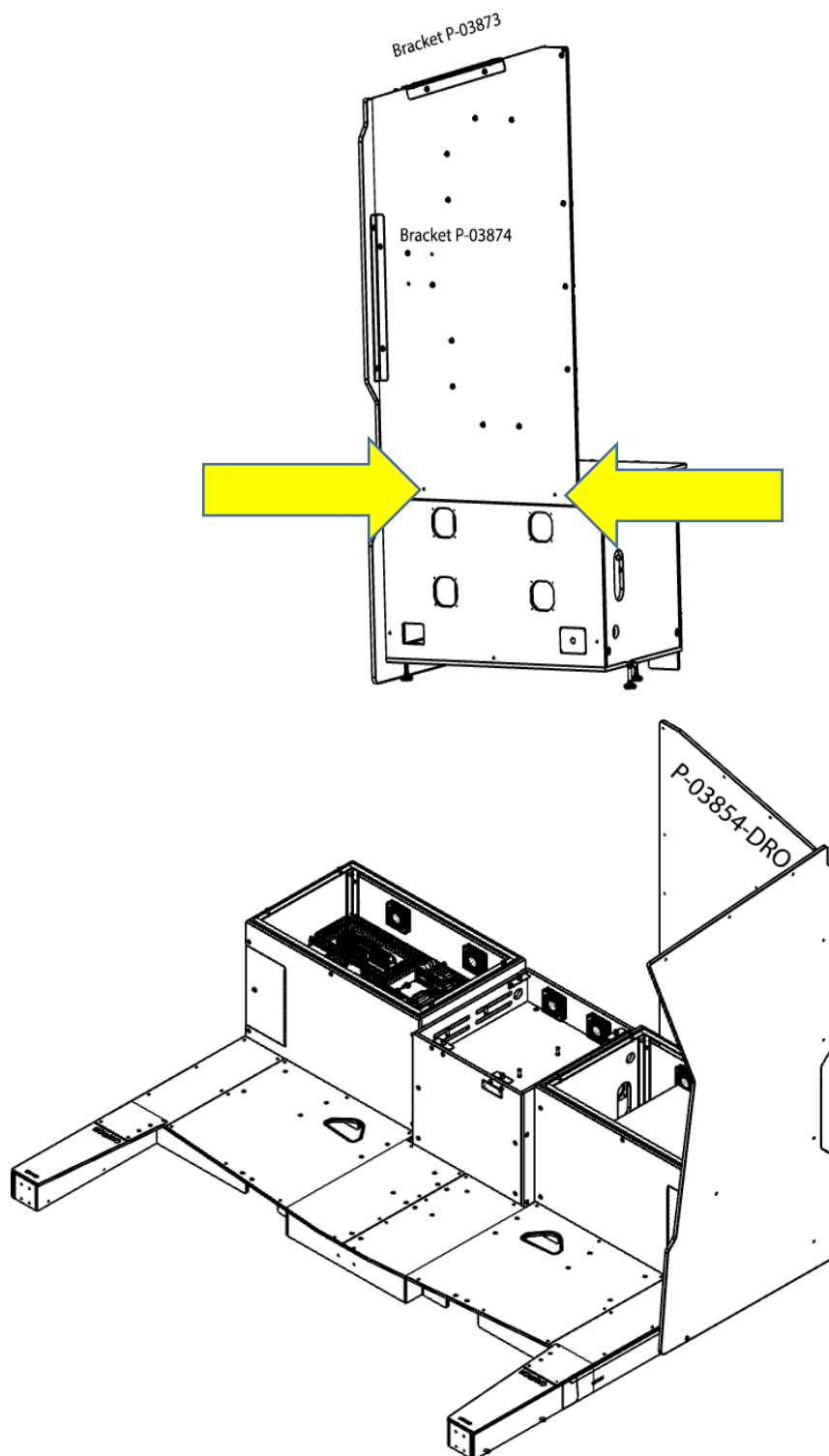




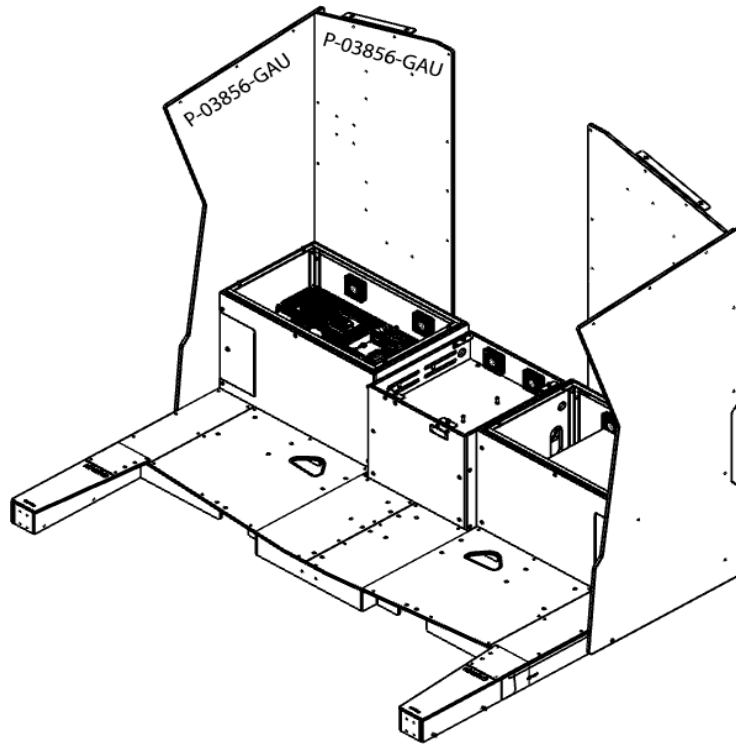
5. Next, the panel (**P-03854-DRO**) must be fixed in place using the brackets (**P-03874**) on the side.
  - a. Use flange screw (100-5497) X2 and flange nut (100-1262) X2.



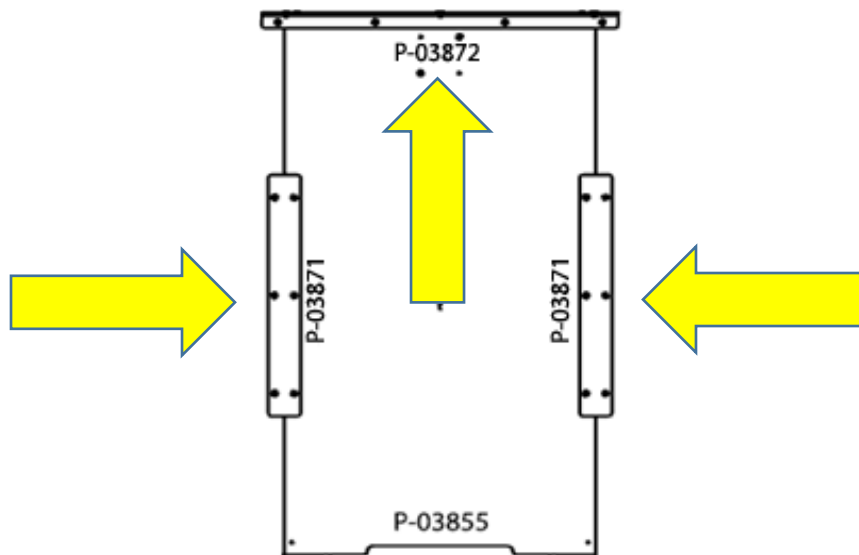
- b. Use flange screw (100-5497) X2 for the bottom.



6. The same can be done on the left side using (P-03856-GAU) and (P-03854-GAU).



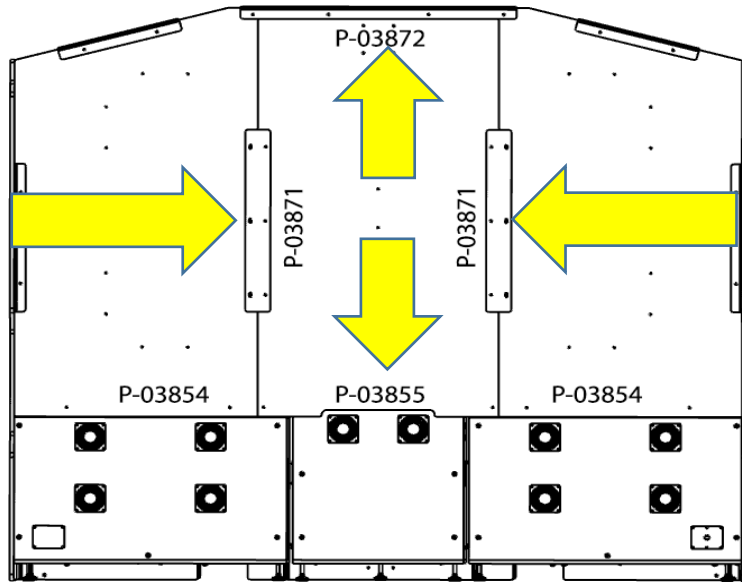
7. Assemble the brackets (**P-03871**) on both side of the center panel (**P-03855**) and the bracket (**P-03872**) on the top of the panel.
  - a. Use flange screw (100-5497) X3 and flange nut (100-1262) X3 per bracket for (**P-03871**).
  - b. Use flange screw (100-5497) X2 and flange nut (100-1262) X2 for (**P-03872**).



8. Fix the center panel in between the left and right panels.
  - a. Use flange screw (100-5497) X3 and flange nut (100-1262) X3 per bracket for **P-03871**,



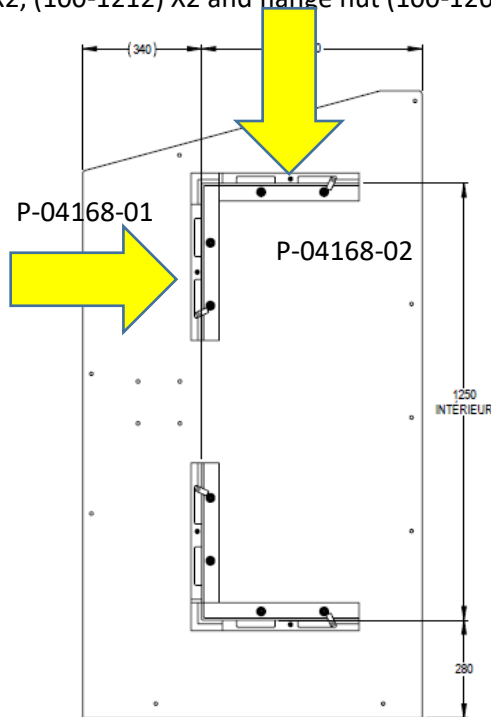
- b. Use flange screw (100-5497) X2 and flange nut (100-1262) X2 for **P-03872**
- c. Use flange screw (100-5497) X2 for the bottom of the panel.



**8.1.3**      *Screen preparation*

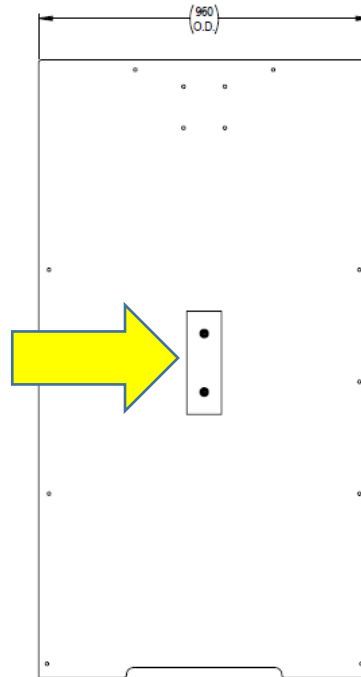
9. Install **P-04168-01** and **P-04168-02** screen angle on each corner. There is 4X corners.

- a. Use (100-5871) X2, (100-1212) X2 and flange nut (100-1262) X2 per bracket.



10. On the panel **P-03855**, Install the spacer middle of screen **P-03944**.

Use (100-5871) X2, (100-1212) X2 and flange nut (100-1262) X2.

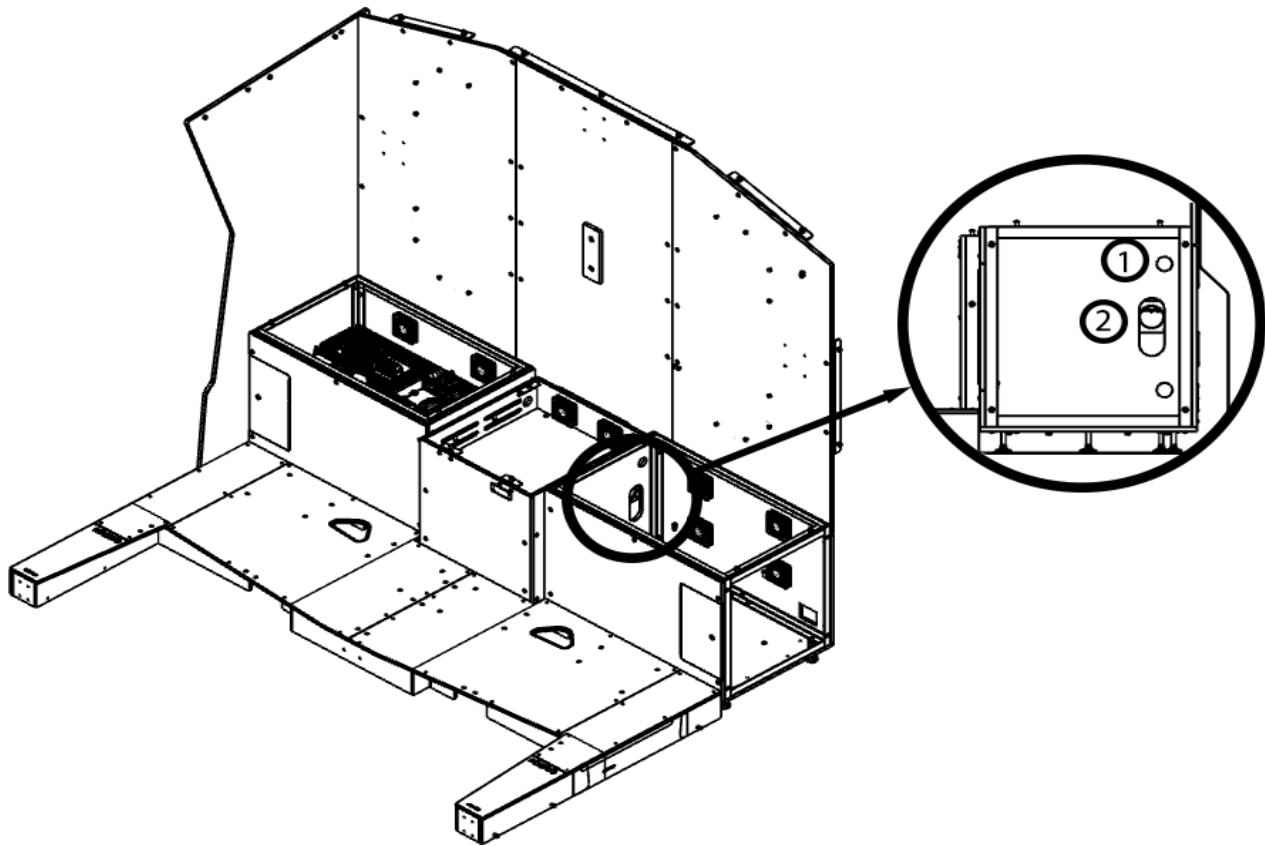




## 8.2 *Wiring*

All cable harnesses are in the left cabinet. Labels are on each harness to identify them.

<b>Connectors on left cabinet electrical plate</b>	
CON01	Ventilation fans (Left Cabinet)
CON02	Screens (LED InfraRed + Front speakers)
CON03	Ventilation fans (Middle Cabinet)
CON04	Ventilation fans (Right Cabinet) + Maintenance Button
CON05	Players 1 and 2 station
CON06	Players 3 and 4 station
CON07	Players Seats 1 and 2 + subwoofer
CON08	Players Seats 3 and 4
CON09	LEDs left side panels + LEDs seats 1 and 2
CON10	LEDs Right side panels + LEDs seats 3 and 4

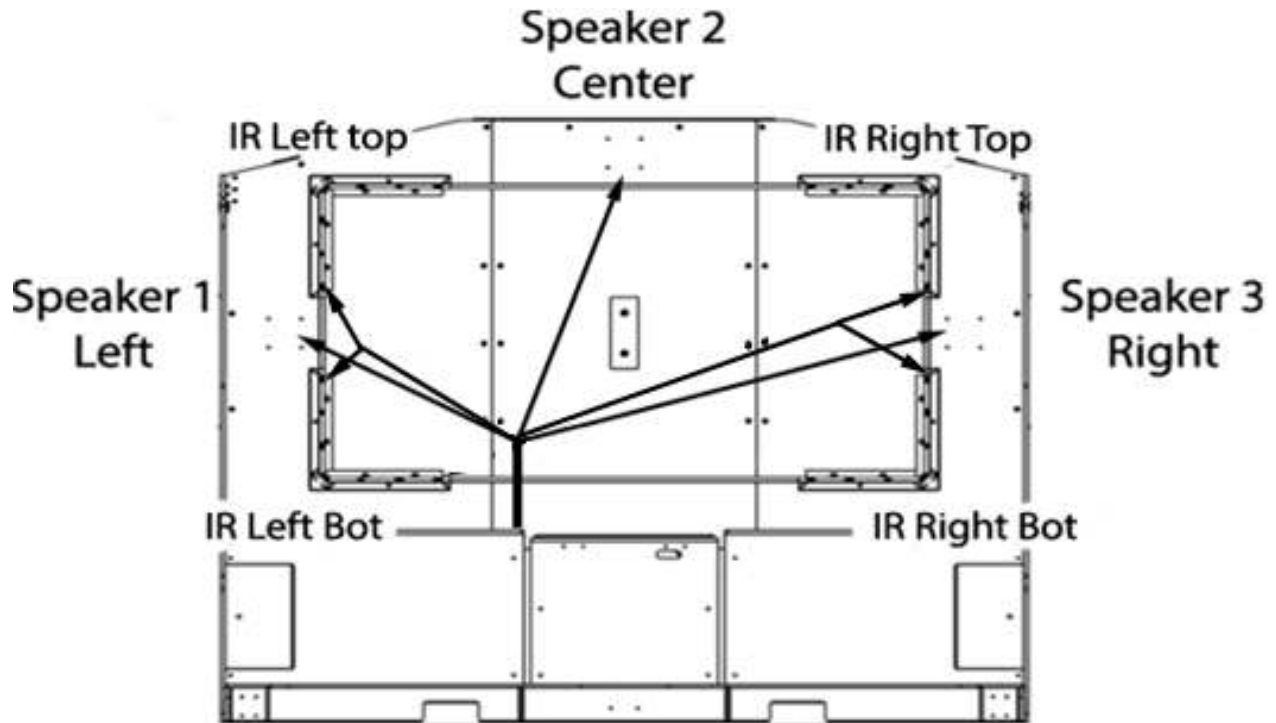


- 1- This opening is used for the harness that goes behind the screen.
- 2- This opening is used for cables and harnesses that needs to pass through the Projector cabinet.



8.2.1 *Speakers and IR sensors*

Start with the harness (A-50263) make sure that it is connected at (CON2\_P) on the component plate, this harness needs to be passed through the projector cabinet, do not pass this harness through the plastic tube, instead use the small hole above the tube.



IR connections	Speaker connections
IR Left Top to Left top	Speaker 01 Left to Speaker left
IR Left Bot to Left Bot	Speaker 02 Center to Speaker center
IR Right Top to Right Top	Speaker 03 Right to Speaker Right
IR Right Bot to Right Bot	

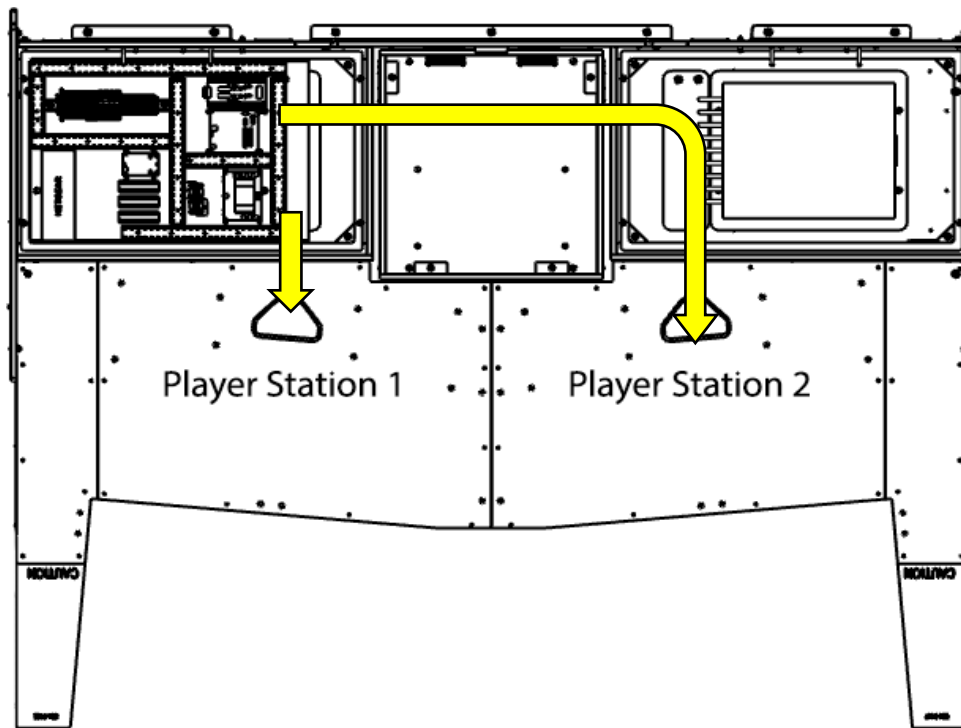


## 8.2.2 Player Stations

This procedure will require the harness (A-50261) for players 1 & 2 and harness (A-50262) for players 3 & 4.

A-50261 starts from the component plate and passes under the floor to the triangle shaped hole under the players 1 & 2 station.

A-50262 starts from the component plate and passes through the plastic tube of the projector cabinet, then under the floor and into the triangle shaped hole under the players 3 & 4 station.



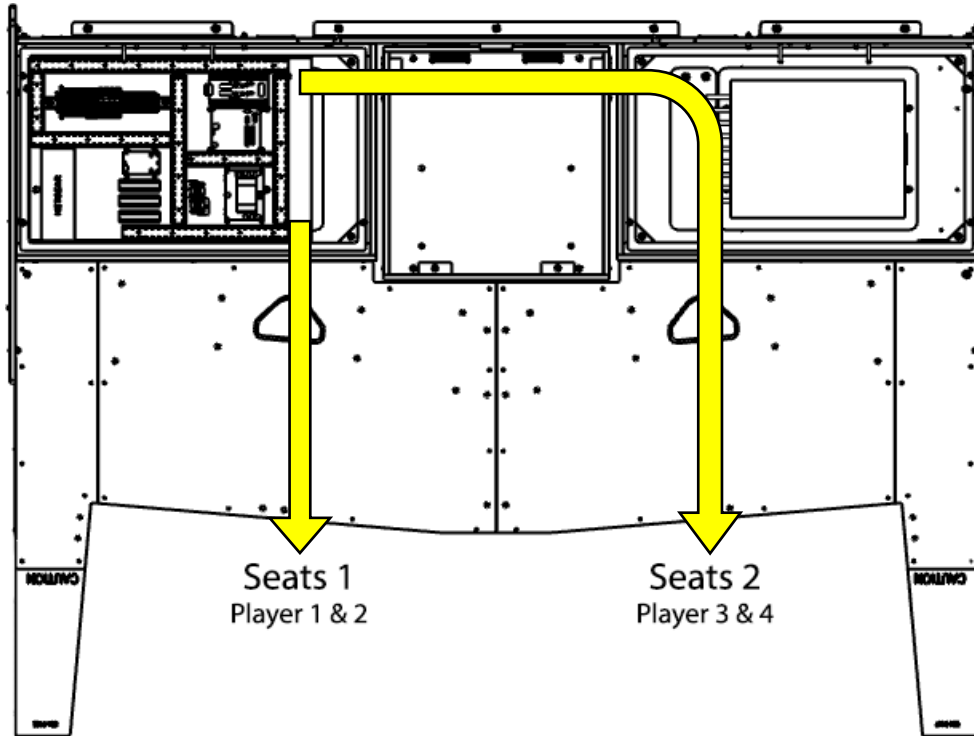
For the time being, the harness will be connected to the component plate only. The harness passed as shown above and the player stations will be connected once installed.

A-50261	A-50262
CON5 to CON5_P	CON06 to CON06_P
Net Switch ETH02 to NES01_ETH02	Net Switch ETH04 to NES01_ETH04
Net Switch ETH03 to NES01_ETH03	Net Switch ETH05 to NES01_ETH05



8.2.3 Seats

This procedure will require the harness (A-50259) for seats 1 & 2 and harness (A-50260) for seats 3 & 4. Use the openings under the floor to pass these harnesses.

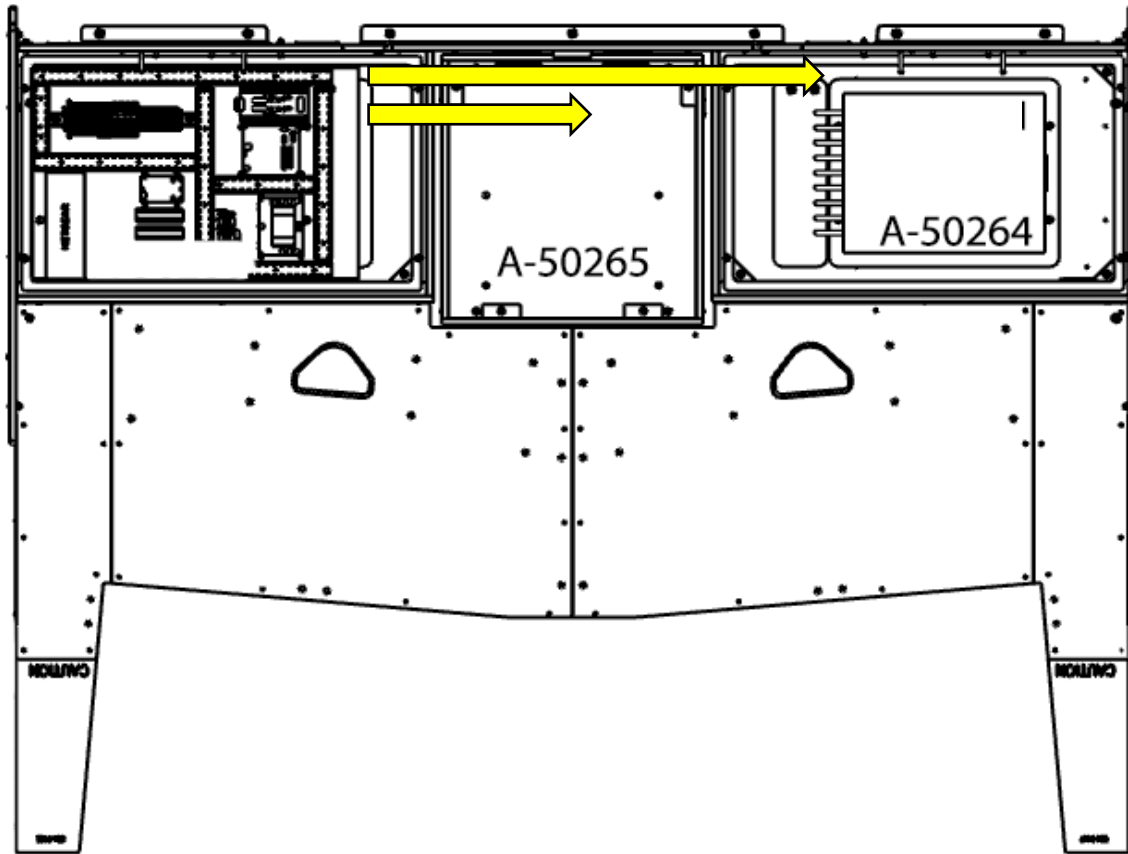


A-50259 starts from the component plate and passes under the floor, pull the harness through the rectangle shaped opening under the floor where the players 1 and 2 seats are going to be.

A-50260 starts from the component plate and passes through the plastic tube of the projector cabinet, then under the floor and into the rectangle shaped opening under the floor where the players 3 and 4 seats are going to be.

A-50259	A-50260
COMPUTER SEAT 1&2 to SEAT 1&2	COMPUTER SEAT 3&4 to SEAT 3&4
CON9 to CON9	CON10 to CON10
CON7 to CON7	CON8 to CON8

## 8.2.4 Component Cabinets



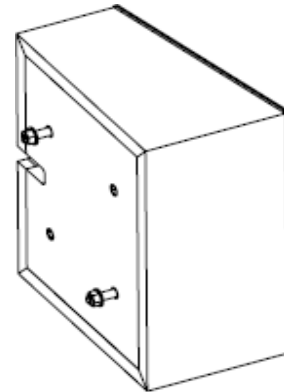
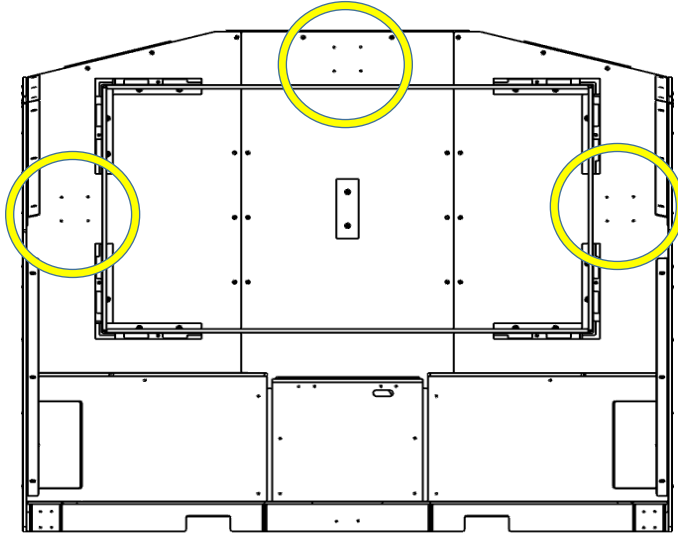
A-50264	A-50265
CON04 to CON17	CON03 – FAN05 / FAN06
NET-SWITCH ETH01 to COMPUTER ETH02	NES01-ETH06 to NETWORK PROJ
IO CARD-USB01 to COMPUTER – USB01	POWER PROJ – POWER PROJ



### 8.3 Interior Component assembly


#### 8.3.1 Speakers

1. There are three (3) speakers (**A-01873**) around the screen.



The speakers come pre-assembled with two (2) screws in the back.

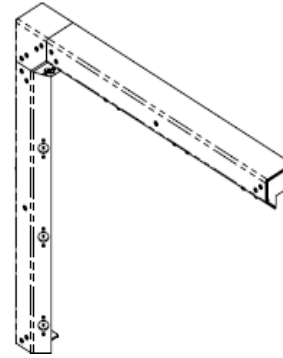
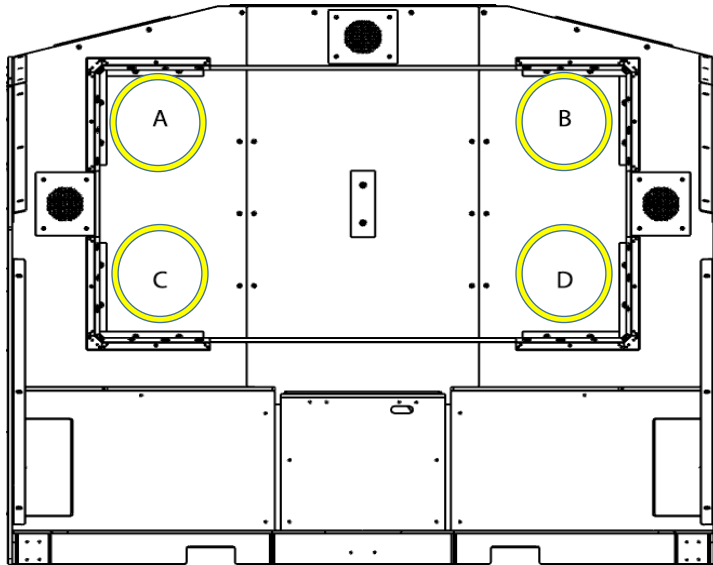
2. While one (1) person holds the speaker in place, another person on the other side of the panel will fix it in place using the flange nut (100-1262) X2.

 Always install the speakers so the connectors are aimed toward the screen.

3. Connect the connectors to the speaker. Repeat for all three (3) speakers.

## 8.3.2 LED IR Supports

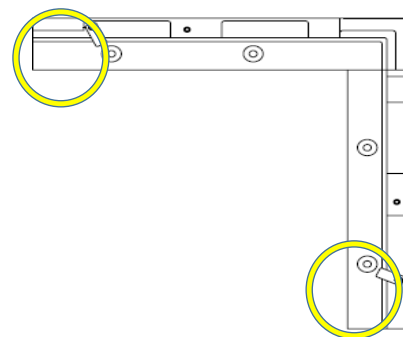
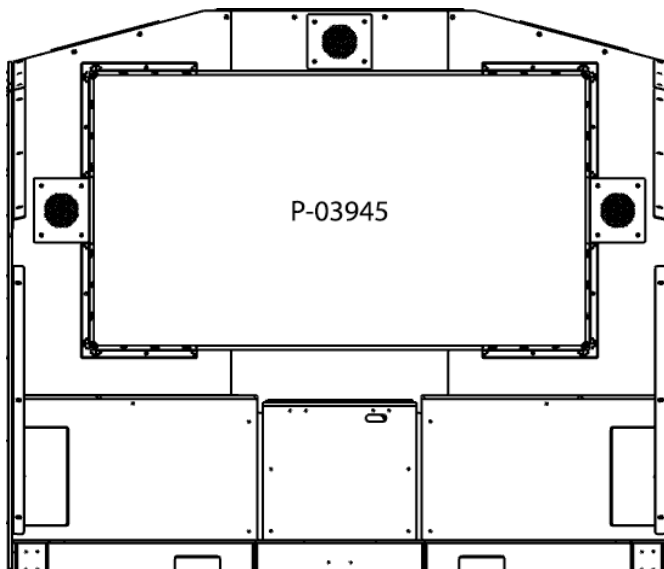
4. There are four (4) LED IR Supports (**A-01932**), labeled from **A** to **D**, to install at each corner of the screen.



Fix the LED IR Supports on top of the wood corners using (100-5804) X2 and (100-1352) X2 per IR supports.

## 8.3.3 Screen

5. Move the screen (**P-03945**) into place and turn the screen holders (**P-04169**) 90° to secure the screen in place.



There are two (2) screen holders per corners.

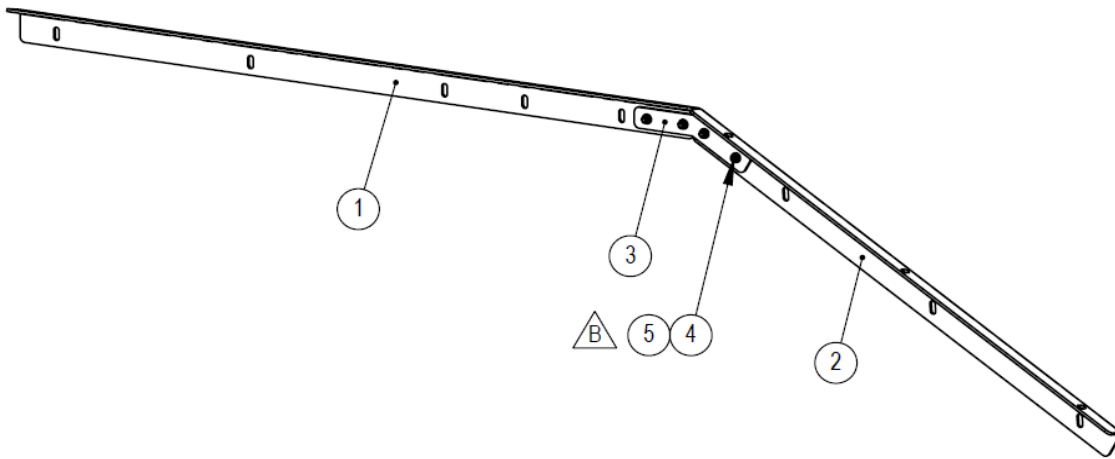


## 8.4 Continuing the installation of the structure

### 8.4.1 Side panel

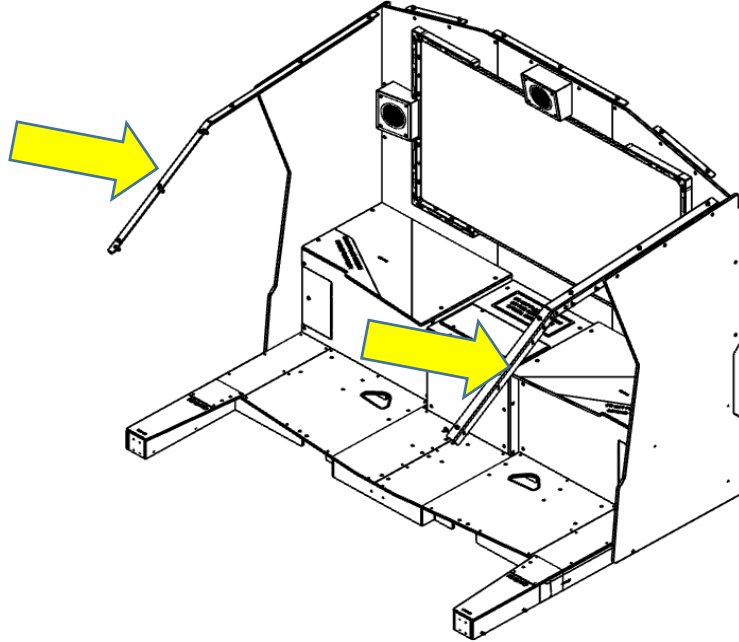
6. The next two (2) brackets need to be pre-assembled.

#	Code	Description
1	P-03883-DRO/GAU	Bracket – Panel support (Right/Left)
2	P-03884-DRO/GAU	Bracket – Panel support (Right/Left)
3	P-03885	Angled Bracket – Panel support (center)
4	100-5820	FLANGED BUTTON HEAD M8x1.25x20mm BLACK
5	100-1262	Flat washer M8 - black

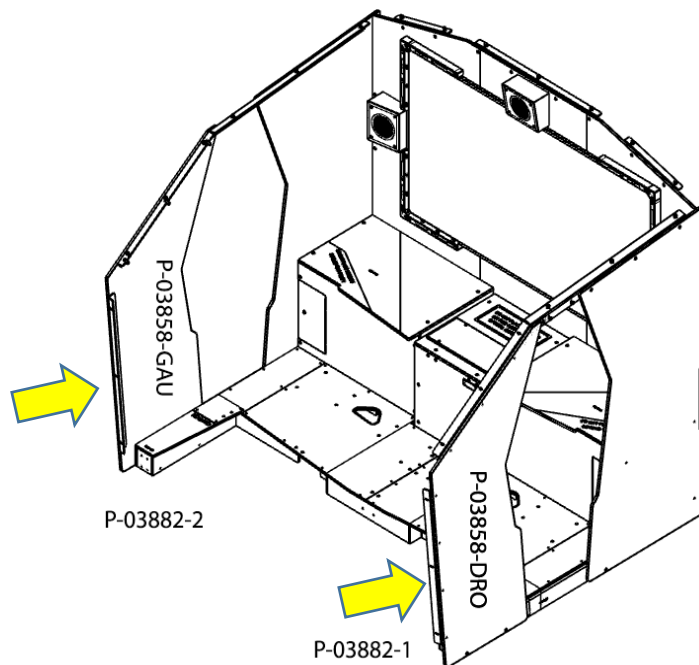


7. Assemble (P-03883-DRO) and (P-03884-DRO) together using the angle bracket (P-03885).
  - a. Use flange bolt (100-5820) X4 and flange nut (100-1262) X4.
8. Do the same thing for (P-03383-GAU) and (P-03384-GAU)

9. Install the brackets that you just pre-assembled. The (P-03883-DRO/P-03384-DRO) on the right side. (P-03883-GAU/P-03884-GAU) on the left side.
  - a. Use flange screw (100-5497) X3 and flange nut (100-1262) X3 on each side.



10. Install the back side panels (P-03858-DRO) and (P-03858-GAU).
  - b. Use flange screw (100-5497) X3, flange nut (100-1262) X3 and hex flange bolt (100-5469) X2 at the bottom of the panel.





11. Install the (P-03857-GAU) and (P-03857-DRO) on the side of the bracket installed previously in step 2.

c. Use flange screw (100-5497) X2 and flange nut (100-1262) X2



12. Once in place, fix the bracket (P-03882) X2.

d. Use flange screw (100-5497) X4 and flange nut (100-1262) X4 per bracket.



## 8.4.2 Roof

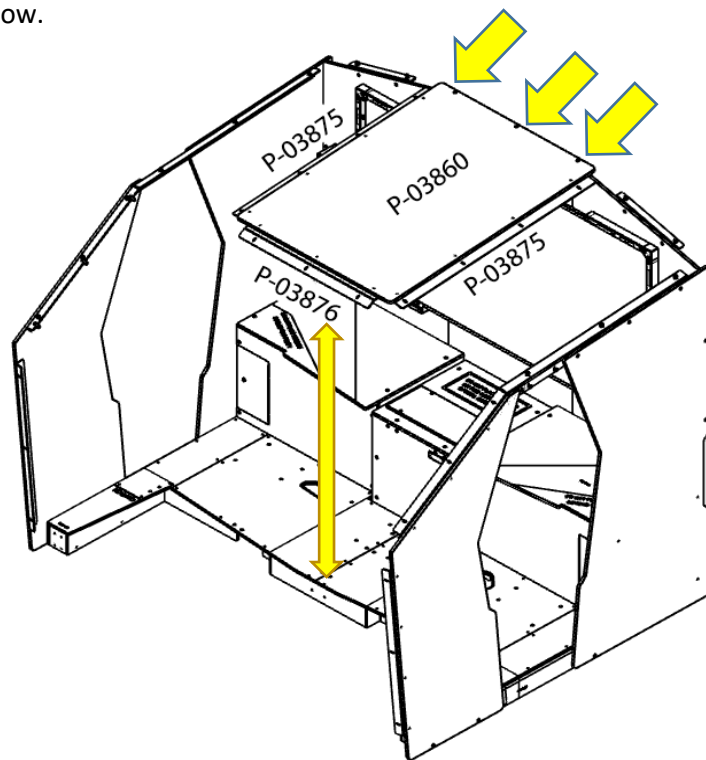
13. On the panel (P-03860), install the bracket (P-03875) on each side and (P-03876) on the front side.

Use flange screw (100-5497) X4 and flange nut (100-1262) X4 per bracket for (P-03875).

Use flange screw (100-5497) X3 and flange nut (100-1262) X3 for (P-03876).

14. Use the supporting pole, set its height to **221 cm / 87"** to support the roof middle panel (P-03860) while fixing it in place. Align it directly under the bracket (P-03876).

- e. Use flange screw (100-5497) X3 and flange nut (100-1262) X3 to fix the panel (P-03860) as shown below.



Please note that the yellow arrow represents the ideal placement for the supporting pole. The pole should stay in place for now.

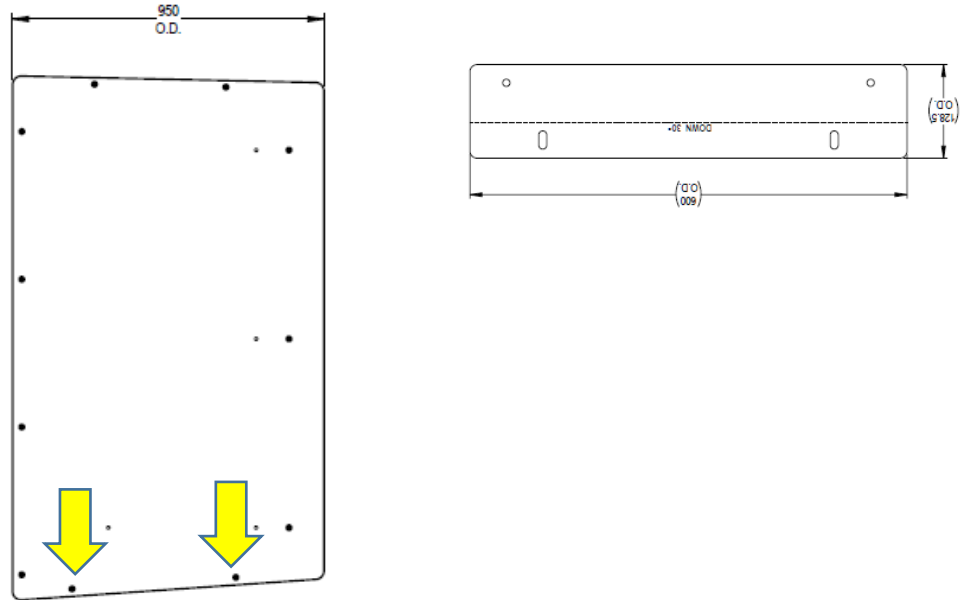


We recommend to not screw the screws too tight; the roof panels will need to be adjusted to ensure that there are no gaps in between the panels.

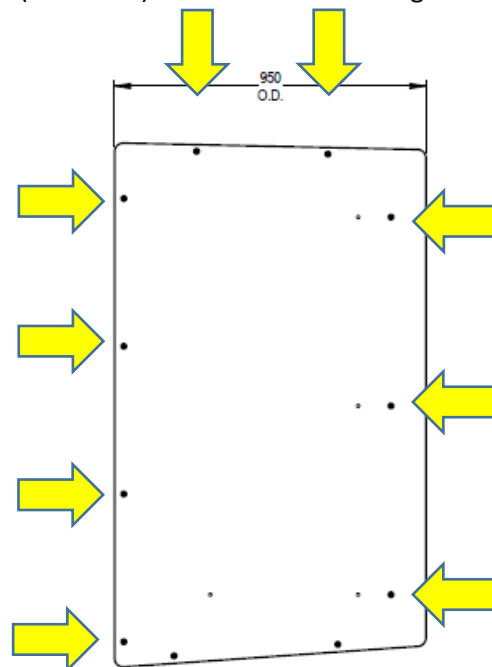


15. Pre-assemble the left (**P-03859-GAU**) and right (**P-03859-DRO**) roof panels with the bracket (**P-03877**)

a. Use flange screw (100-5497) X2 and flange nut (100-1262) X2 per bracket.



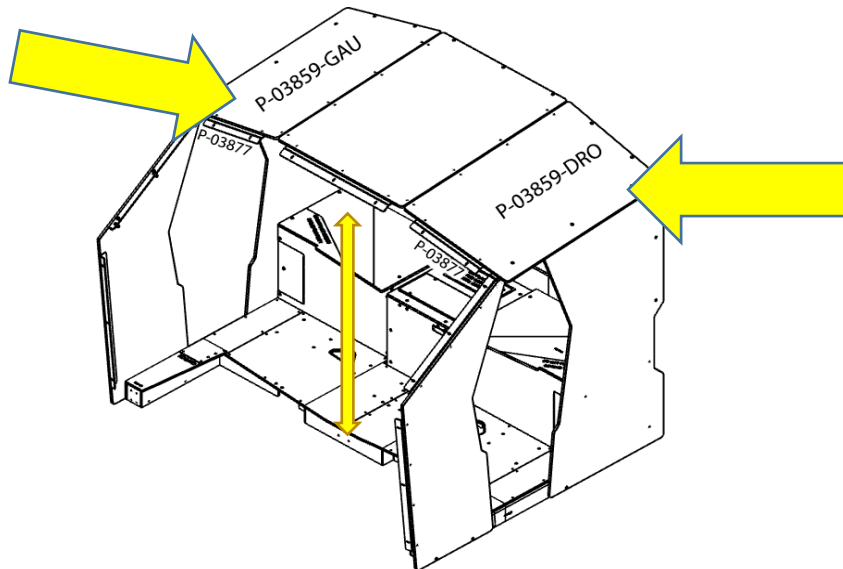
16. Insert the flange screw (100-5497) X9 in all the remaining holes of each panel (**P-03859-GAU**) and (**P-03859-DRO**).



 Panels are symmetrical.

17. Proceed to install the left (P-03859-GAU) and right (P-03859-DRO) roof panels.

f. Use flange nut (100-1262) X9 per panel.



### 8.4.3 Player Stations

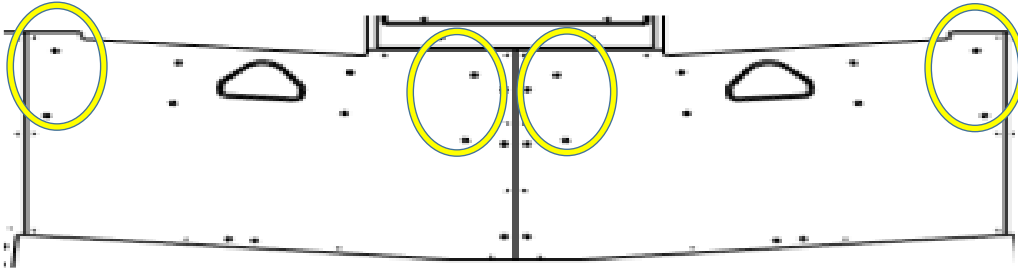
1. Make sure that the Player Station harnesses are passed through the triangle access in the floor.





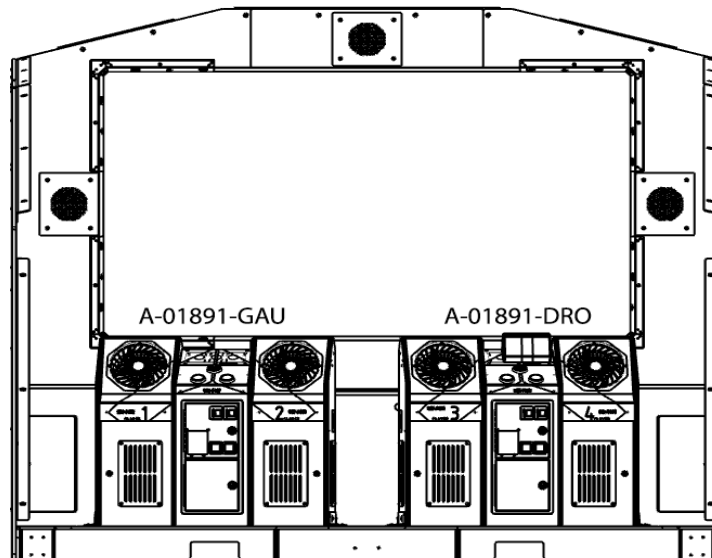
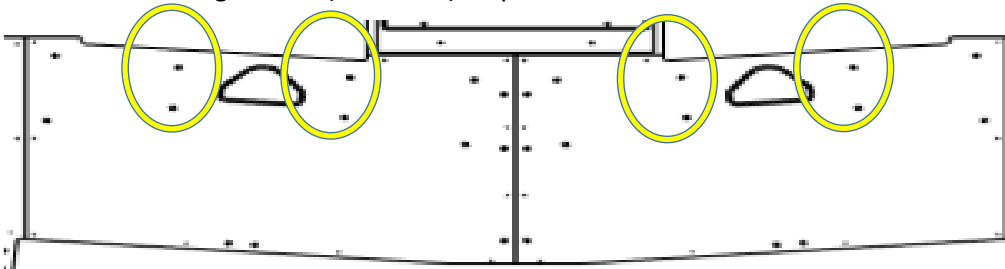
- 2. Install the **player stations 1&2** and **player stations 3&4** by lining up the brackets already installed with the pre-drilled holes, both in the stations and the floor.

- a. Use the screws flange screw (100-5497) X4 per stations.



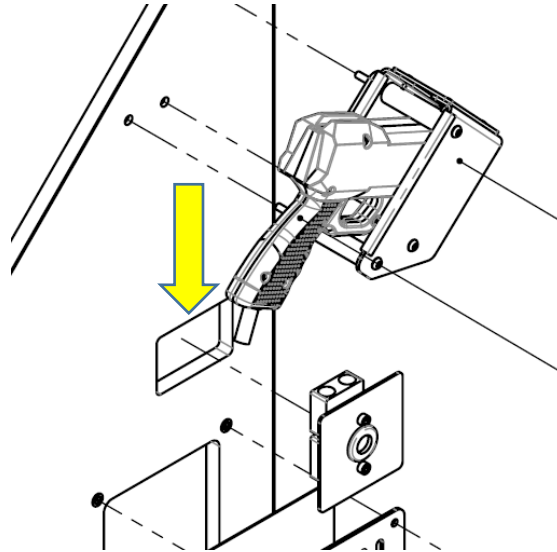
- 3. Once the stations are installed, open the doors, and proceed to screw the same screw inside the stations.

- a. Use the flange screw (100-5497) X4 per stations.

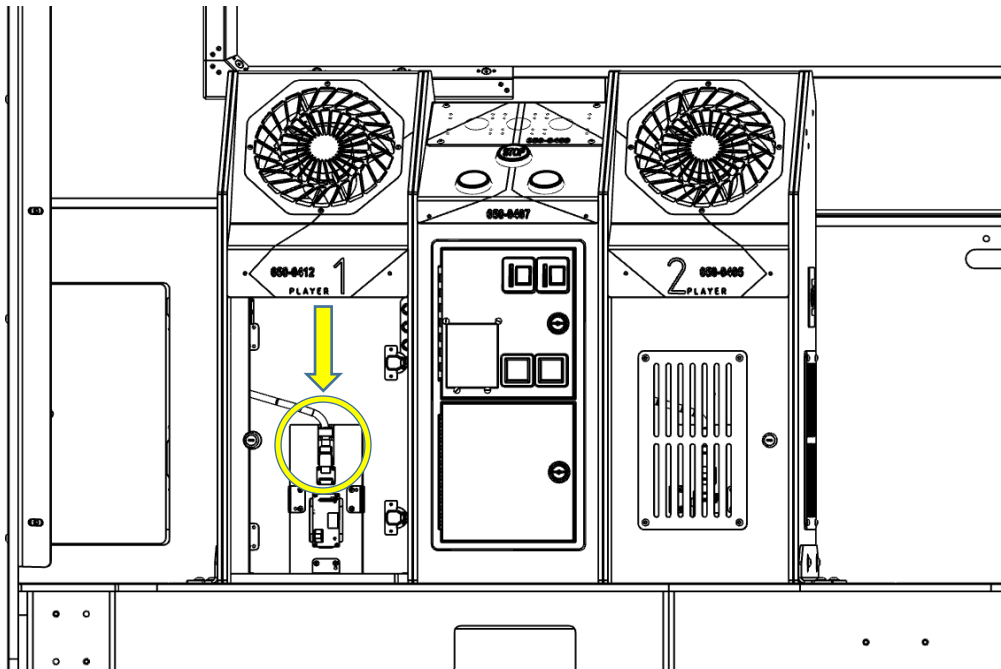


### 8.4.4 Gun installation

4. Insert the gun harness inside the side hole of the player station. Turn the rubber inside 90 degrees.
  - a. Use Allen key 5mm to tight the screw.



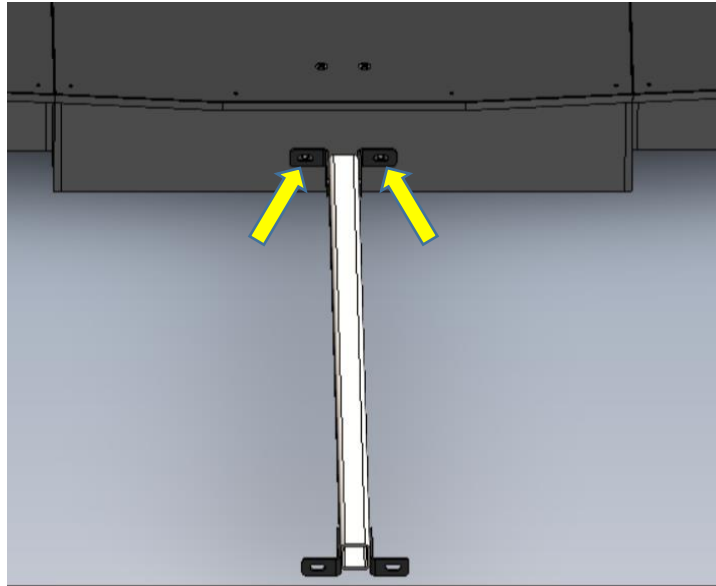
5. Connect the HDMI cable in the female HDMI inside the player stations. Use the cable-tie clip to secure the cable in place. Repeat the process for all player positions.



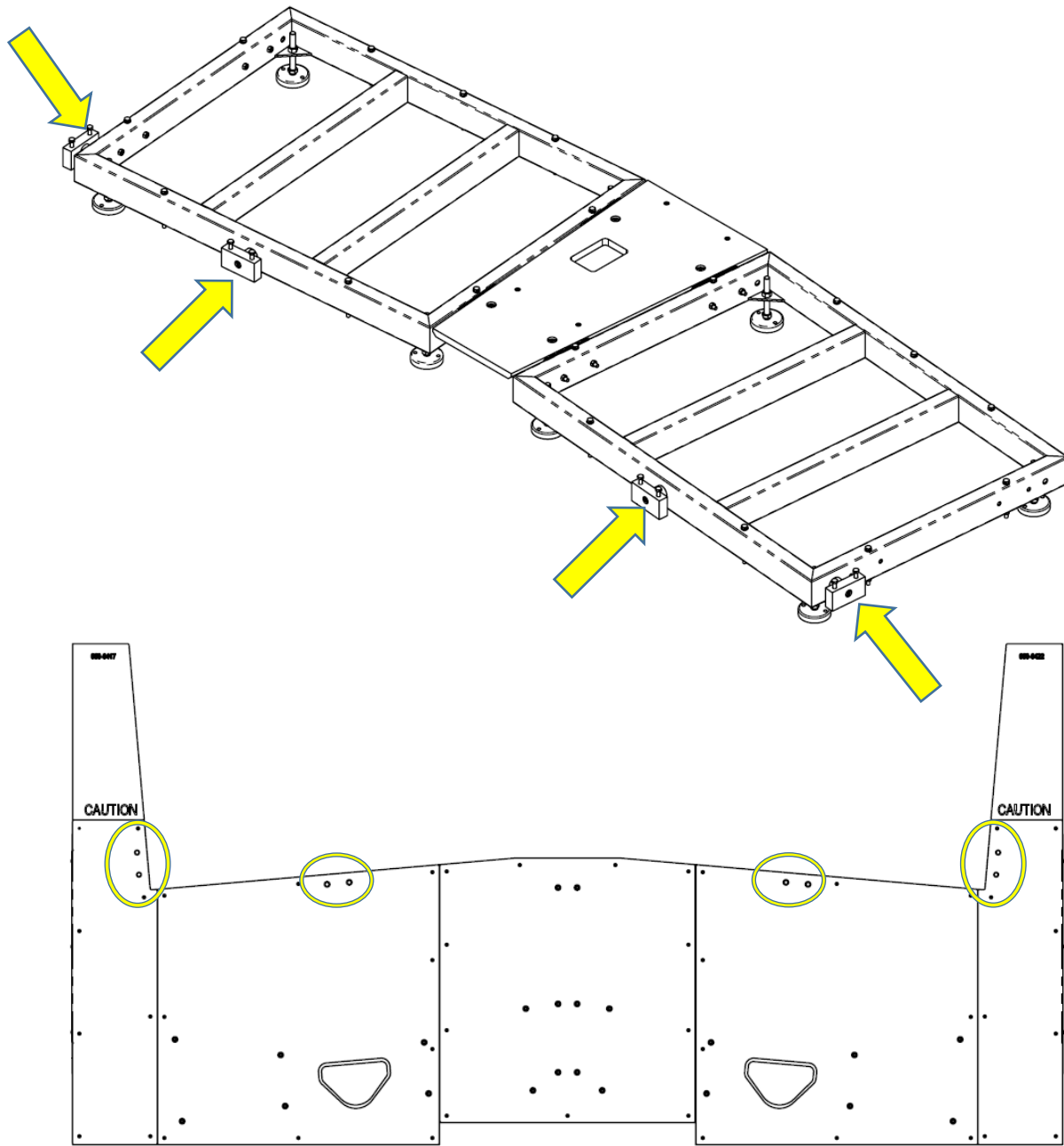


### 8.4.5 *Seat Installation*

1. Install the reinforce tube (**A-01843**) on the side of the floor.
  - a. Use flange screw (100-5497) X2.

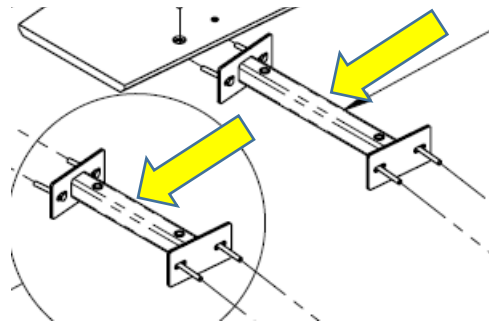


2. Install the base support (**A-01840-GAU**) and (**A-01840-DRO**) next to the stage. The rubber bumper should be aligned with the hole in the stage as shown below.
  - a. Use (100-5199) X4 per base support.
  - b. Use 13mm Hex box.

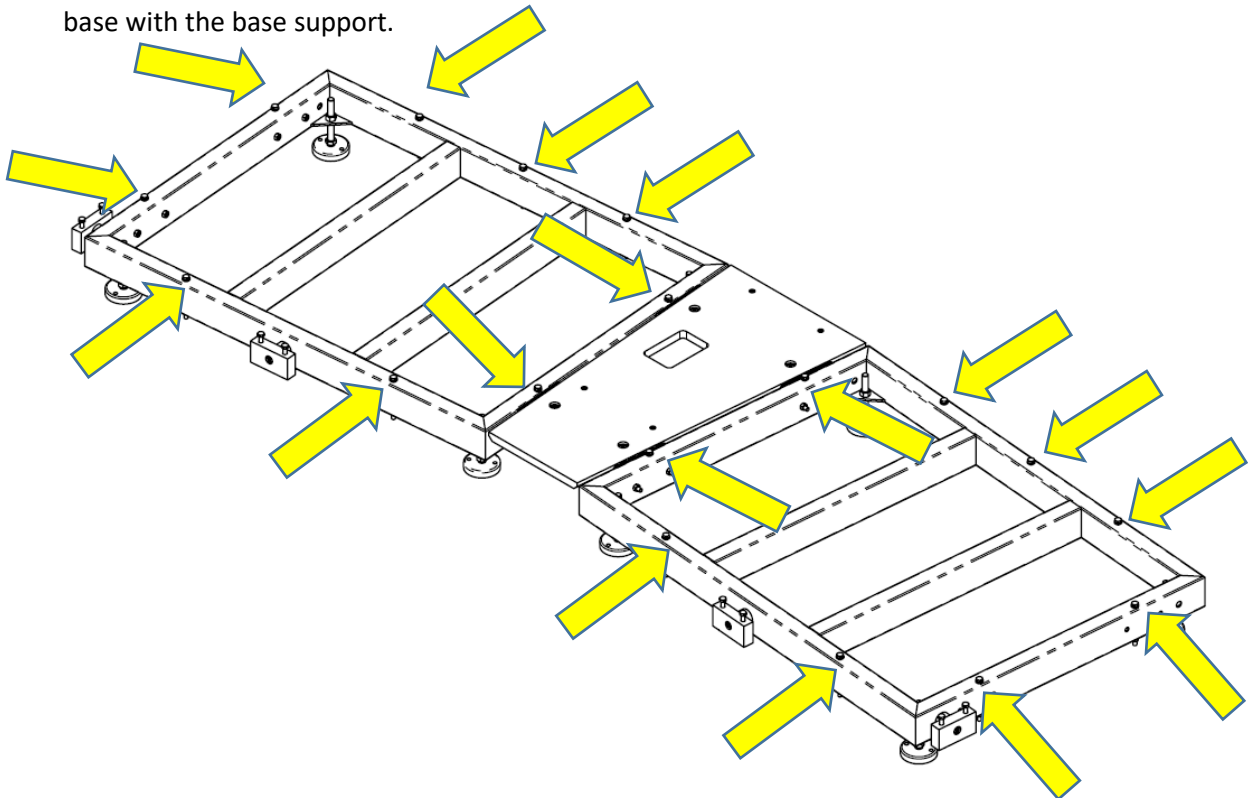


Before tightened the bracket, pre-align the cover.

2. Install bracket P-03989 and P-03990.
  - a. Use hex bolt (100-0699) X4 per bracket.
  - b. Use 13mm Hex box.



3. To install the cover (**P-03986**), you must pre-align the cover on the bracket before tightened them.
  - a. Use flange screw (**100-5497**) X4.
  - b. Use 5mm Allen key.
4. Take the harness (**A-50259**) and (**A-50260**) that was preliminary pull under the floor and pull it further under the base support.
5. Slide the seats base (**A-01824**) from the wood pallet to the base support. Align the hole of the base with the base support.



- a. Use bolt (**100-0501**) X9 per seat with washer (**100-0496**) X9.
- b. Use Hex box 13mm to tight it.

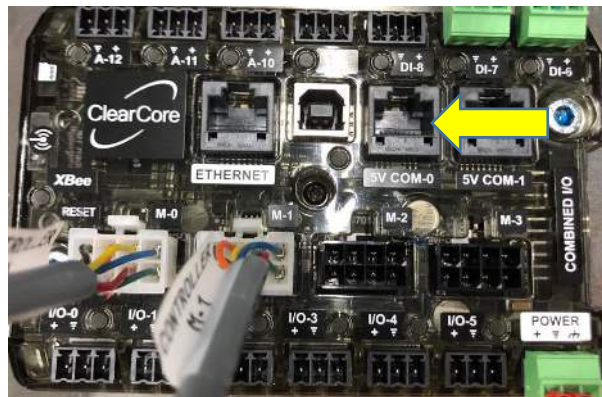


## 8.5 Connecting the motion seats

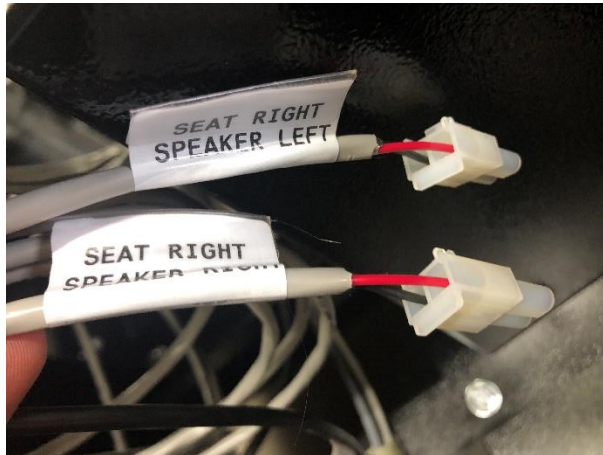
6. Connect the connectors inside the seat base. The next steps are to do in both motion seat.
  - a. Harness labelled: **SEAT 1&2 / SEAT 3&4** in the connector labeled: **SEATS**.



- b. RJ45 Cable labelled: **SEAT 1&2** or **SEAT 3&4** or **5V COM-0** in the Clear Core controller at the RJ45 plug named: **5V COM-0**



- c. Connect the speaker cable according to the label. Seat Left – Speaker Left and Right, Seat Right – Speaker Left and Right.

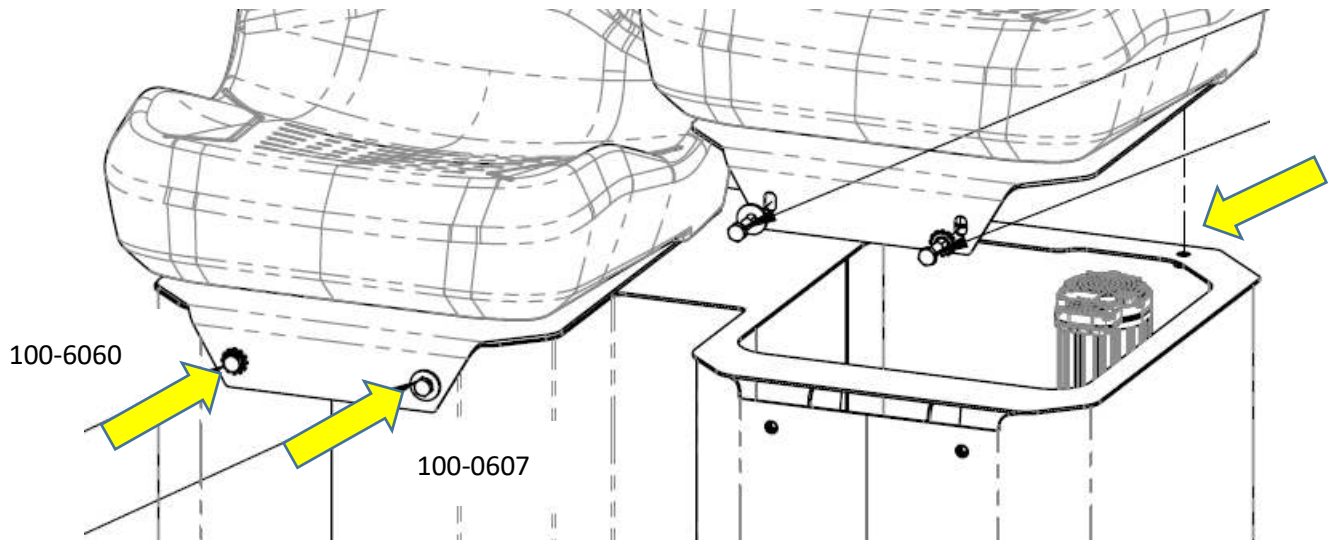


- d. Connect the LED connector labelled: **SEATS LED** with the same connector from the Right Seat. An extension LED cable must be connected from the Right seat to the Left seat.



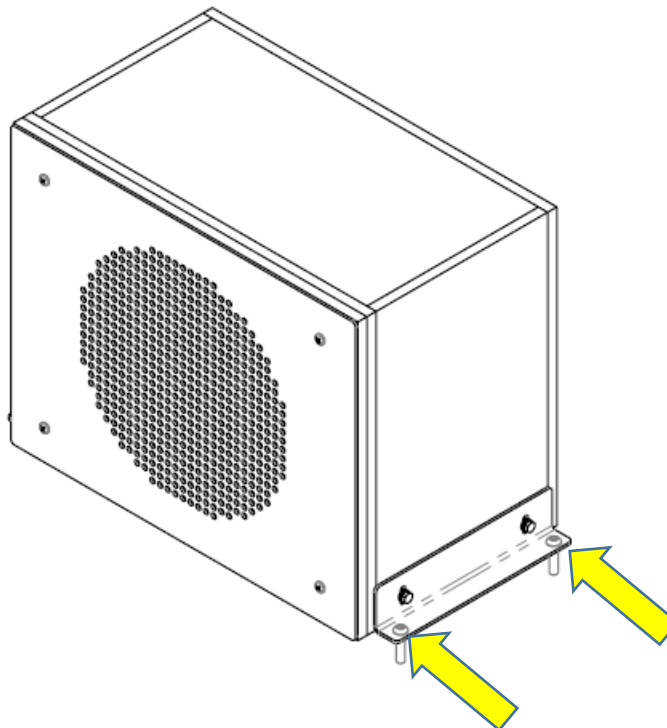
7. Install the seats on the seats base.

a. Use bolt (100-5071) X4 per seat with washer (100-0607) X3 and washer (100-6060) X1.





8. Install the subwoofer (**A-01851**). Connect the subwoofer connector that comes from the left seat harness. The connection of the subwoofer is under the sub. There is a hole in the wood panel to pass the cable through.
  - a. Use flange screw (100-5497) X4.



## 8.6 *Completing the installation of the structure*

### 8.6.1 *TOP LED panels*

1. Prepare the **P-03878** and **P-03880** bracket on the (**A-01943**) and (**A-01944**) LED panels.
  - a. Use flange nut (100-1262) X3 for P-03878
  - b. Use flange nut (100-1262) X2 for P-03880

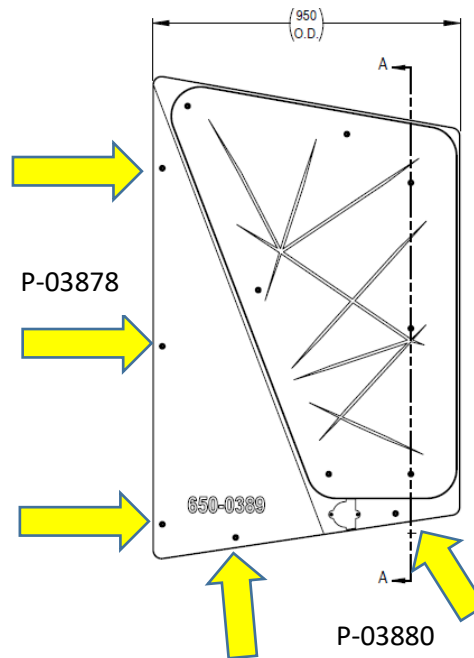
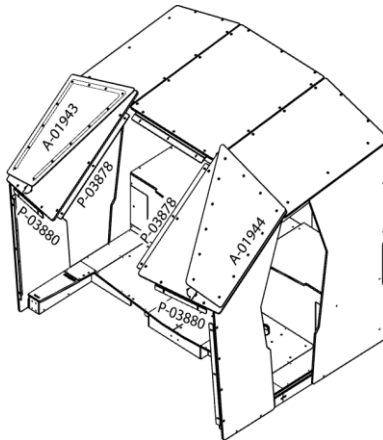


Image is for A-01944. A-01943 is symmetrical of A-01944.

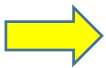
2. Install the panels (**A-01943**) and (**A-01944**).
  - a. Use flange nut (100-1262) X5 per panel.
  - b. Make sure to open the LED protector cap using a Philips screwdriver temporarily.

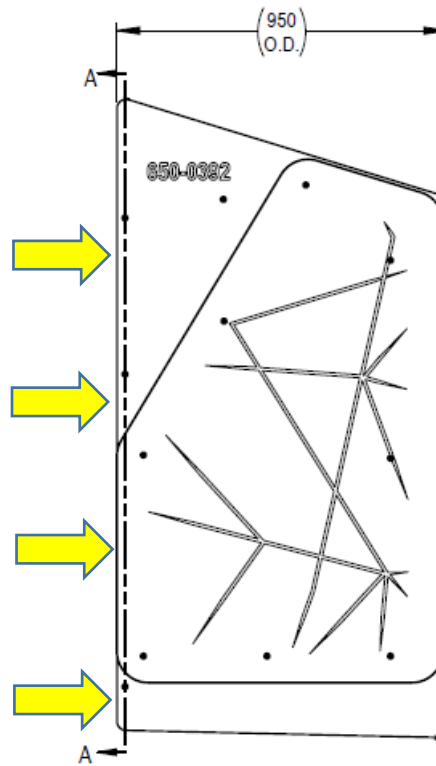
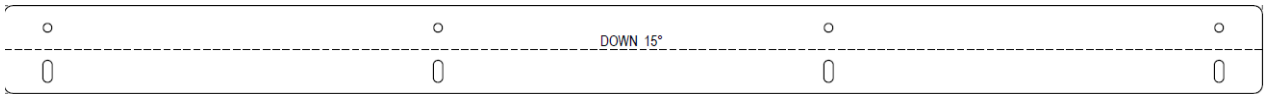


We recommend protecting the inner corners of A-01943 and A-01944 with Styrofoam to prevent injury while working on the interior components.

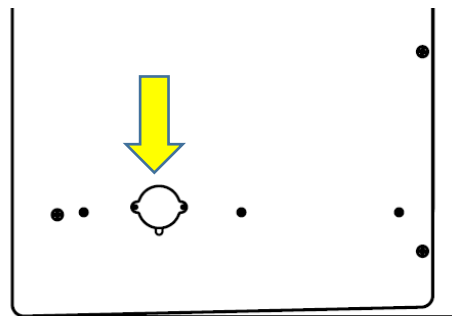
### 8.6.2 Bottom LED panels

2. Prepare the bracket (**P-03881**) on the panel (**A-01946**) and (**A-01947**).
  - a. Use flange nut (100-1262) X4 per bracket.
  - b. Use the hole of the bracket and not the oval hole.



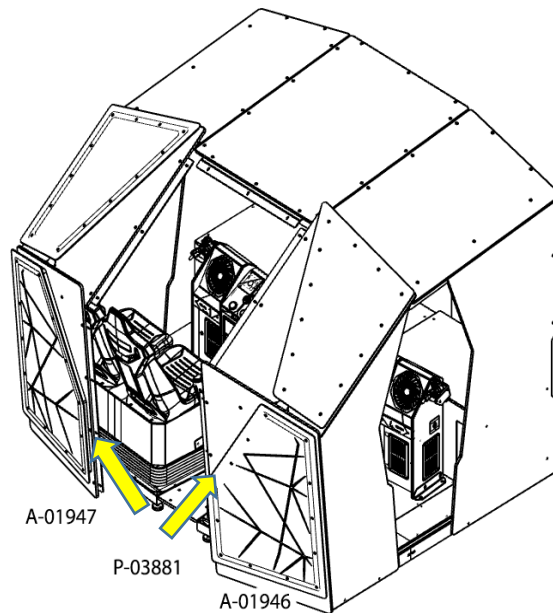


3. Make sure to open the LED protector cap using a Philips screwdriver temporarily.





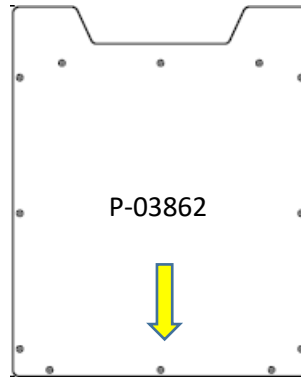
3. Install the back panels (**A-01946**) right and (**A-01947**) left. Make sure to connect both LEDs connectors (One at the top, an the other at the bottom of the panel) and close the LED protector cap after installing both panels.
  - a. Use flange nut (100-1262) X5 per panel.



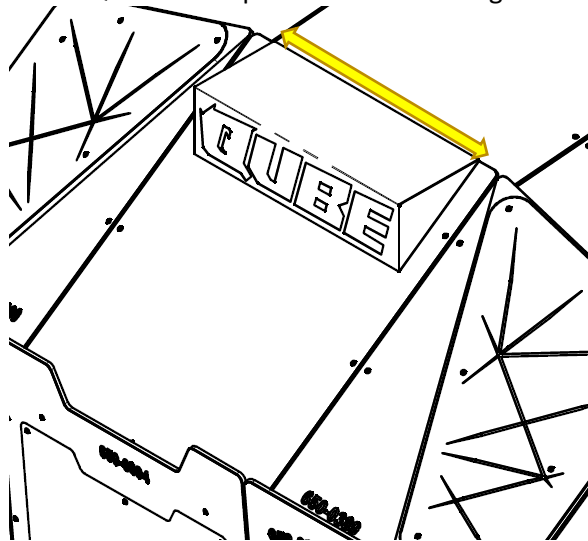


## 8.6.3 Middle panels

4. Prepare the panel (**P-03862**), install the flange screw (100-5497) X12.
  - a. Install the bracket (**P-03879**)
  - b. Use flange nut (100-1262) X3.



- c. Install the marquee Qube on the panel. Center and align with the end of the panel.

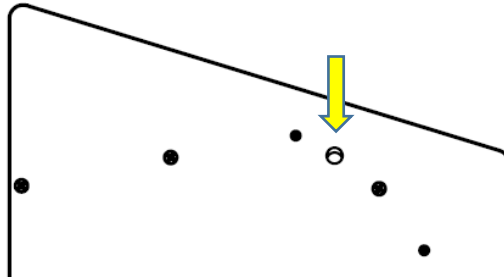


The image show the panel already installed, but we recommend installing the marquee before and then installing the panel on the structure.

5. Install the center roof panel (**P-03862**).
  - a. Use flange nut (100-1262) X9.

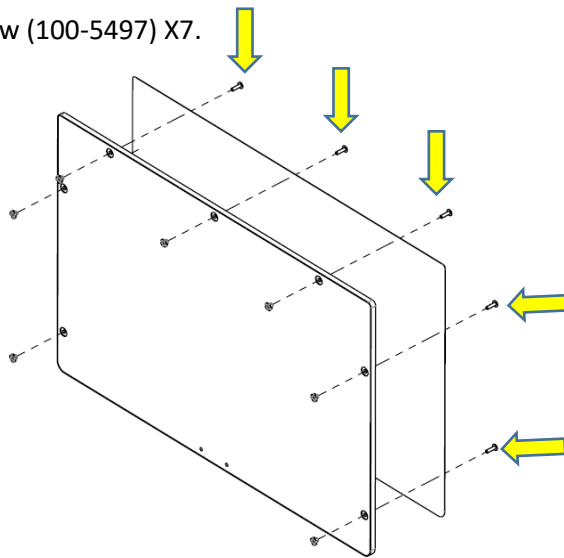


6. Connect the LED of the marquee with the LED cable that comes from the left panel (A-01947).



7. Prepare the panel (P-04083) by installing the flange screw.

- a. Use flange screw (100-5497) X7.




8. Install the bracket (P-04084).

- a. Use flange nut (100-1262) X3.

9. Install the prepared panel (P-04083) between the 2 LED panels.

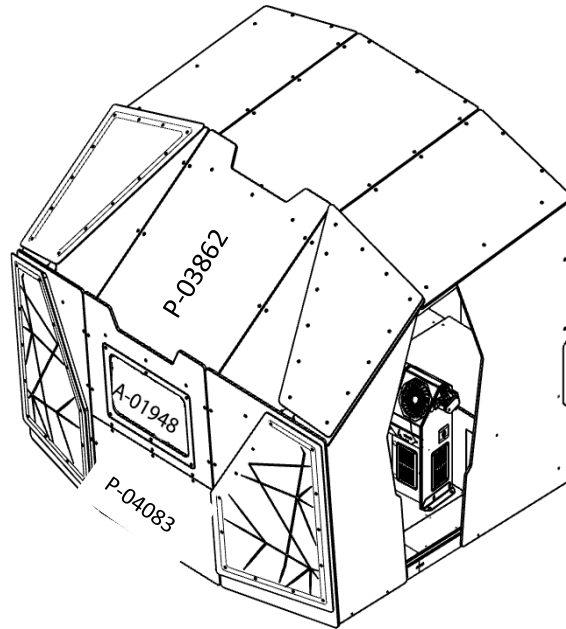
- a. Use flange nut (100-1262) X4.
- b. At the same time, connect the panel with the reinforced tube in the middle.
  - i. Use flange screw (100-5497) X2 and flange nut (100-1262) X2.

 Adjustment might be needed on the bracket of the reinforce tube.

10. Prepare the panel (A-01948).

- a. Use flange screw (100-5497) X10.

11. Install the panel (**A-01948**) to finish the structure installation.
  - a. Use flange nut (100-1262) X10.



12. At this point, you can remove the supporting pole.
13. Tightened all flange nut inside the structure using a power drill or a ratchet.
  - a. Use 13mm hex box.



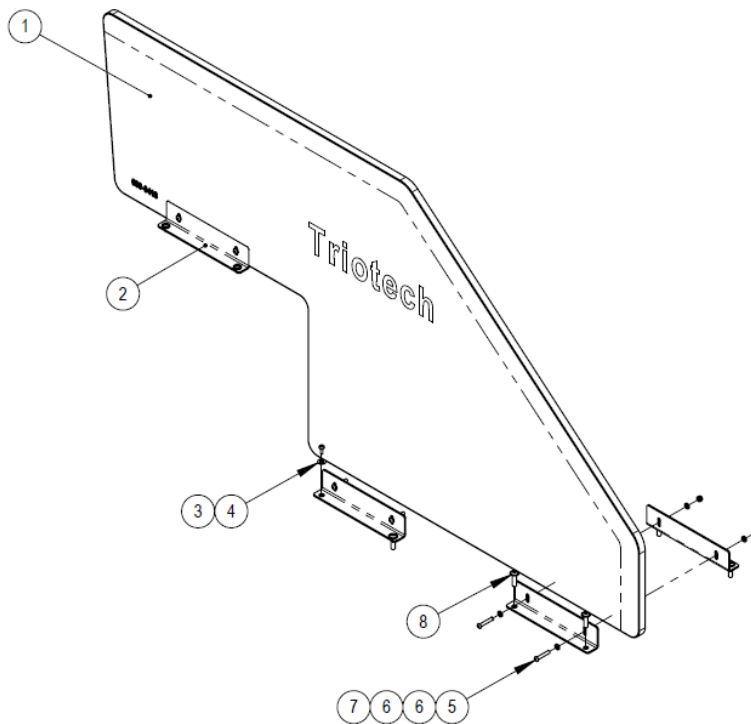
We suggest to limiting the clutch position of the power drill to approximately 9 to make sure to not break the panel. **DO NOT USE IMPACT mode.**



8.6.4 Middle divider

14. Install the middle divider assembly (A-01908) in between the seats, on the subwoofer case.

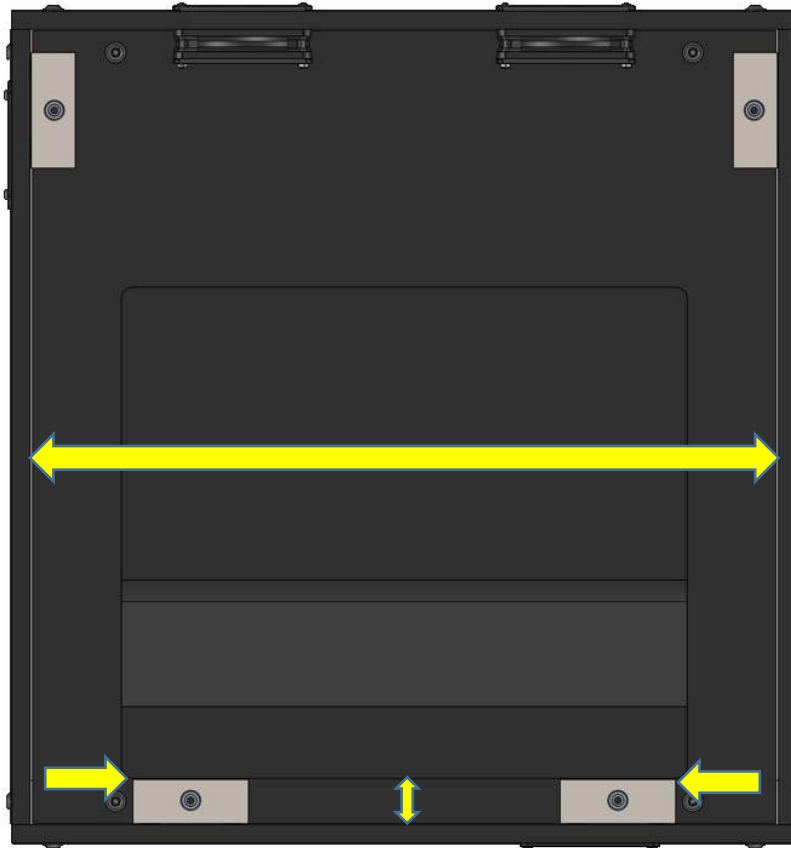
ITEM #	QUANTITY	TRIOTECH CODE	DESCRIPTION
1	1	P-04133	DR4CO – SEPARATION
2	6	P-04005	SUPPORT SUBWOOFER
3	6	SD-100-0146	WOOD SCREW #14 X 5/8"
4	6	SD-100-0032	FLAT WASHER 1/4"
5	6	100-5573	B.H.C.S. M6 X 35MM BLACK
6	12	100-1352	FLAT WASHER M6 BLACK
7	6	CAT-10269	NYLON NUT M6 X 1
8	6	100-5497	S.B.H.S. BO M8 X 1,25MM X 20MM



## 8.7 Component installation

### 8.7.1 Projector installation

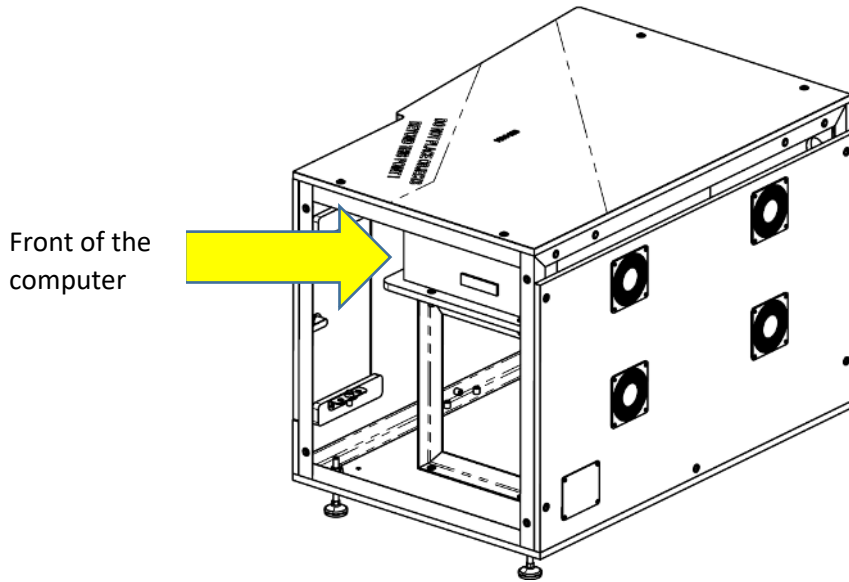
1. Take the projector out of the box and remove shipping protections.
2. Place it inside the middle cabinet.
  - a. The back of the projector where all connection can be made should be towards the screen (where the ventilation fans are)
3. The front of the projector should align with the bracket of the top panel of the middle cabinet. See the yellow arrow below.
  - a. Align the side of the projector equally as much as possible.





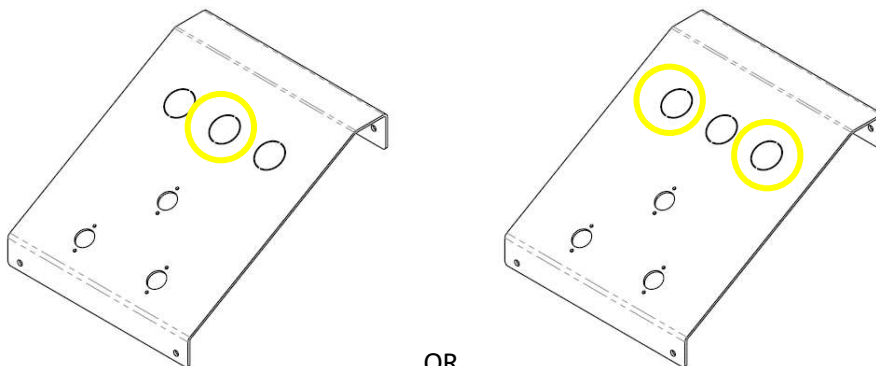
### 8.7.2 Computer installation

1. Take the computer out of the box and remove the shipping protections.
2. Install it directly in the right cabinet on the computer support.
3. The back of the computer should face the left side of the cabinet (where the cables are).

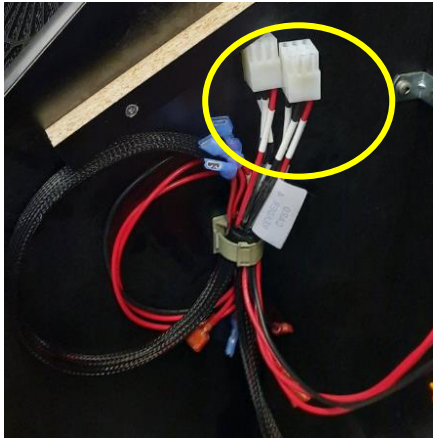


### 8.7.3 Coin Acceptor / Card reader installation

1. In each player stations, there is a plate with 3 punch holes. It is the same principle than an electrical box. Simply punch through using a Screwdriver. To make sure to not break anything, we suggest disassembling the entire plate and look under it for the punch holes. This way, you won't make any mistake to prevent to scratch the plate.
  - a. If you have 1 card reader, simply punch through the middle one.
  - b. If you have 2 cards reader, punch through the side ones.



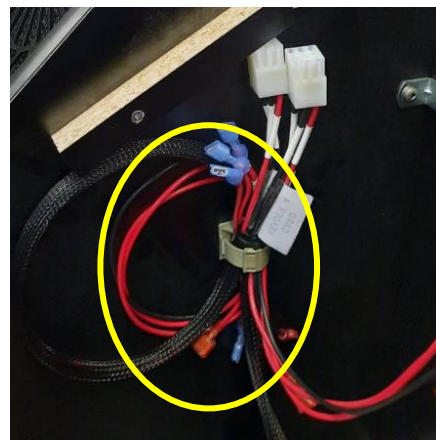
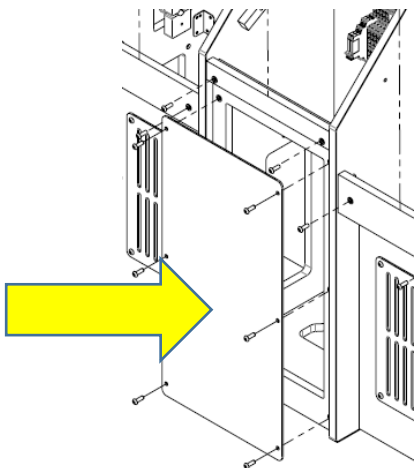
2. Connection can be made using a UCL connection, located inside the player stations or



3. Connection can be made directly on the Terminal Block located right under the plate.



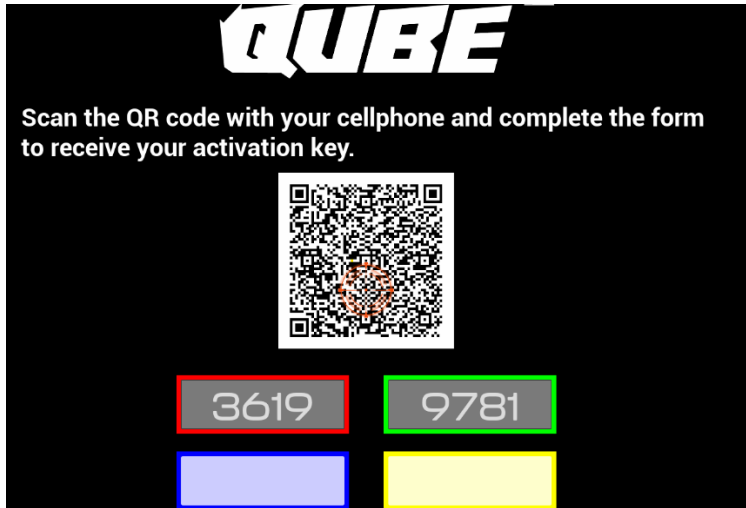
4. With a coin acceptor, remove the front middle plate and install your coin acceptor. Connection can be made using the Quick Connect.





## 8.8 Configuration

1. On the first power-up, you'll have to complete a form and activate your Qube. Follow the instruction on the screen and on the form using your phone. This information is important for us to support you.



The image shows a registration form titled "Triotech v1.0.2 PRODUCT REGISTRATION". It has several input fields: "First name", "Last name", "Company", "Email", and "Job title". There is also a checkbox labeled "If you bought from your local distributor".

The image shows the continuation of the registration form. It includes dropdown menus for "Country" and "State/Province/Region", an "Address" field, a "Machine serial number" field with the value "QB-S-22-10-00006", and a "Code" field with the value "0". Below these fields is a checkbox and a paragraph of text: "By submitting this form, I agree to receive Triotech's communication regarding news, updates and products. You may unsubscribe at any time. Please refer to our Privacy Policy for more details." At the bottom is a yellow "SUBMIT" button and four links: "Privacy Policy", "Terms and Conditions", "Contact", and "FAQ". The footer shows the URL "activation.trio-tech.com".

2. You should have receive an e-mail with the validation code. Enter it in the blue and yellow rectangle to activate, then you're all set!



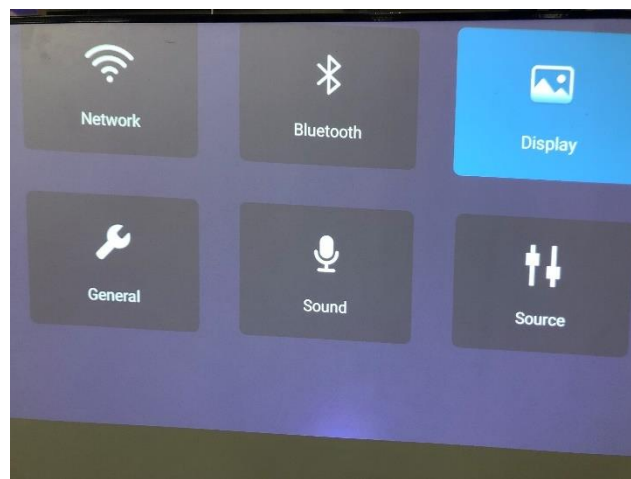
## 8.8.1 Projector configuration

### 8.8.1.1 Keystone

1. Press the home button.
2. Select Settings



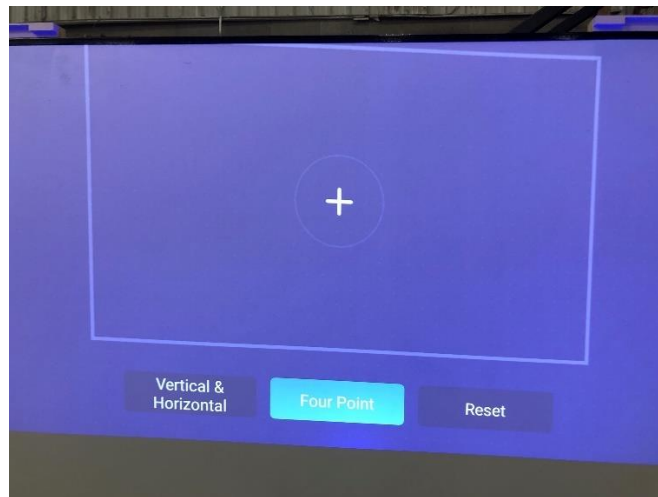
3. Select Display



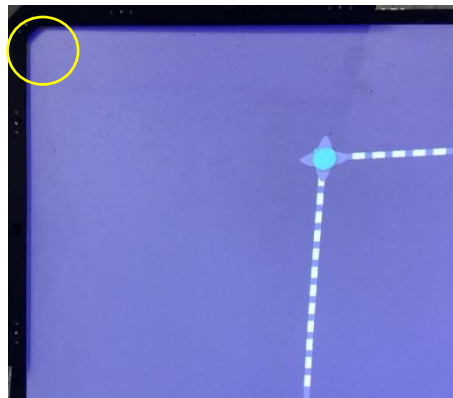
4. Select Keystone Correction



5. Select Four Point



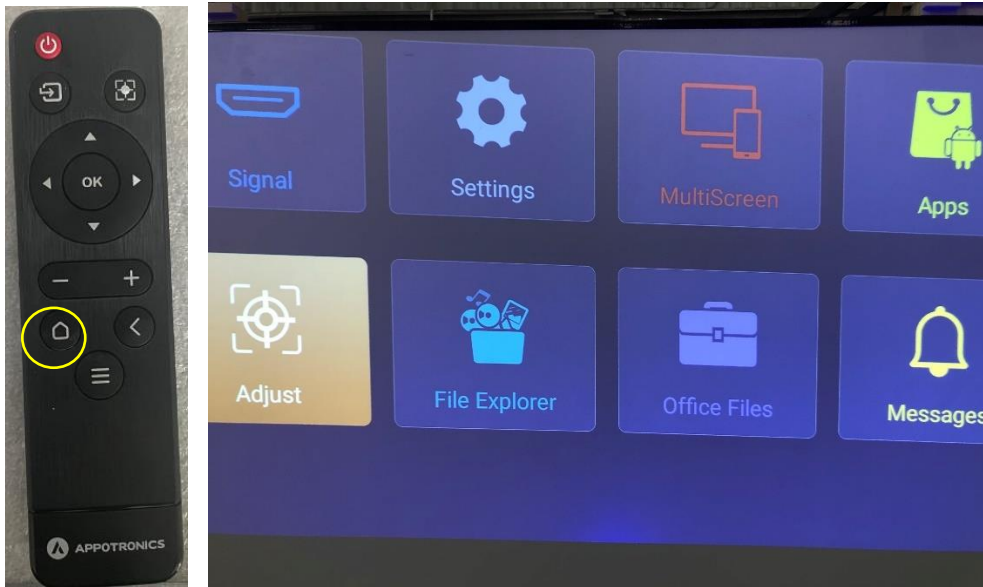
6. By selecting the four corner individually, make sure to align the video projection on each corner of the screen.



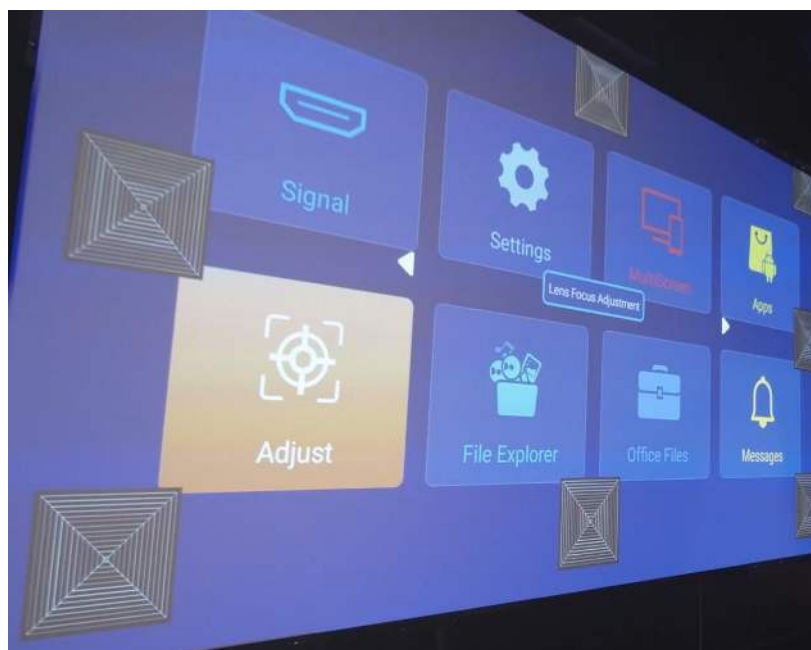
7. When your done, simply go back with the home button or the back button.

### 8.8.1.2 Focus

1. Press the home button.
2. Select Adjust.

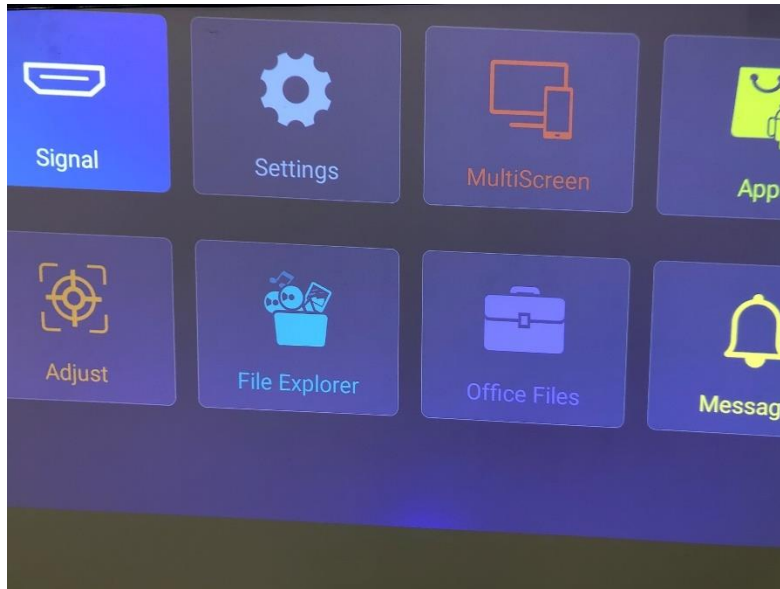


3. As much as you can, make sure to see all focus square as clean as possible. This is a try and error manipulation.





4. When your done, simply go back with the home button or the back button.
5. Select Signal and then HDMI 1 to return on the Qube game.

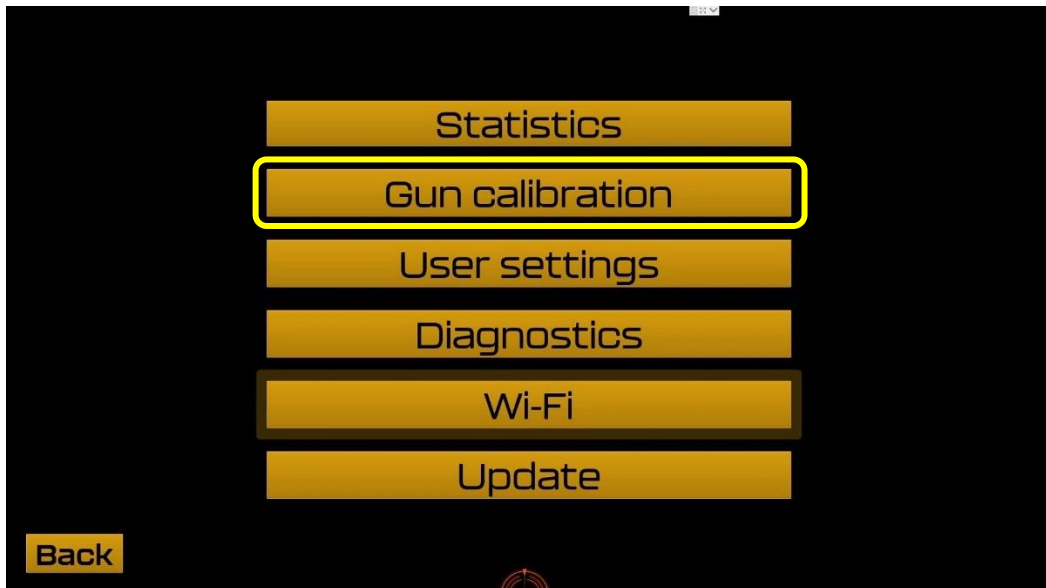


### 8.8.2 Calibration

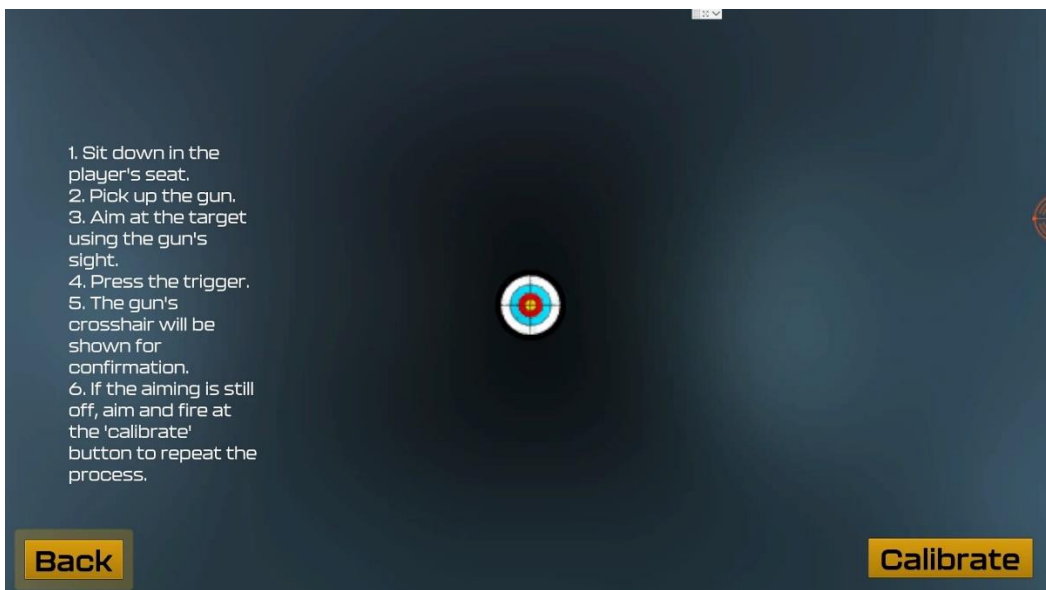
1. To access the calibration mode, first you must press the Maintenance button.
  - a. It is located inside the computer cabinet. Open the door of the right cabinet. The button will be just under the computer support.



2. Then, select Gun Calibration menu.



3. Sit in one of the four seat and take the gun for the player position.
4. Select Calibrate.
5. Aim at the target in the middle of the screen and,
6. Press the trigger. The gun is now calibrated.



7. Do the same for all the guns. Then go back to the Qube game.



## **9** *Triotech Service and Support Team Contact*

---

Triotech Amusement Inc.  
780 rue Marion  
Joliette, Québec  
Canada  
J6E 8S2

Phone: +1 (450) 760-9082 (Press 1 for Service and Support)  
Toll Free (US/CAN): 1-888 465-4634  
Fax: +1 (450) 760-9348  
[service@trio-tech.com](mailto:service@trio-tech.com)  
24-hour technical support



