



PLINKOTM

Precautions for Use

WARNING

Be sure to use indoor wiring within the specified voltage requirements. It is not recommended to use extension cables. If for some reason an extension cable must be used then, please ensure that the rating of the extension cable matches that of the machine specifications or greater. Never use a multi-connection extension cable.

- Be sure to use the attached power cord.
- Do not lay the power cord where people walk through.
- Be sure to ground this product.
- Do not exert excessive force when moving the machine.
- For proper ventilation, keep the machine at least 100mm (4") away from the walls.

If there is any abnormality such as smoke, bad smell or abnormal noise being emitted from the machine, immediately turn OFF the main power switch and unplug the power cord.

- **Using the machine in abnormal conditions may result in a fire hazard or accidents.**

In case of abnormality

- 1 Turn OFF the main power switch.
- 2 Unplug the power cord from the machine.
- 3 Contact your nearest dealer.

- **Do not leave the power cord plugged in incorrectly or covered with dust.**
- **Do not plug or unplug the power cord with wet hand.**
- **In handling the power cord, following the instructions below.**

- | | |
|-----------------------------------|--------------------------------------------|
| ➤ Do not damage the power cord. | ➤ Do not modify the power cord. |
| ➤ Do not bend the power cord. | ➤ Do not twist the power cord. |
| ➤ Do not heat the power cord. | ➤ Do not pull the power cord. |
| ➤ Do not sandwich the power cord. | ➤ Do not stand on the power cord. |
| | ➤ Do not drive a nail into the power cord. |

Be sure to turn OFF the main power switch and unplug the power cord from the product before inspecting or cleaning the machine.

When replacing parts, be sure to use parts of the correct specification. Never use parts other than those specified.

Opening inside the machine shall be done by a machine specialist or engineer qualified to do so as high current and voltages are present inside.

If the sub power switch of the service panel is turned OFF without turning OFF the main power switch of the power supply unit, some parts in the units remain live. When opening the back door, be sure to turn off the main power switch and unplug the power cord from the receptacle.

Strictly refrain from disassembly and repair of parts which are not indicated in this manual, as well as settings and remodeling.

Precautions for Use

CAUTION

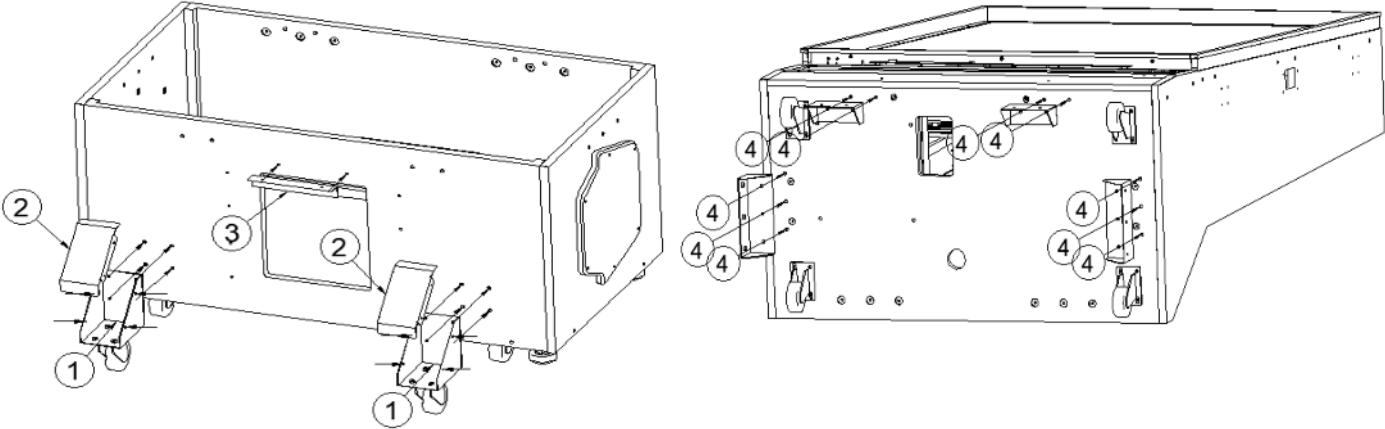
- **Do not use this machine anywhere other than industrial areas.**
Using in a residential area or an area next to a residential area could affect signal reception of radios, television sets, telephones, etc.
- **When moving the machine, do not push the glass section. Tempered glass is used but it can still smash if pressed hard. If the glass is smashed, personal injury can occur to the player or bystanders.**
- **For safety reasons, do not allow any of the following people to play the game.**
 - Those who have high blood pressure or heart problem.
 - Those who are intoxicated or under the influence of drugs.
 - Pregnant women
 - Those who are not in good health.
 - Those who have experienced muscle convulsions or loss of consciousness when playing video games, etc.
 - Even players who have never been adversely affected by light stimulus might experience dizziness or headache depending on their physical condition when playing the game.
 - Those who have neck or spinal cord problems.
- **To avoid injury from falls and electric shock due to spilled drinks, instruct the player not to place items such as drinks on the machine.**
- **To avoid electric shocks and short circuits, do not allow customers to put hands, fingers or extraneous matter into the openings of the machine or small opening around the doors.**
- **To avoid falls and resulting injury, immediately stop the customer from leaning against or climbing upon the machine.**
- **Instruct guardians of small children to keep an eye on their children at all times.**
- **Children cannot sense danger. Allowing small children to get near a player who is playing the game may result in the child being bumped, stuck or knocked.**

Specification

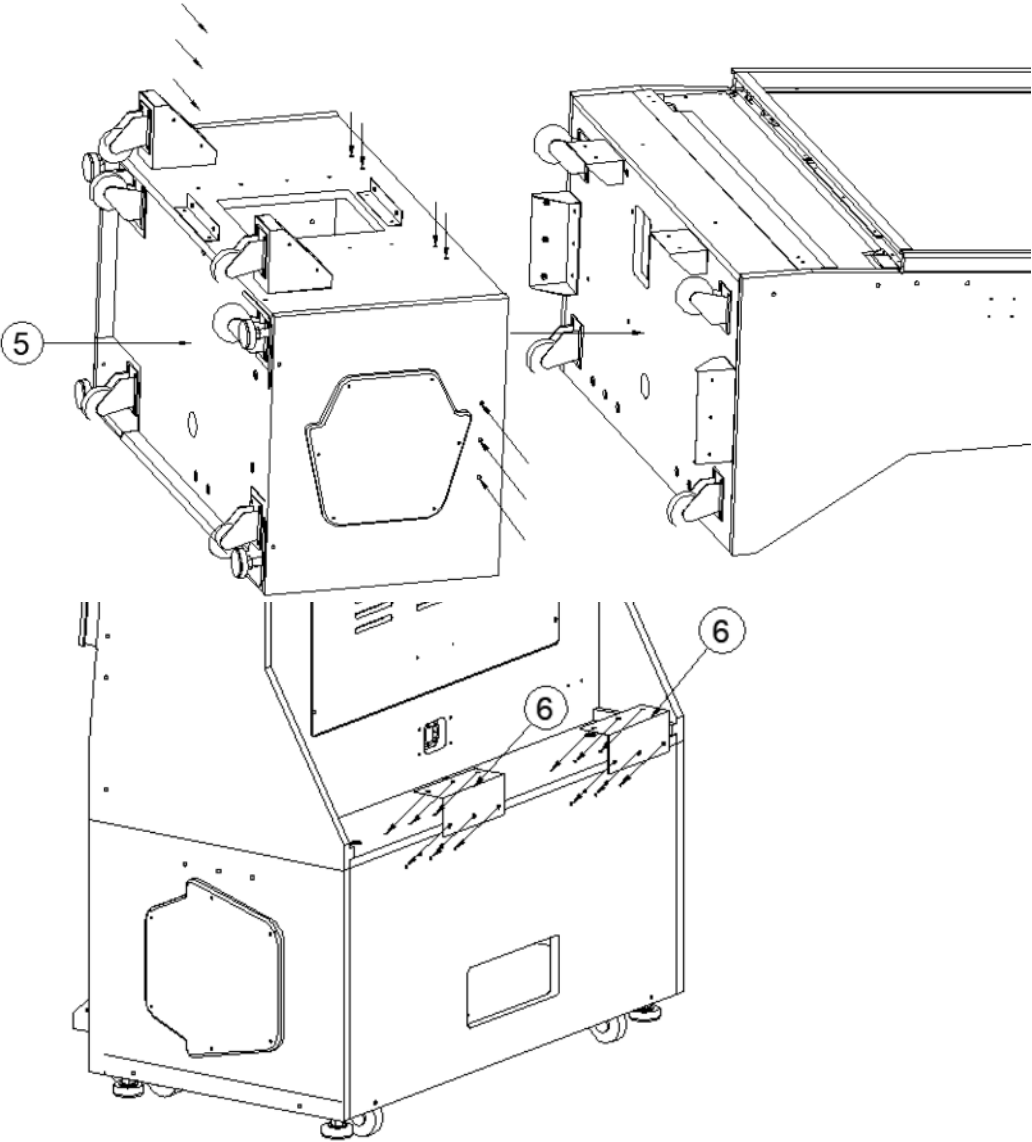
MODEL NAME	PLINKO
MODEL NO.	KM-PLK-G01
NOMINATED VOLTAGE RANGE	AC 110V / 220V
NOMINATED FREQUENCY RANGE	50Hz / 60Hz
AVERAGE POWER CONSUMPTION	200W
MAXIMUM POWER CONSUMPTION	250W
WEIGHT	280Kg

Installation

A. Fix the brackets as shown in the picture on the bottom case and main case.

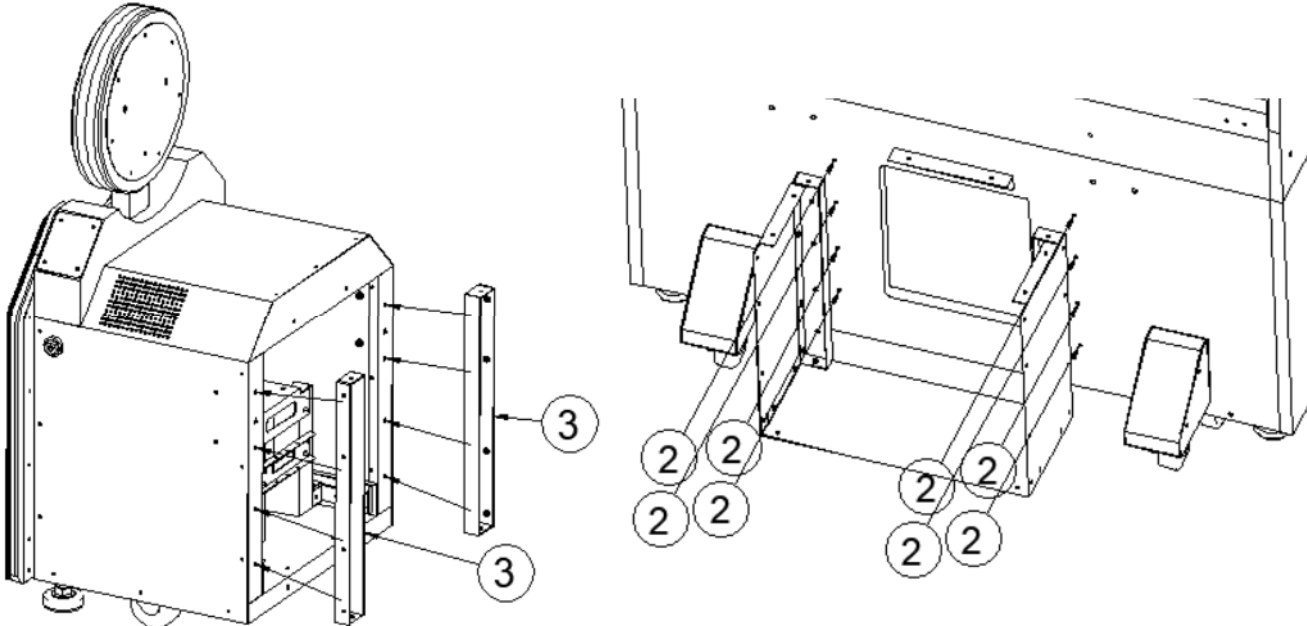


B. Put Main and Bottom case end to end and secure both cases as shown below.

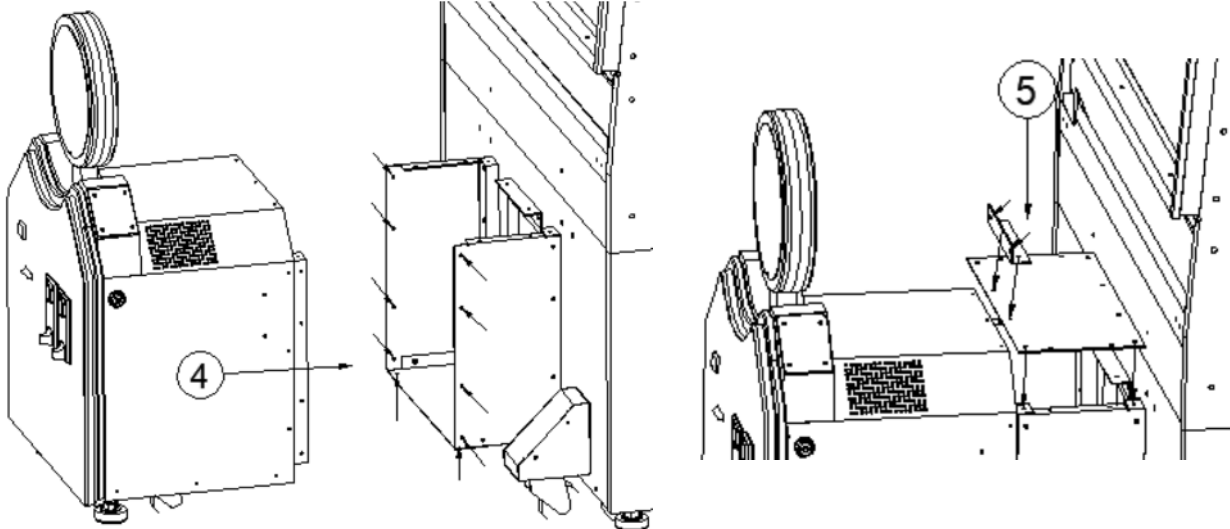


Installation

C. Assemble the brackets as shown in the picture.

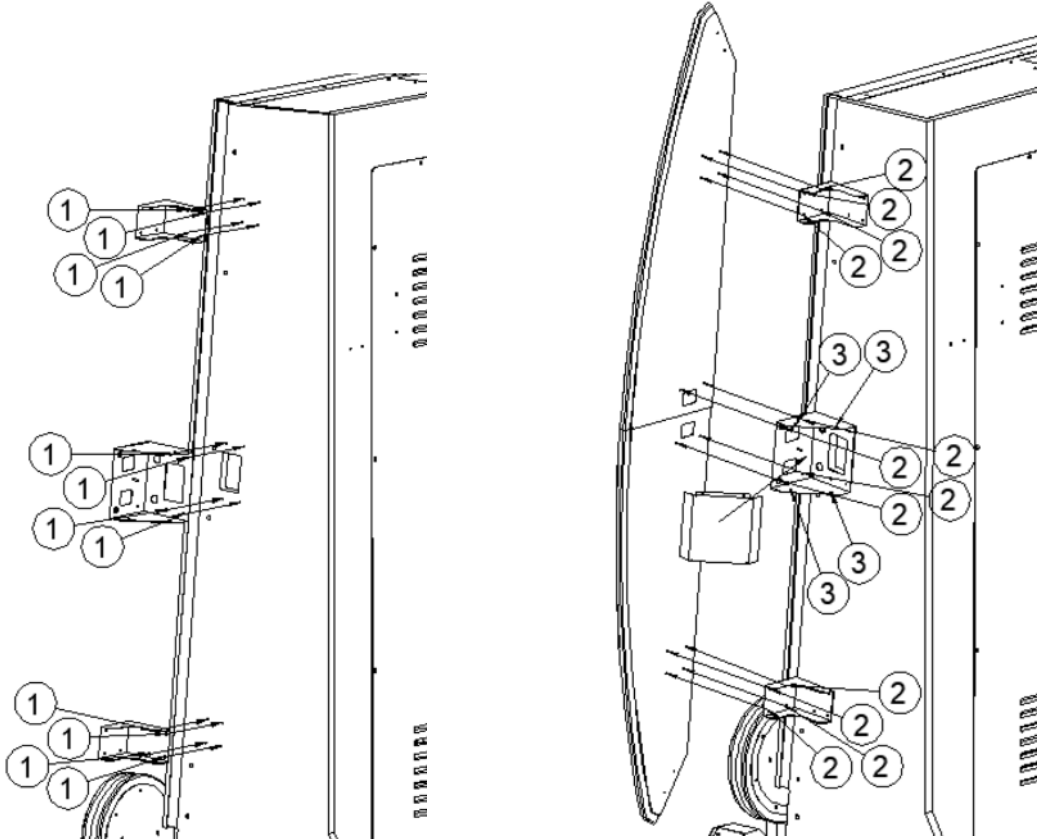


D. Put the Front Case and Main Case together and secure them.

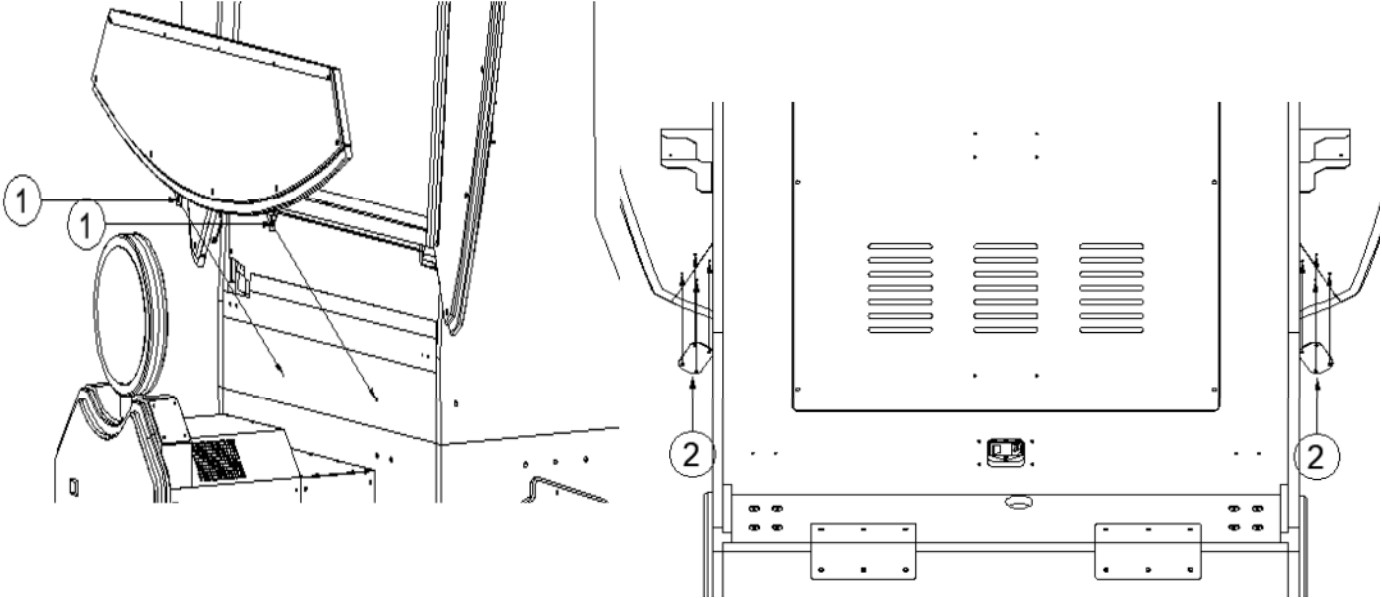


Installation

E. Assemble the Wing Assy brackets and attached the Wing Assy.

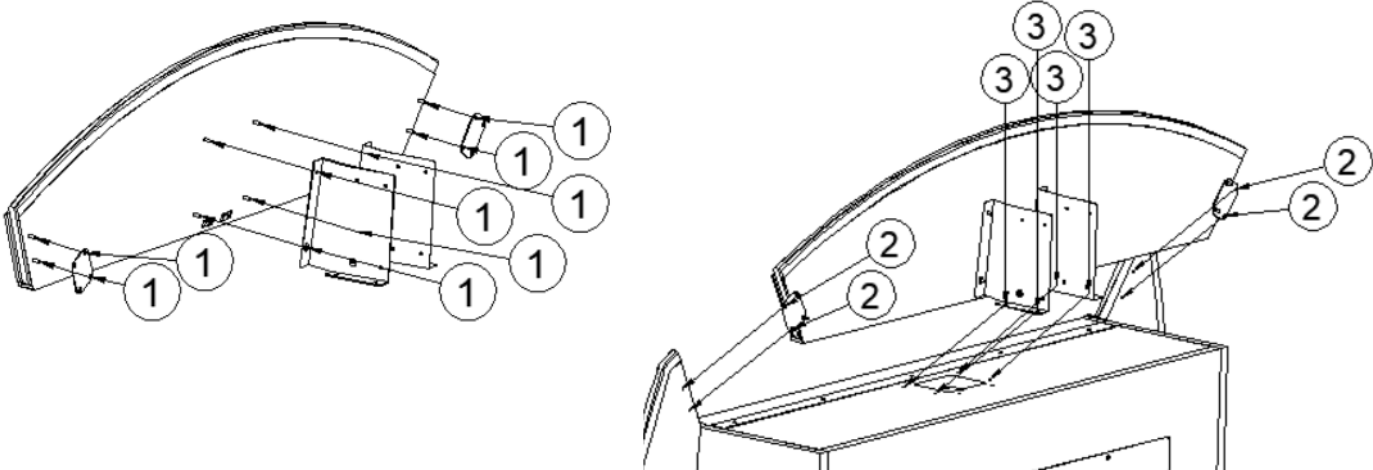


F. Attach the Score Panel to the main case and secure it.



Installation

G. Fix the brackets as shown in the picture and mount the billboard.



H. Fix the brackets as shown in the picture and mount the Mega Bonus FND.

