



## Innovative Concepts in Entertainment

10123 Main Street

Clarence, New York 14031

(716) 759-0360 Service Department

[WWW.ICEGAME.COM](http://WWW.ICEGAME.COM)

**Table of Contents**

Safety and Warnings 3

1 Cabinet Assembly 4 - 6

    Optional Stool Install 7 - 8

3 Cabinet Assembly 9 - 28

Program Settings 29 - 32

Part Diagrams 33 - 36

UCL Connection 37

Warranty 38

## SAFETY AND WARNINGS BEFORE YOU BEGIN

WARNING: WHEN INSTALLING THIS GAME, A GROUNDED A.C. RECEPTACLE MUST BE USED. FAILURE TO DO SO COULD RESULT IN INJURY TO YOURSELF OR OTHERS. FAILURE TO USE A GROUNDED RECEPTACLE COULD ALSO CAUSE IMPROPER GAME OPERATION, OR DAMAGE TO THE ELECTRONICS.

**NOTE: THIS GAME IS INTENDED FOR INDOOR USE ONLY.**

DO NOT DEFEAT OR REMOVE THE GROUNDING PRONG ON THE POWER CORD FOR THE SAME REASON AS GIVEN ABOVE. USING AN IMPROPERLY GROUNDED GAME COULD VOID YOUR WARRANTY.

HAVE A QUALIFIED ELECTRICIAN CHECK YOUR A.C. RECEPTACLE TO BE SURE THE GROUND IS FUNCTIONING PROPERLY.

THIS GAME IS DESIGNED TO DISSIPATE STATIC ELECTRICITY THROUGH THE GROUNDING PLANE OF THE GAME. IF THE A.C. GROUND DOES NOT WORK, THE GAME COULD DISCHARGE STATIC ELECTRICITY THROUGH THE GAME CIRCUITRY, WHICH COULD CAUSE DAMAGE.

THE POWER SUPPLY IS NOT VOLTAGE ADJUSTABLE. TO OPERATE THE GAME AT VOLTAGES OTHER THAN THOSE IT WAS DESIGNED FOR. PLEASE CONTACT OUR SERVICE DEPARTMENT FOR VOLTAGE CONVERSION INFORMATION.

### WARNING

DO NOT remove any of the components on the main board (e.g. compact flash and eproms) while the game is powered on. This may cause permanent damage to the parts and the main board. Removing any main board component part while powered on will void the warranty.

ALWAYS REMOVE POWER TO THE GAME, BEFORE ATTEMPTING ANY SERVICE, UNLESS NEEDED FOR SPECIFIC TESTING. FAILURE TO OBSERVE THIS PRECAUTION COULD RESULT IN SERIOUS INJURY TO YOURSELF OR OTHERS.

THIS GAME IS NOT SUITABLE FOR INSTALLATION IN AN AREA WHERE A WATER JET COULD BE USED.

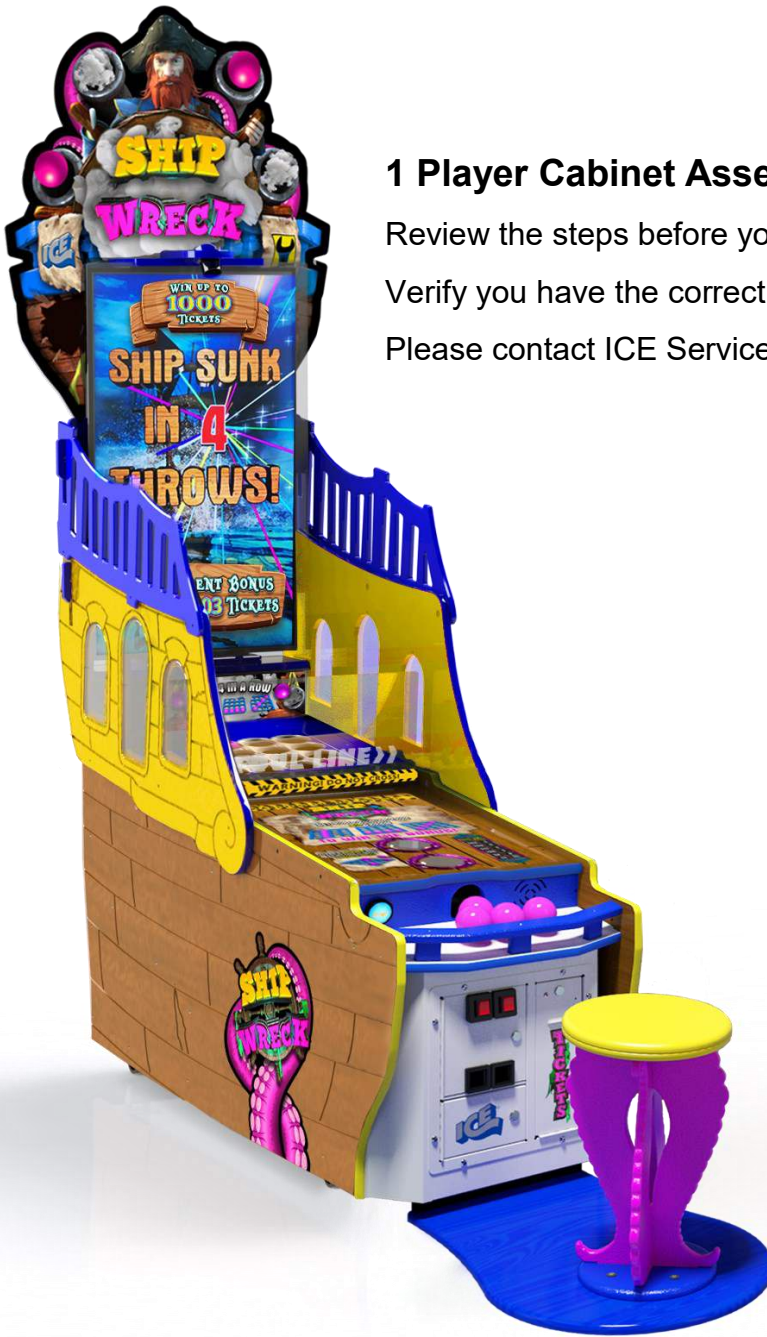
This appliance is not intended for use by persons (including children) with reduced physical, sensory or mental capabilities, or lack of experience and knowledge, unless they have been given supervision or instruction concerning use of the appliance by a person responsible for their safety. Children should be supervised to ensure that they do not play with the appliance.

## AC Power Information

The games main fuse is accessed through the back of the game at the power mod. Above the power cord is a small panel that contains the main fuse.

The value of the fuse for 120 volt users is 7 AMPS at 250Volt type slow blow.

The value of the fuse for 230 users is 4 AMPS at 250 Volt type slow blow.



## 1 Player Cabinet Assembly Guide

Review the steps before you begin the assembly.

Verify you have the correct amount of hardware.

Please contact ICE Service if any parts are missing.

### Included with your game.



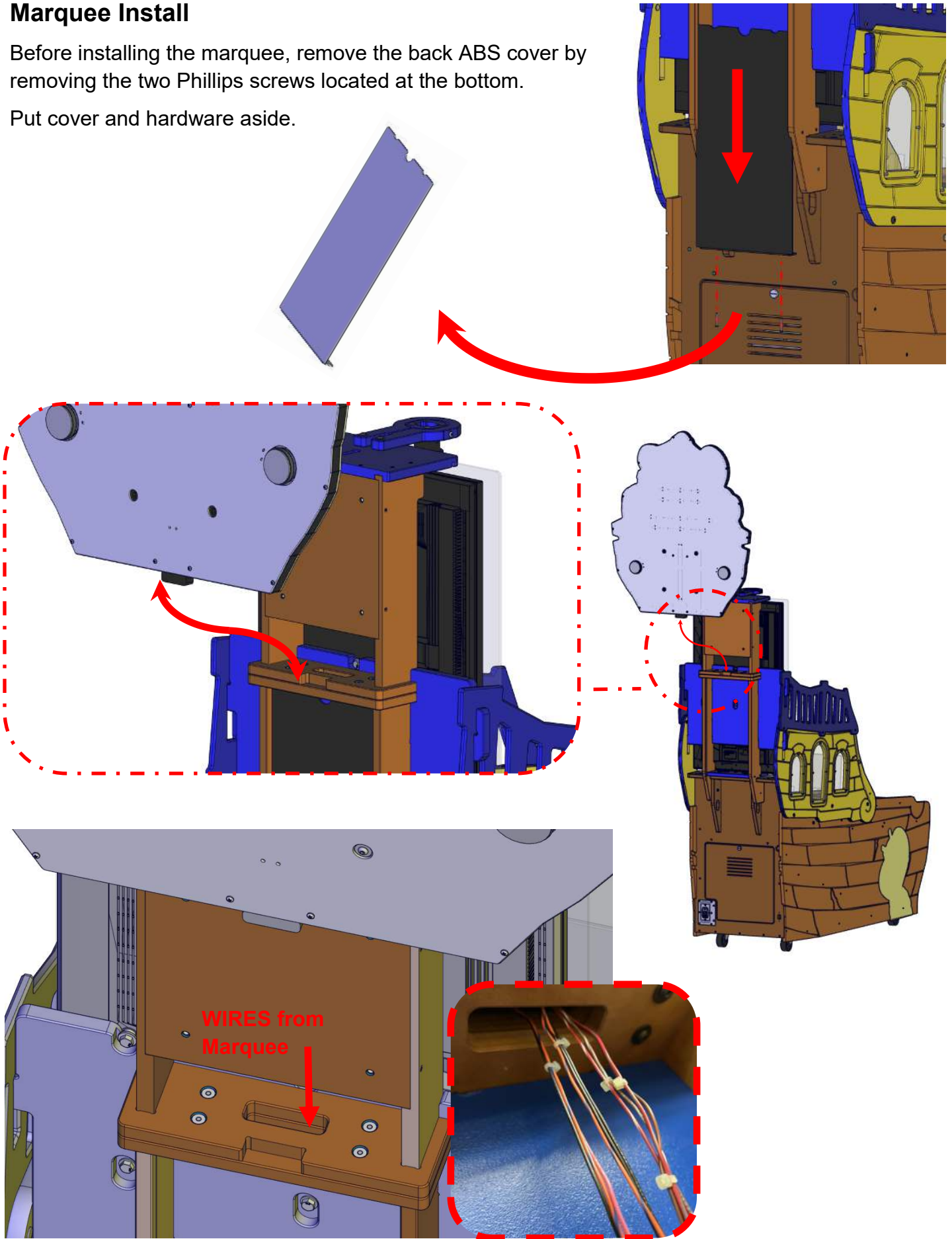
### Additional with Stool Option.



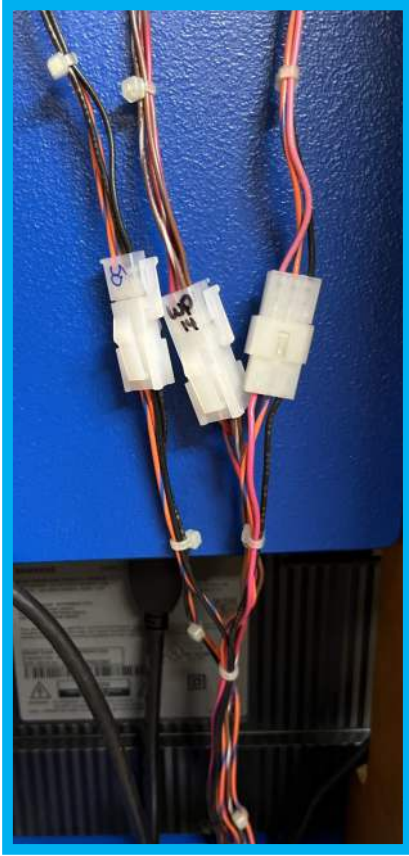
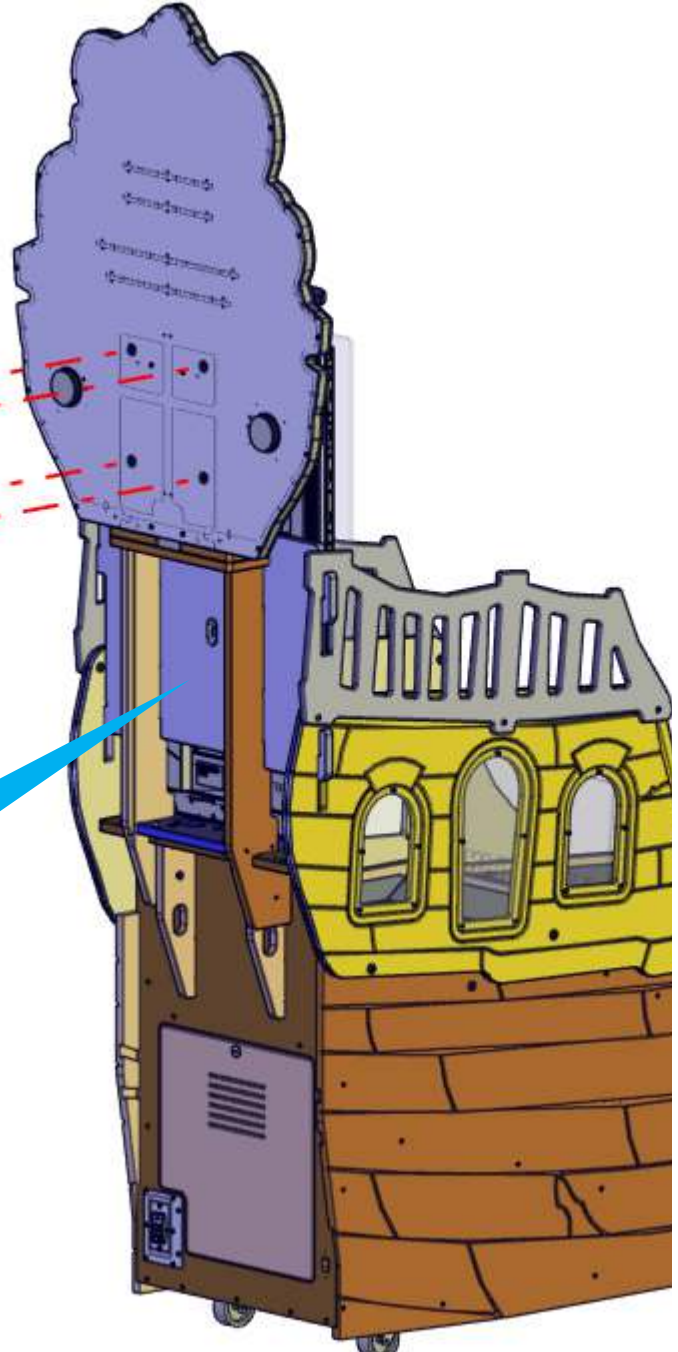
## Marquee Install

Before installing the marquee, remove the back ABS cover by removing the two Phillips screws located at the bottom.

Put cover and hardware aside.



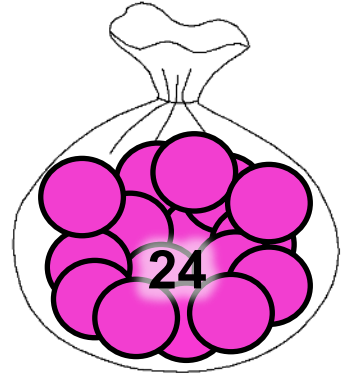
Secure the marquee using four AA6220 Allen's and four AA6212 washers. Reinstall the back ABS cover with the hardware you put aside.



Connect the harnesses and replace the back ABS cover you removed earlier.

Toss all balls into the playfield.

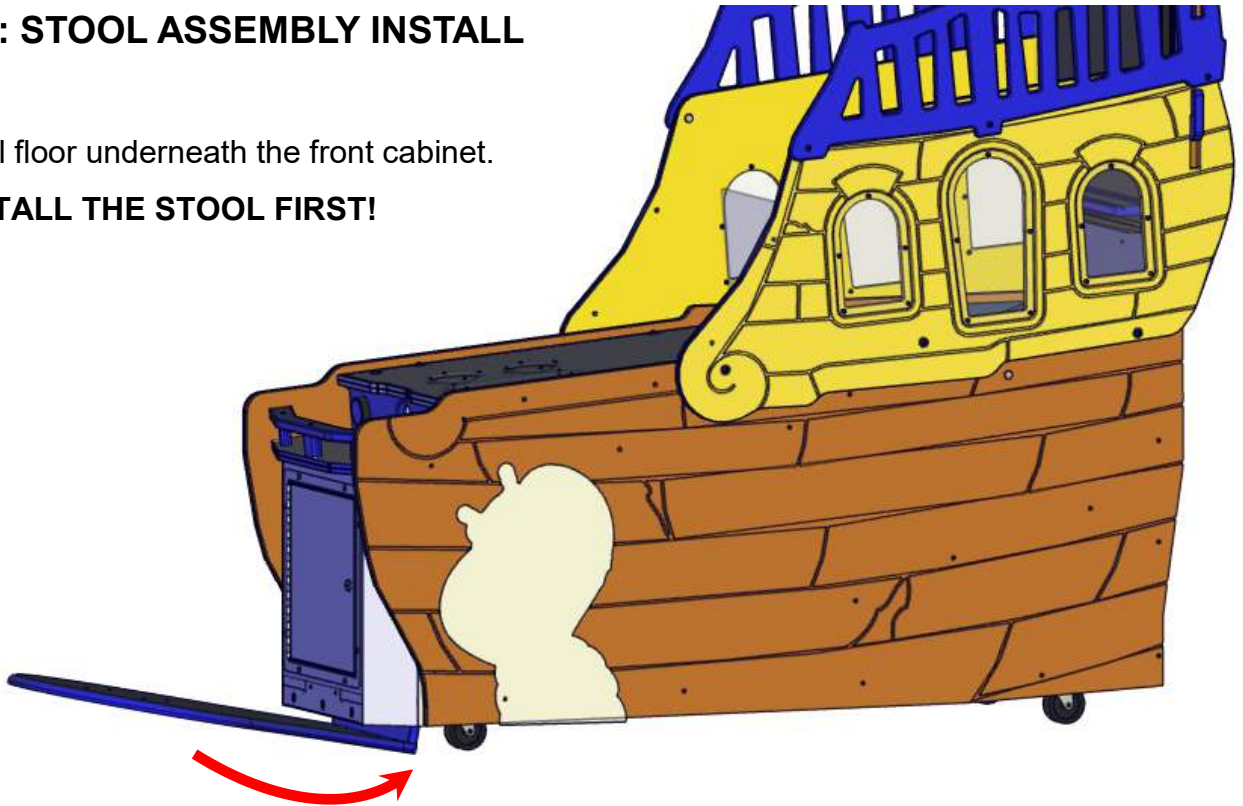
Do not operate the single player game with less than 18 balls.



## OPTIONAL: STOOL ASSEMBLY INSTALL

Slide the stool floor underneath the front cabinet.

**DO NOT INSTALL THE STOOL FIRST!**



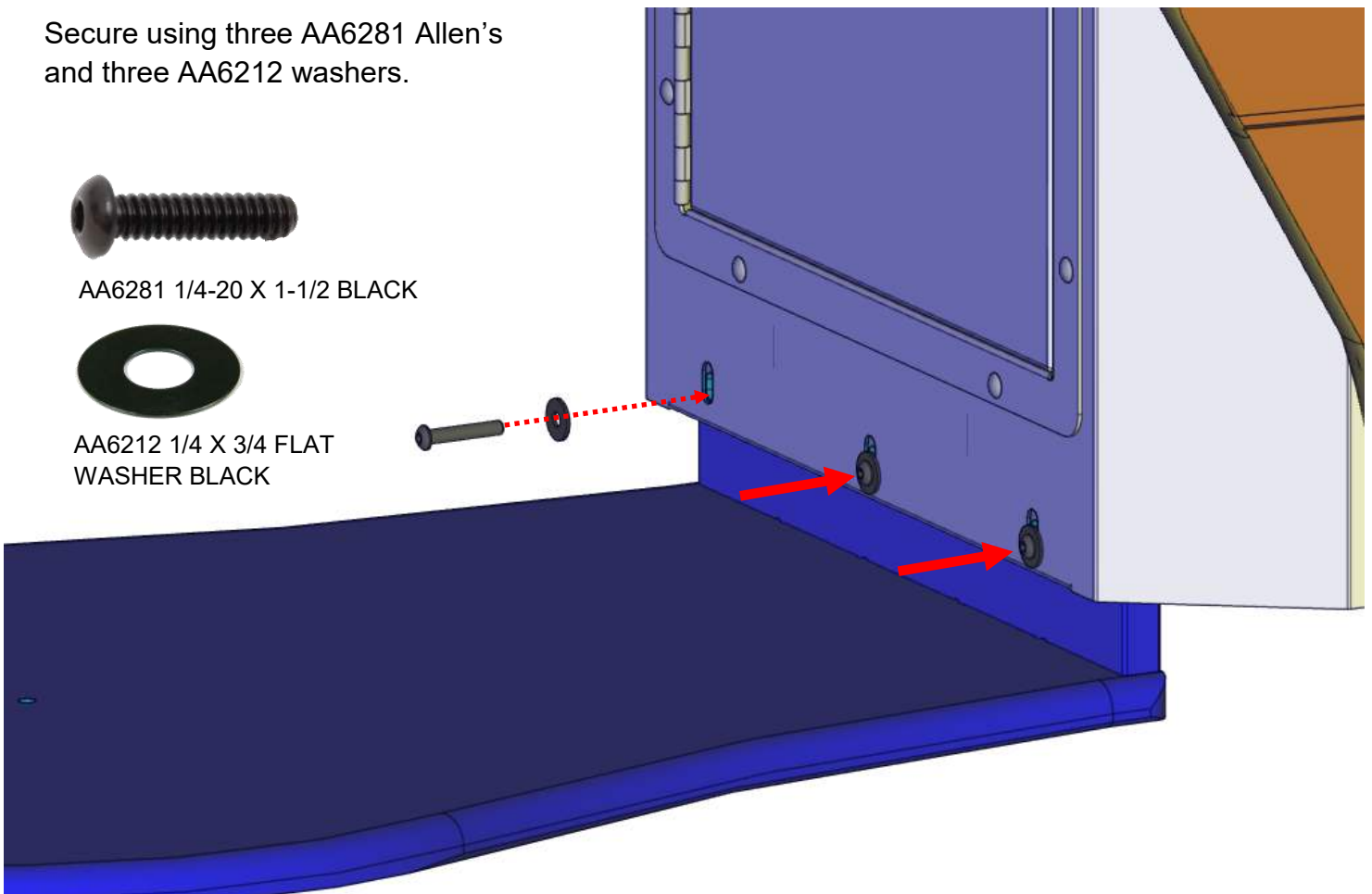
Secure using three AA6281 Allen's  
and three AA6212 washers.

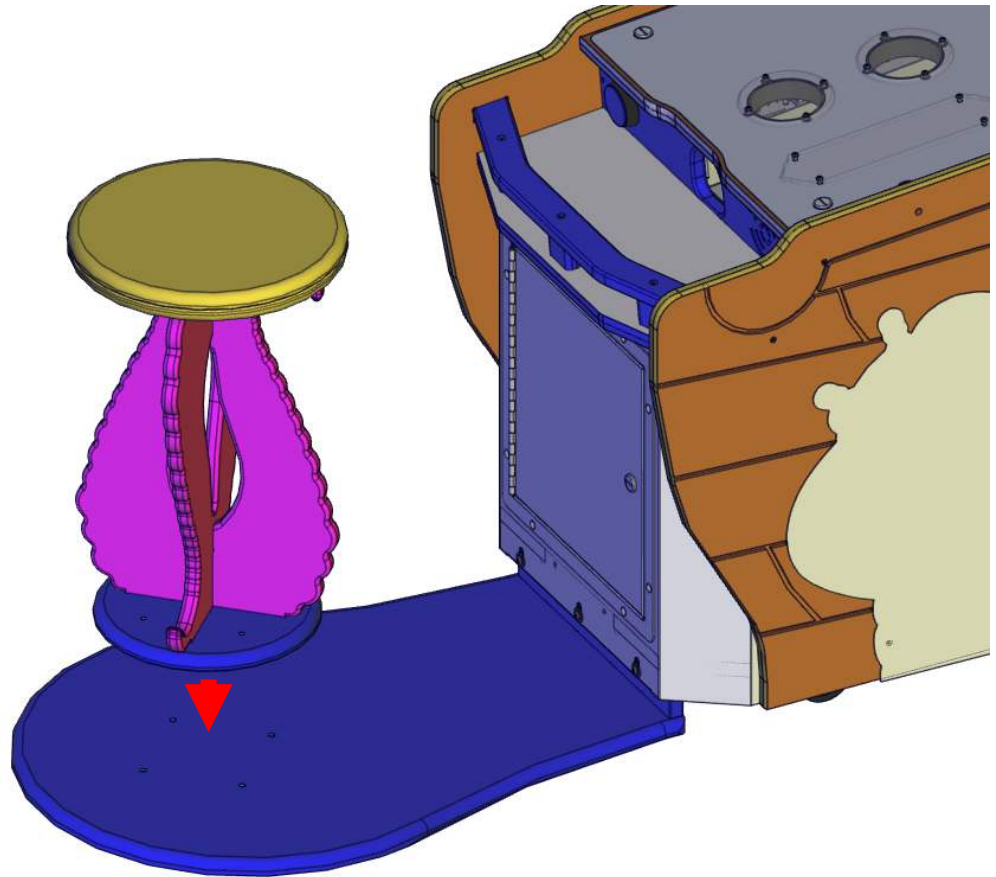


AA6281 1/4-20 X 1-1/2 BLACK



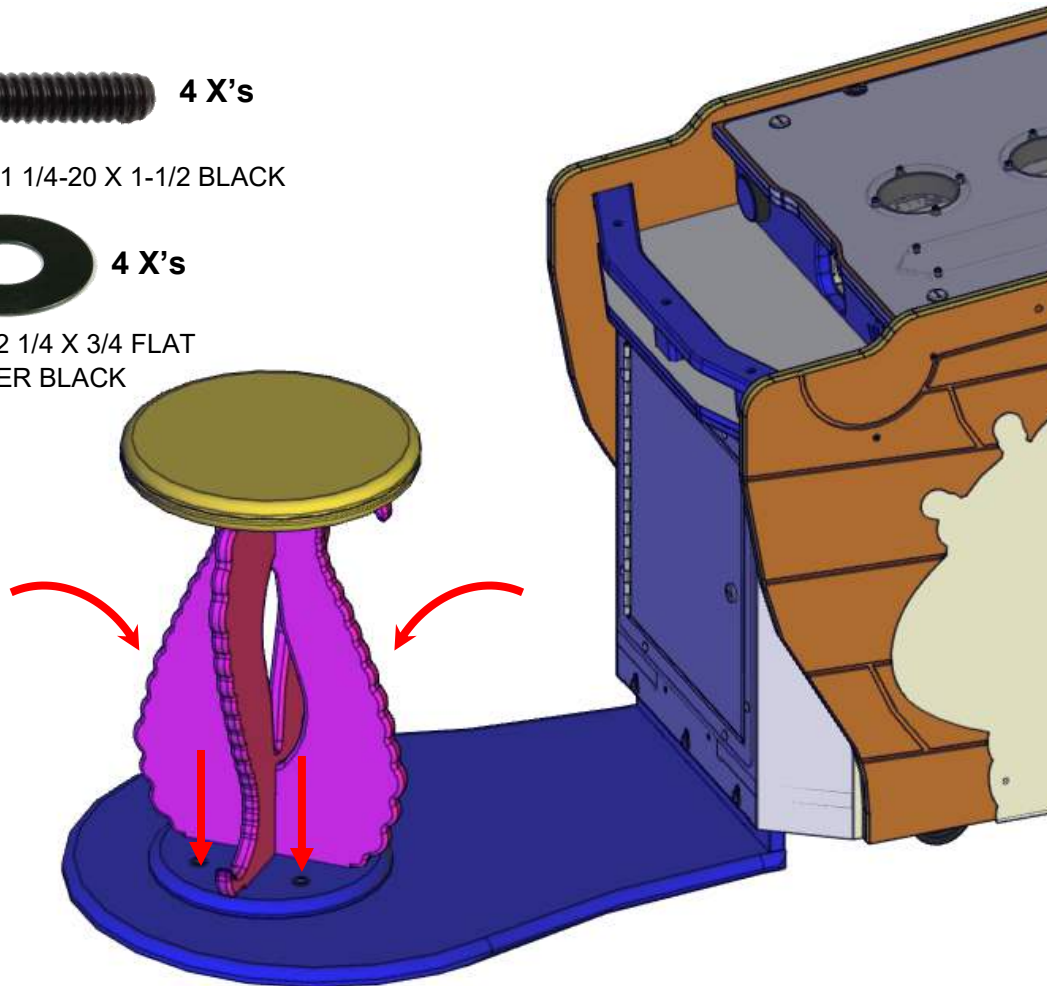
AA6212 1/4 X 3/4 FLAT  
WASHER BLACK





 **4 X's**  
AA6281 1/4-20 X 1-1/2 BLACK

 **4 X's**  
AA6212 1/4 X 3/4 FLAT  
WASHER BLACK





### 3 Player Cabinet Assembly Guide

Review the steps before you begin the assembly.

Verify you have the correct amount of hardware.

Please contact ICE Service if any parts are missing.



### Included with your game.

 **X's 90**  
AA6281 1/4-20 X 1-1/2 BLACK

 **X's 4**  
AA6074 M8 x 40MM Silver

 **X's 9**  
AA6177 8-32 X 1 Silver

 **X's 4**

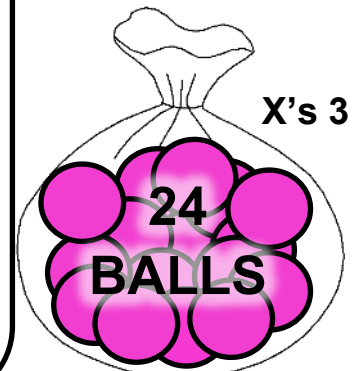
 **X's 6**  
AA6155 8-32 X 7/8 Silver

 **X's 9**  
8 X 7/16 FLAT WASHER

AA6067 (1/2 x .125  
Fender washer)

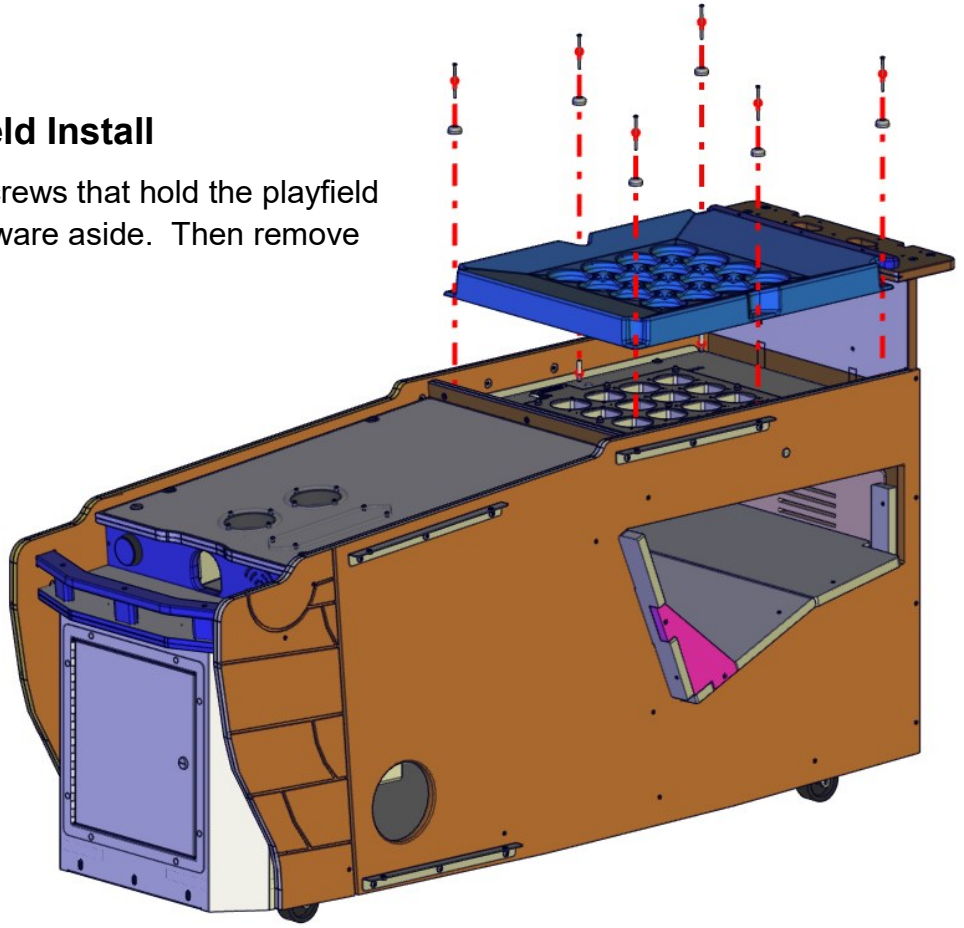
 **X's 80**  
AA6212 1/4 X 3/4 FLAT  
WASHER BLACK

Hardware Required

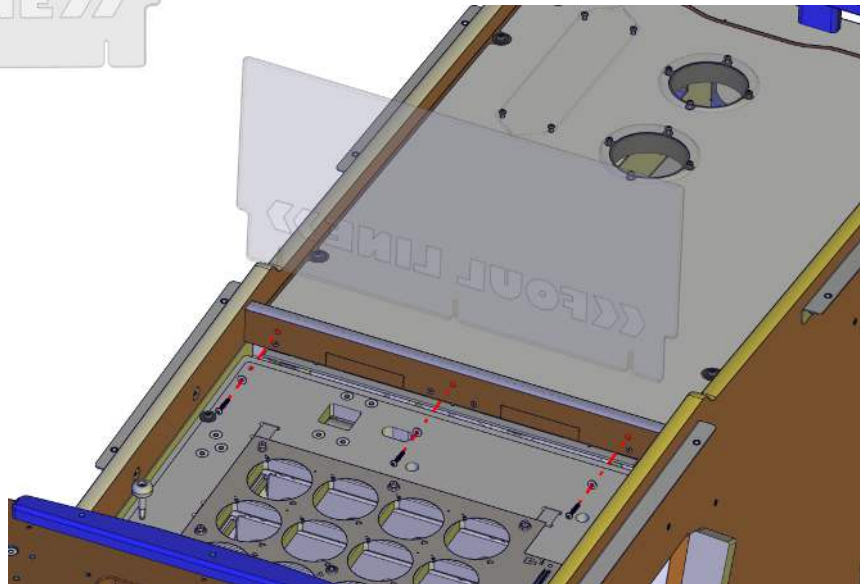
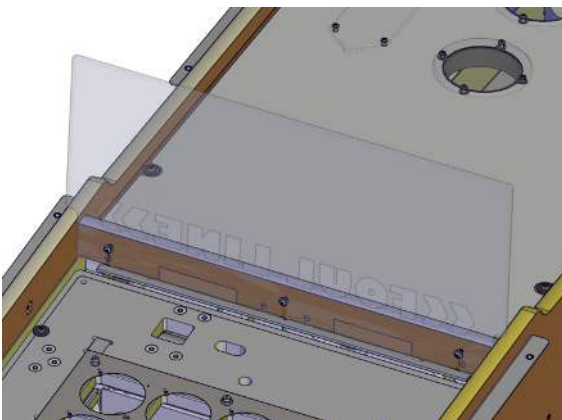


## Step 1: Playfield Foul Shield Install

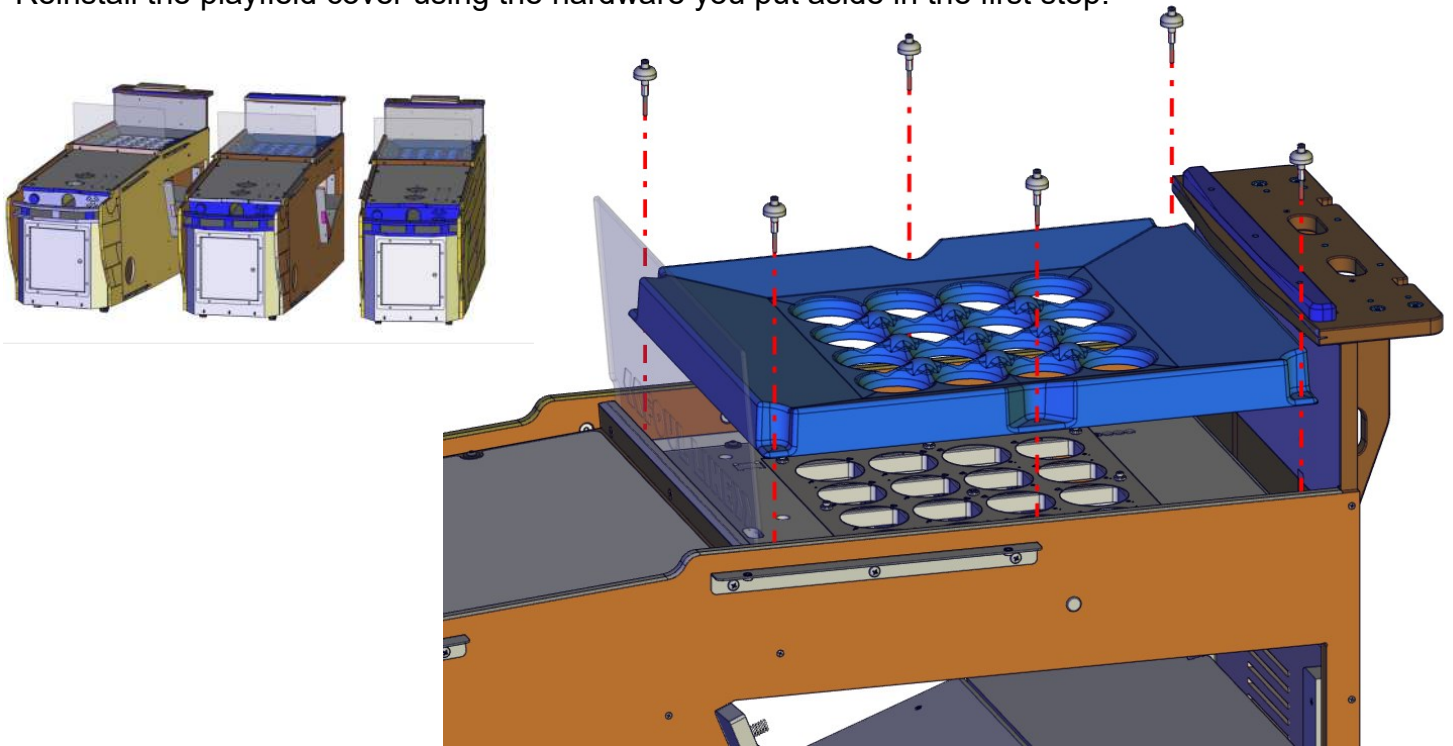
Remove the six AA6177 Allen screws that hold the playfield surface to the cabinet. Put hardware aside. Then remove the playfield cover.



Partly install three AA6177 Phillip screws and washers inside the playfield area at the front. Then slide the foul line shield into the screws and tighten.



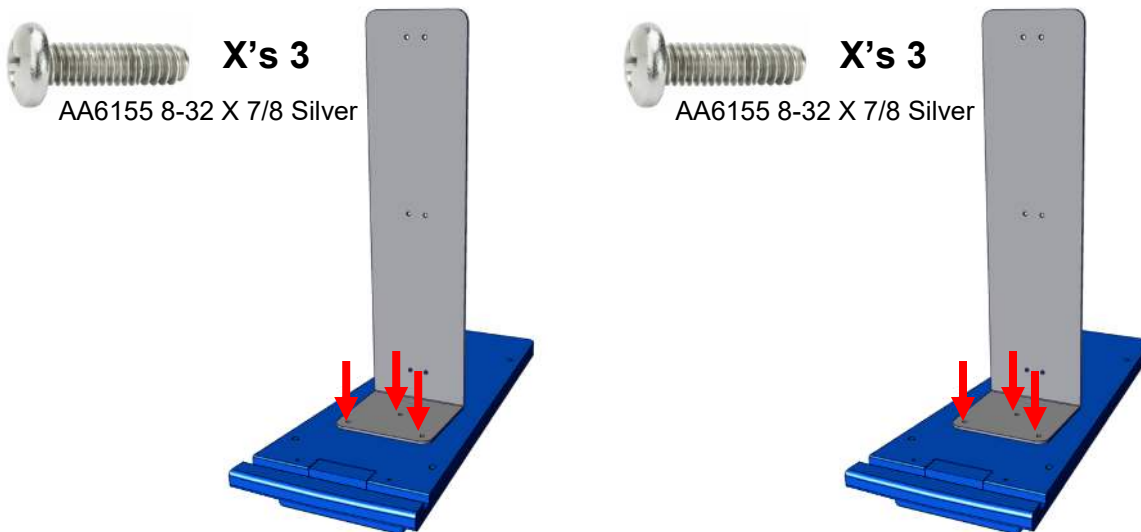
Reinstall the playfield cover using the hardware you put aside in the first step.



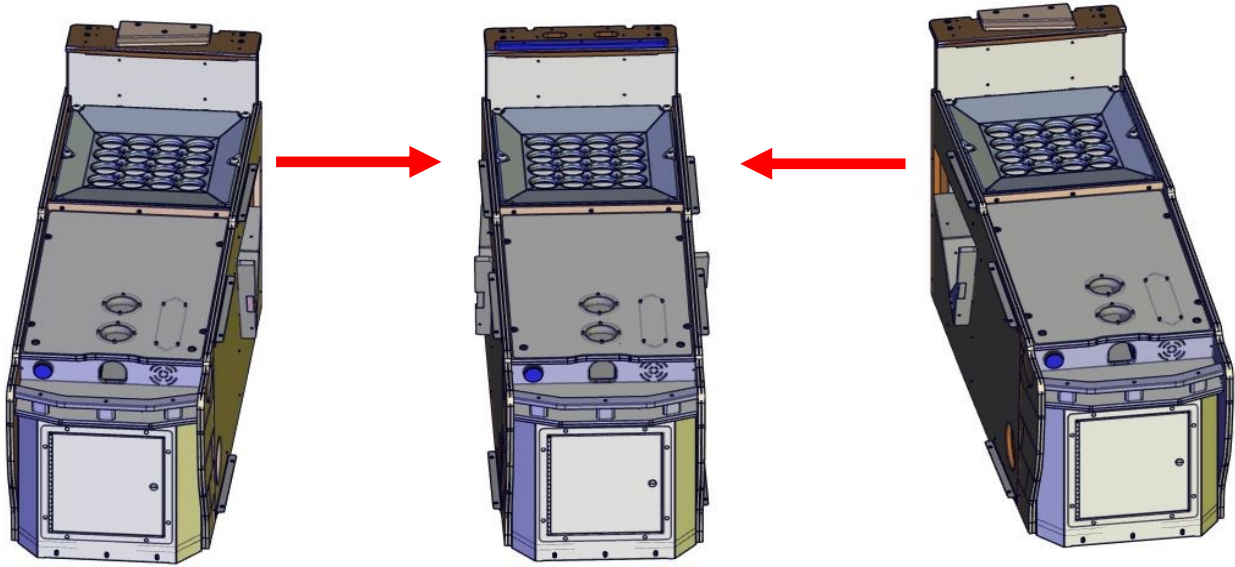
Repeat for each station before you proceed any further in assembly.

## Step 2: CABINET SETUP

Attach one WP3137 LED panel onto one WP3181 floor panel using three AA6155 silver screws. Repeat to make two of them.



Slide the three cabinet sections together. The middle section has brackets on both sides while the left and right sections have the brackets only on one side.



Secure each LED assembly using four AA6281 and four AA6212 for each cabinet side.



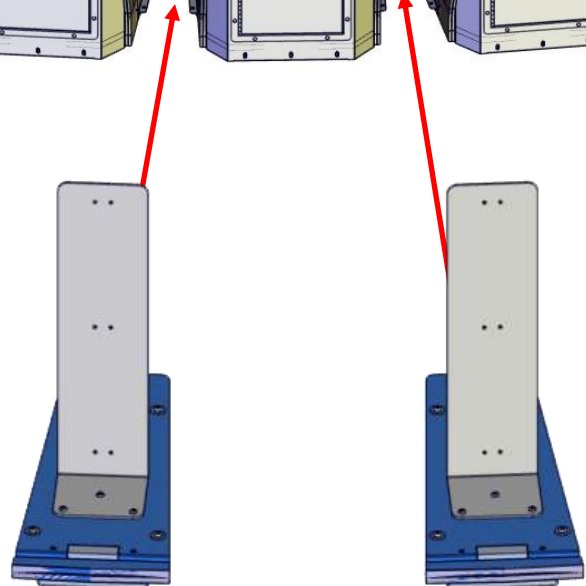
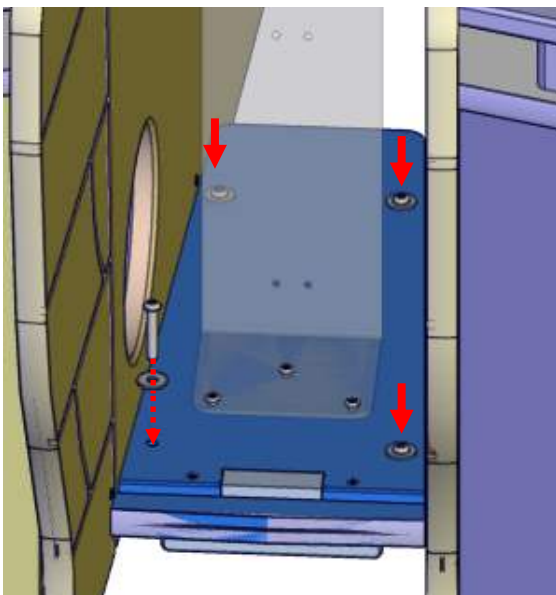
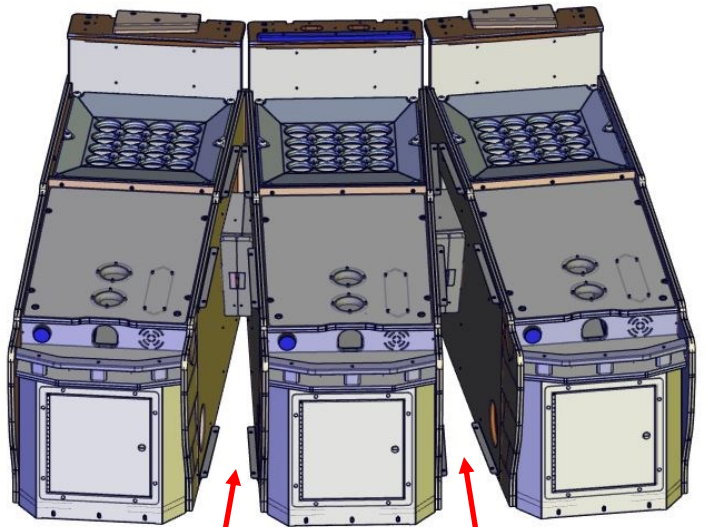
**X's 8**

AA6281 1/4-20 X 1-1/2 BLACK



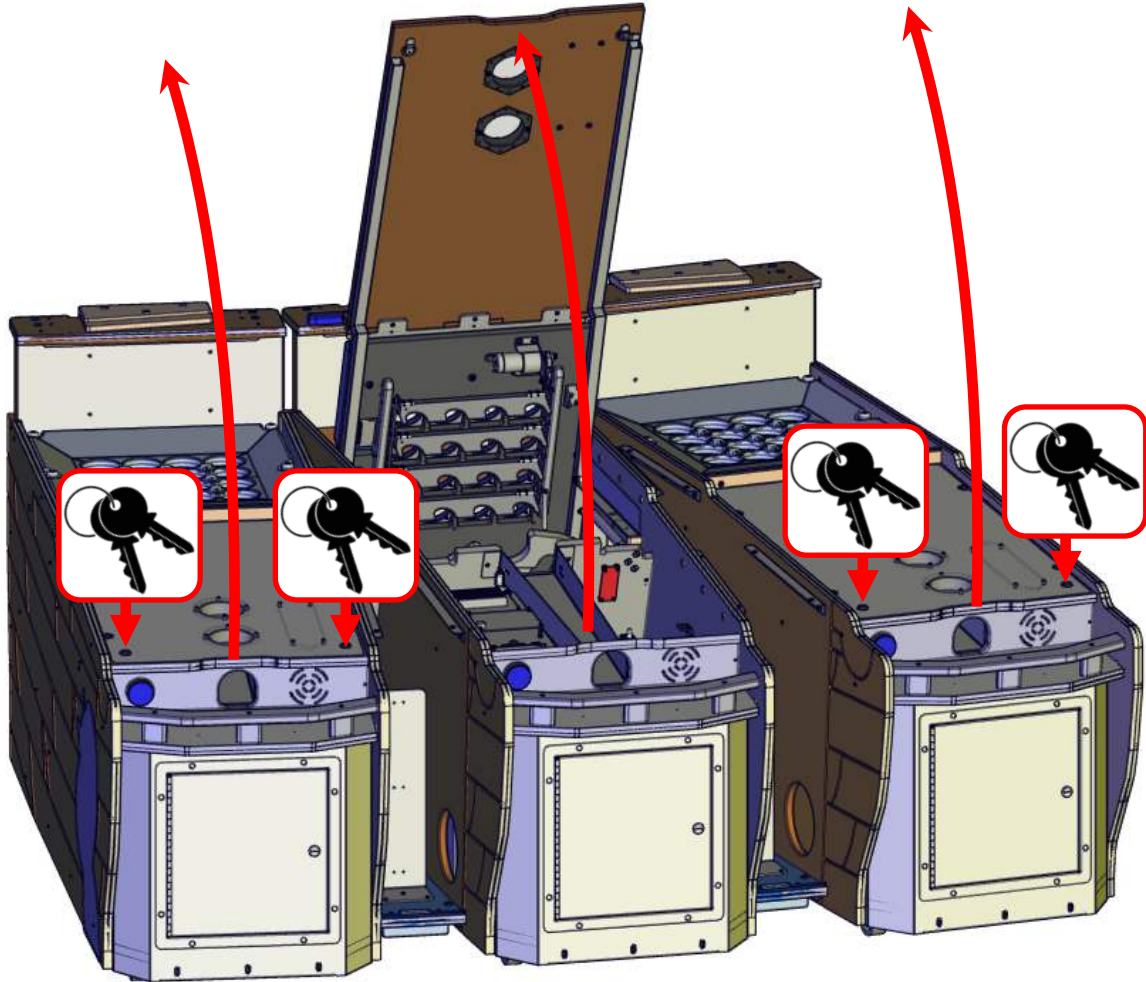
**X's 8**

AA6212 1/4 X 3/4 FLAT WASHER BLACK

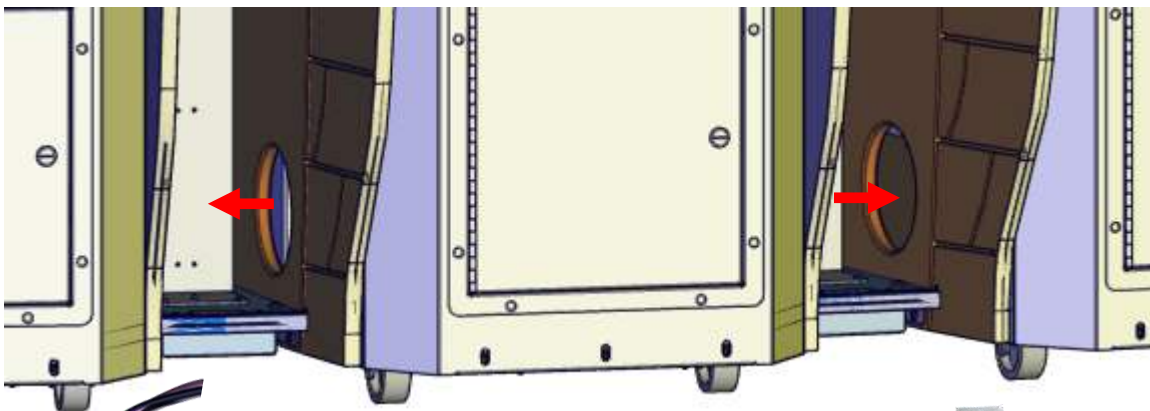


### Step 3: CABINET HARNESSSES

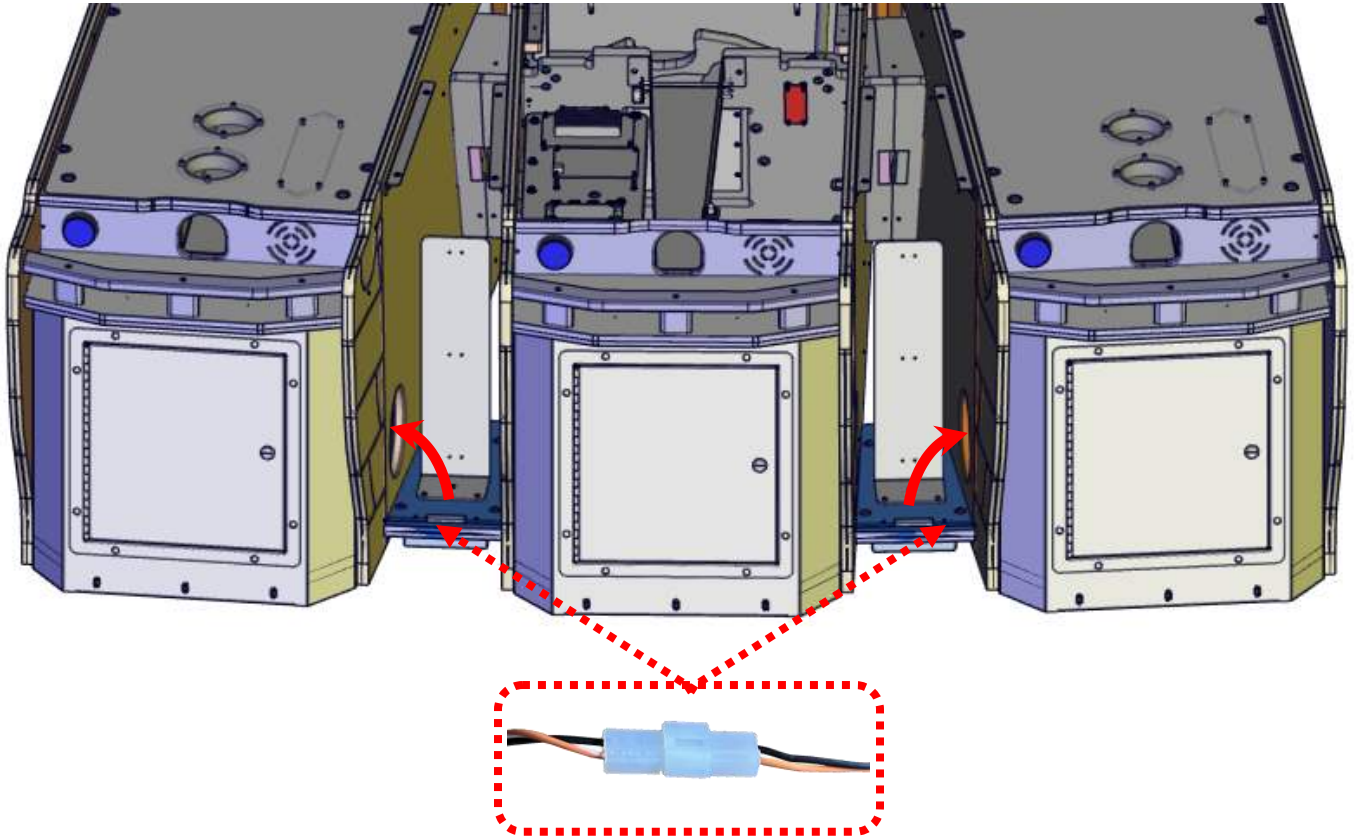
Open all three stations by unlocking both sides of the playfield and lift up.



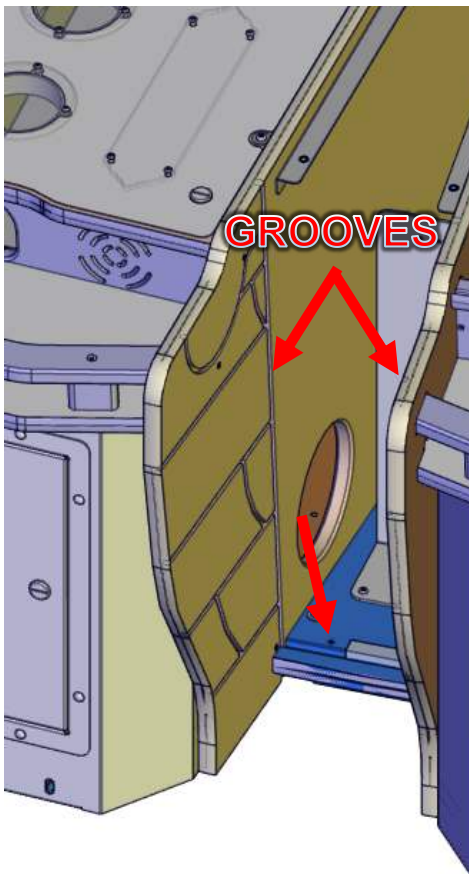
In the middle cabinet are both left and right station harnesses that need to be connected to the left and right stations. A access hole at the front allows you to insert the harnesses into the respective sides.



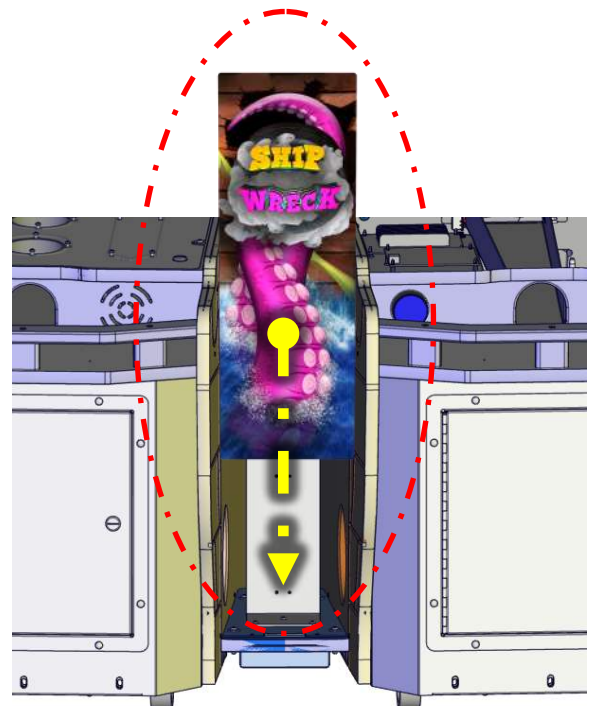
Plug in the LED power plug at both sides. Connections are located at the left and right stations.

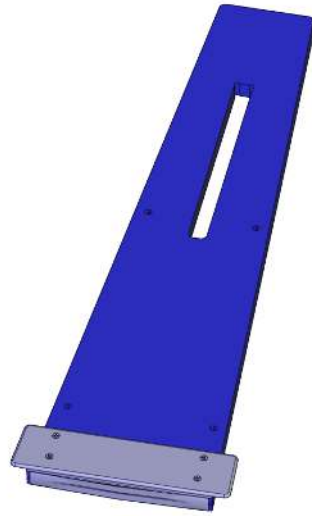
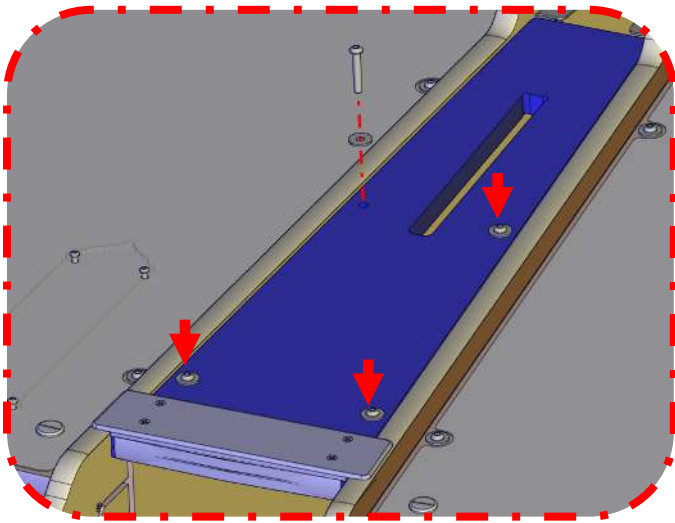


#### Step 4: FRONT CABINET TRIM



On both sides insert the front covers by inserting them into the grooves at the sides and bottom.





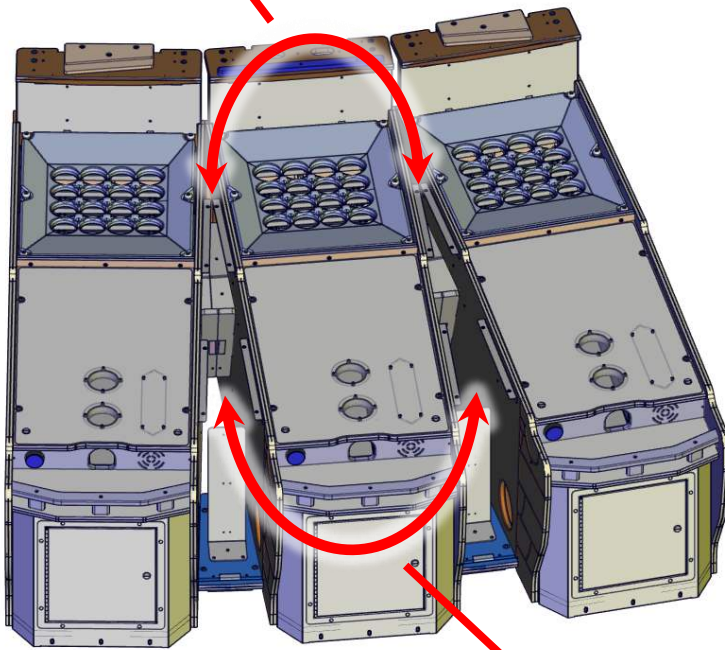
**X's 8**

AA6281 1/4-20 X 1-1/2 BLACK



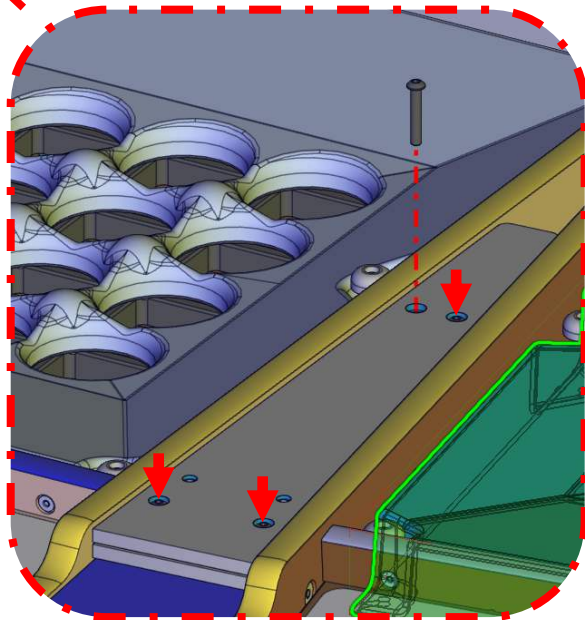
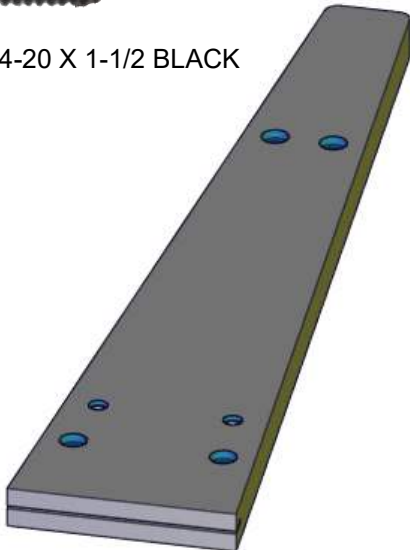
**X's 8**

AA6212 1/4 X 3/4 FLAT  
WASHER BLACK



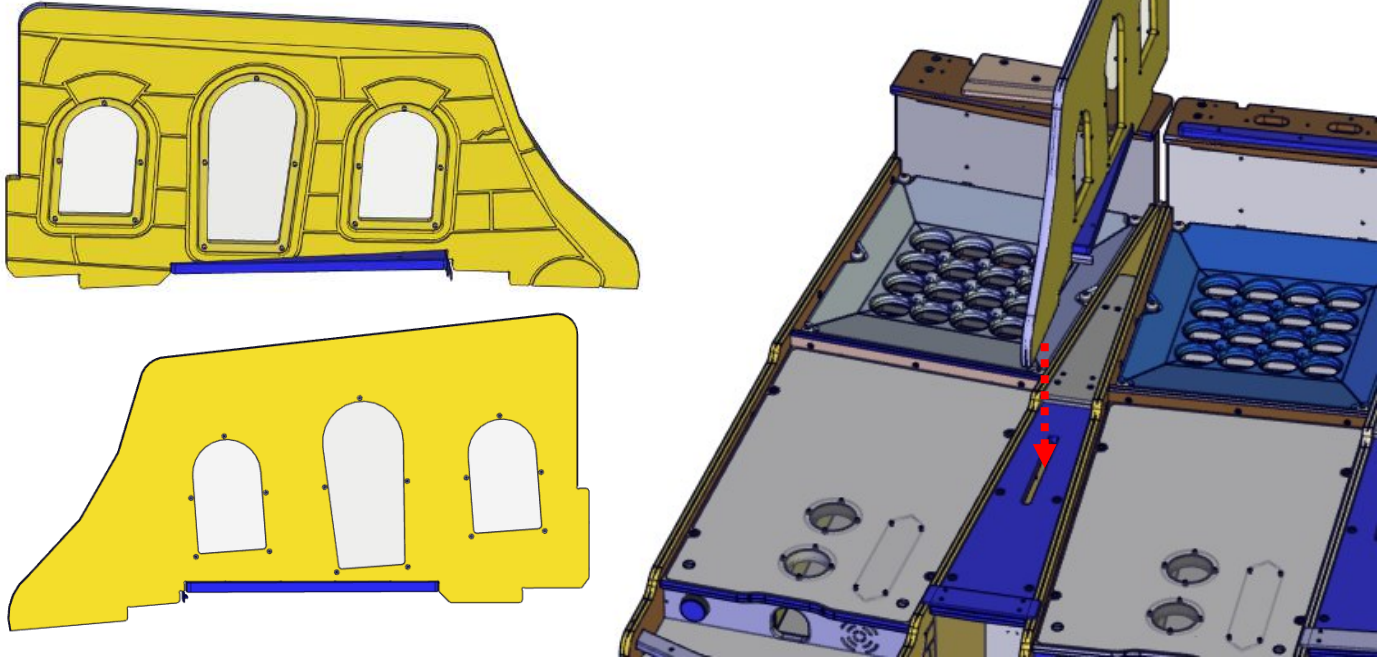
**X's 8**

AA6281 1/4-20 X 1-1/2 BLACK



## Step 5: PLAYER PARTITIONS

Partitions have only one side finished which face outward when installed. Insert the front of the partition into the cabinet slot.

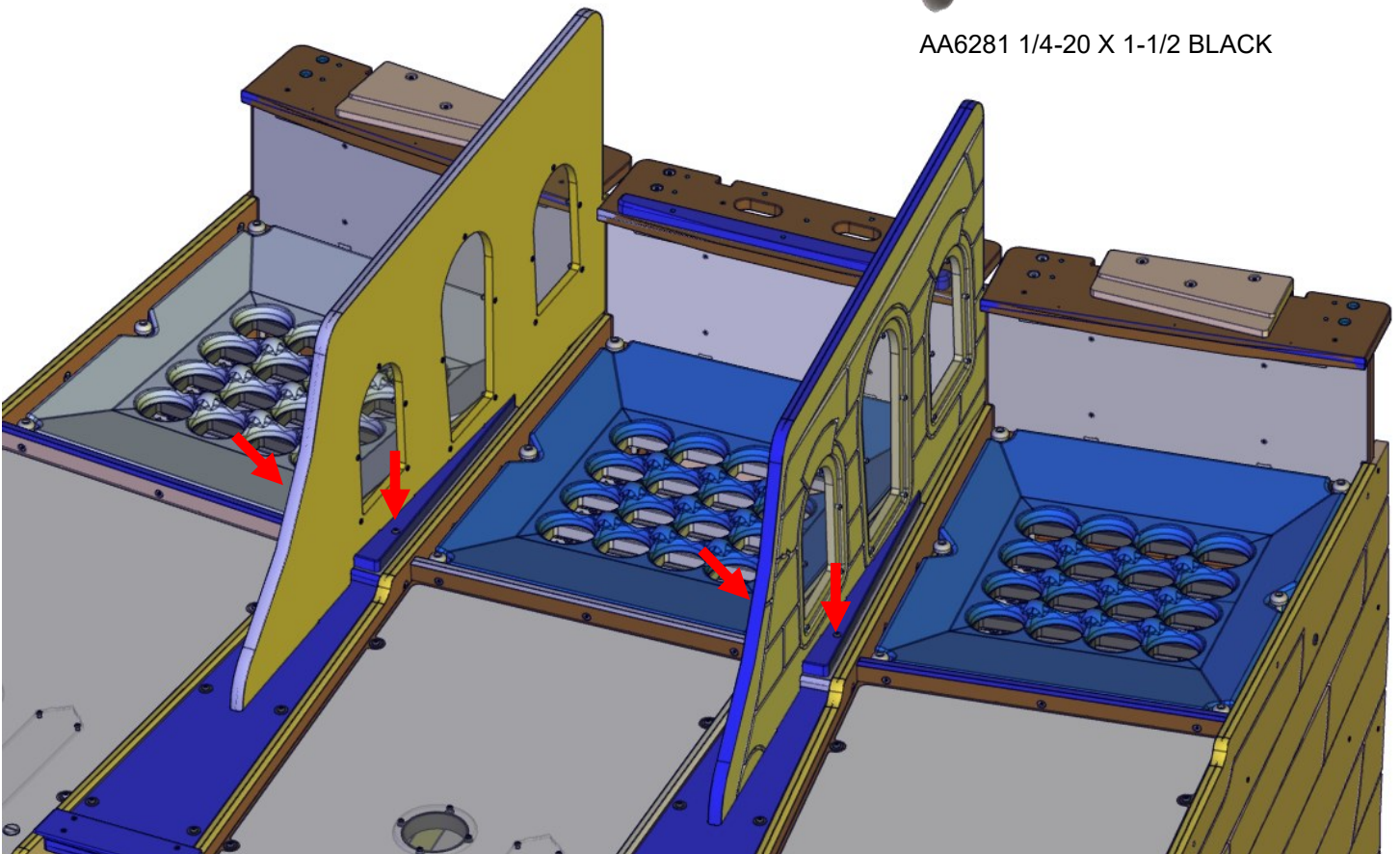


Secure the partitions at the front, two per partition.



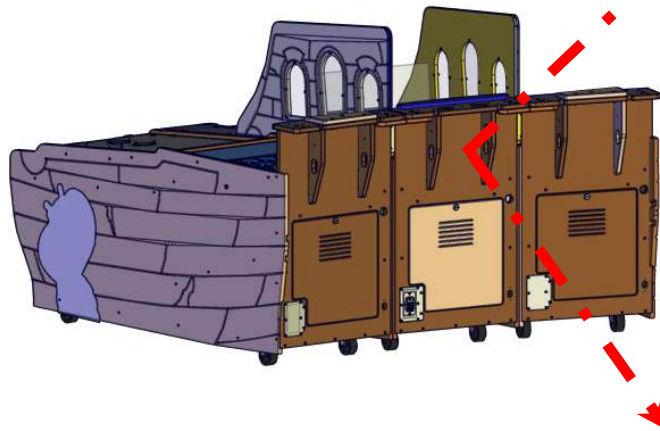
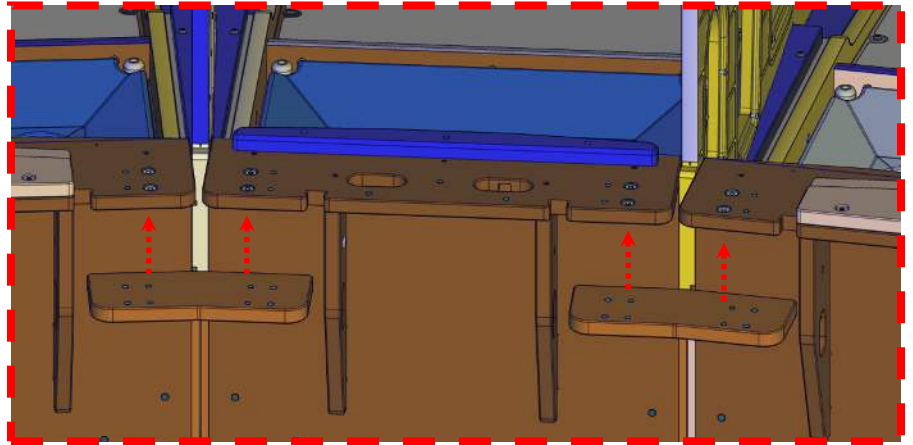
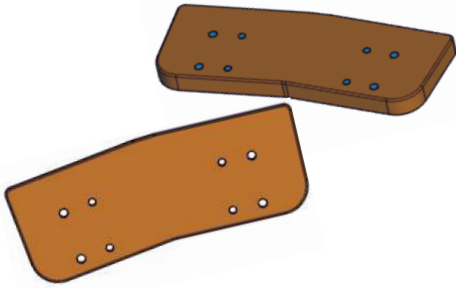
**X's 4**

AA6281 1/4-20 X 1-1/2 BLACK





## Step 6: BACK CABINET CONNECTORS



At the back of the game attach the wood cabinet connectors using four AA6281 Allen's and AA6212 washers.



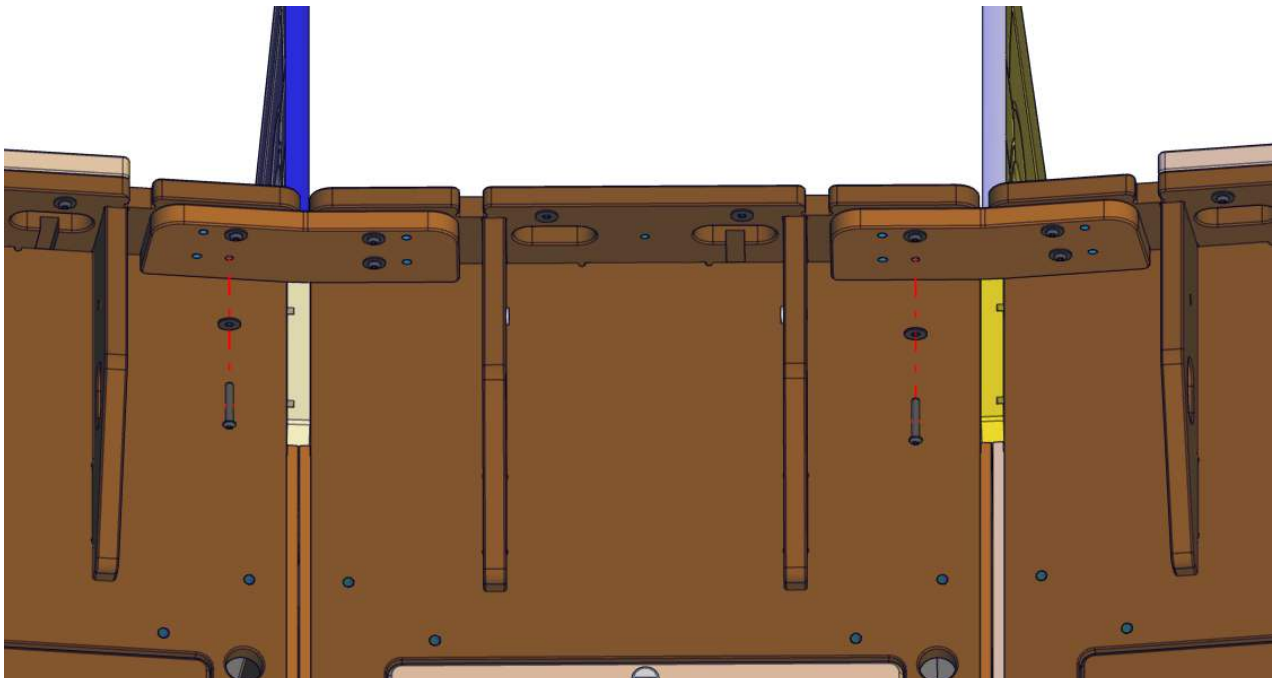
**X's 8**

AA6281 1/4-20 X 1-1/2 BLACK



**X's 8**

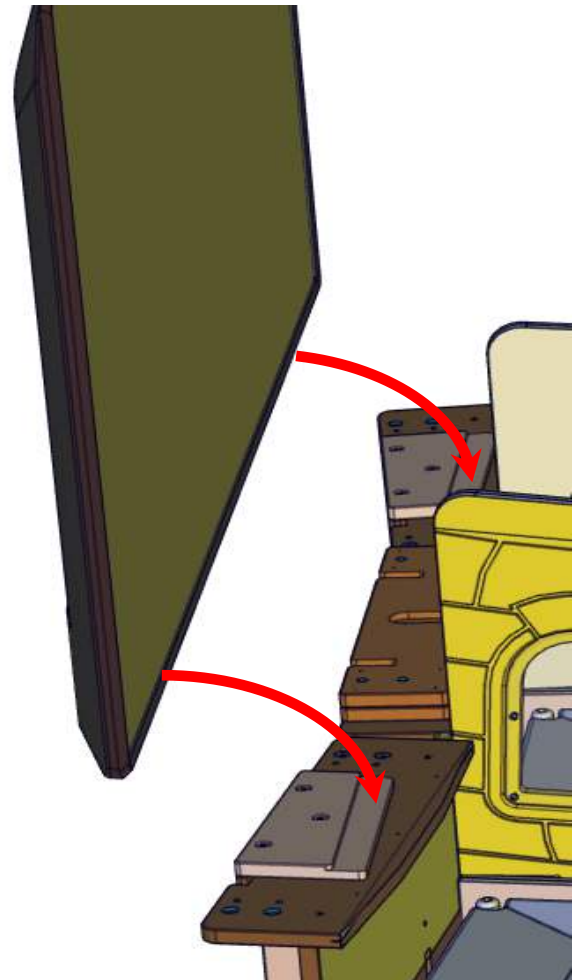
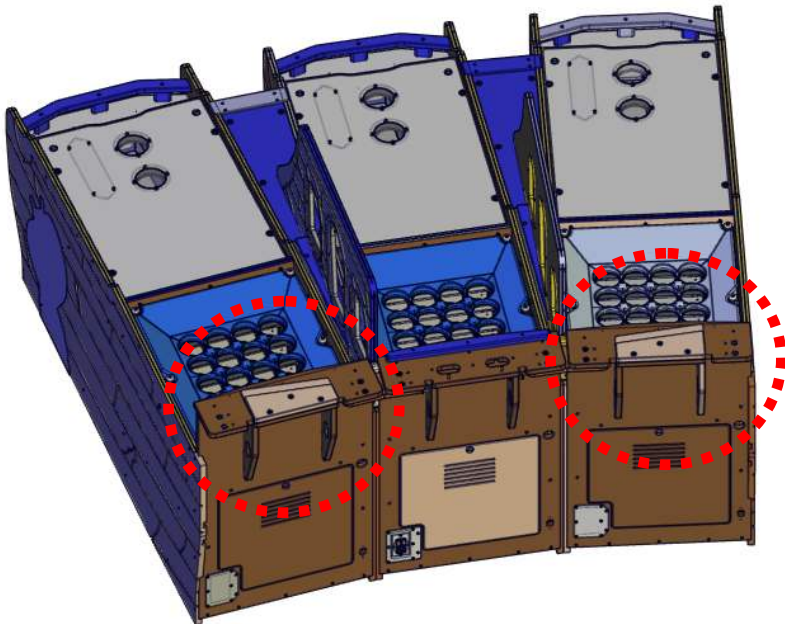
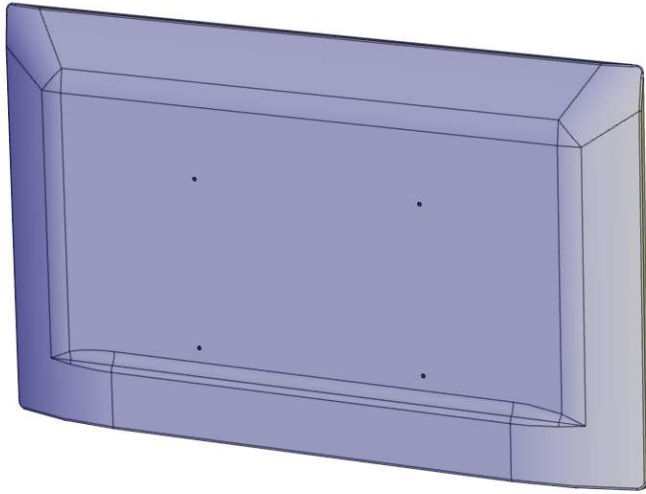
AA6212 1/4 X 3/4 FLAT WASHER BLACK



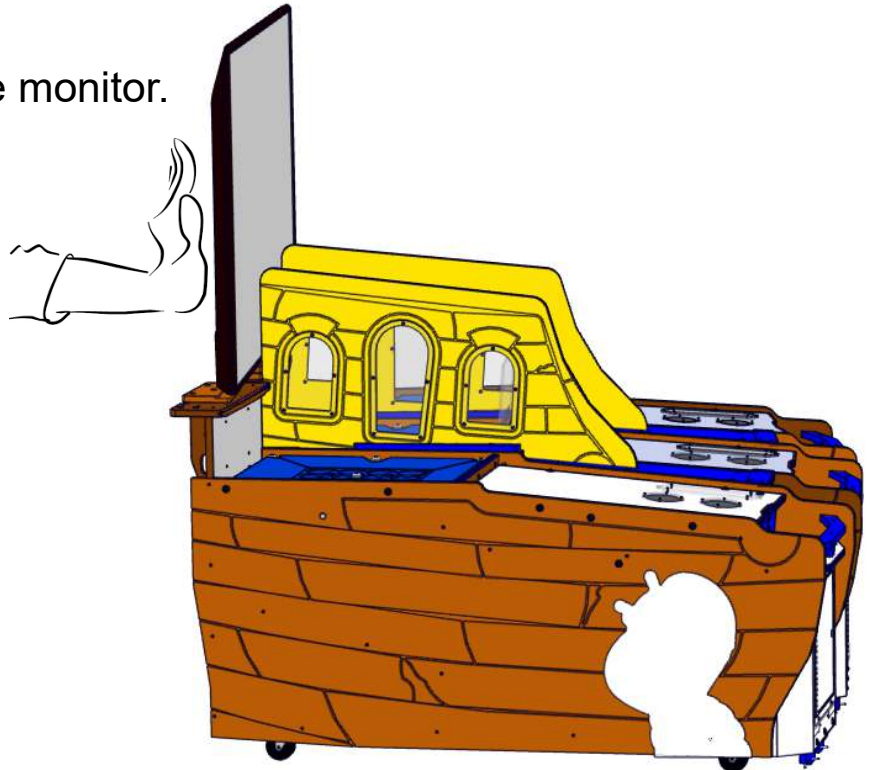
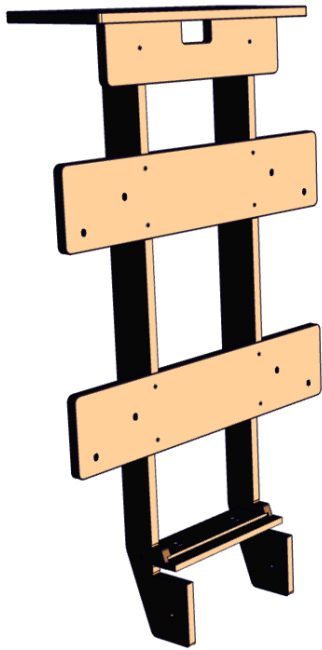
# Step 7: Monitor Install



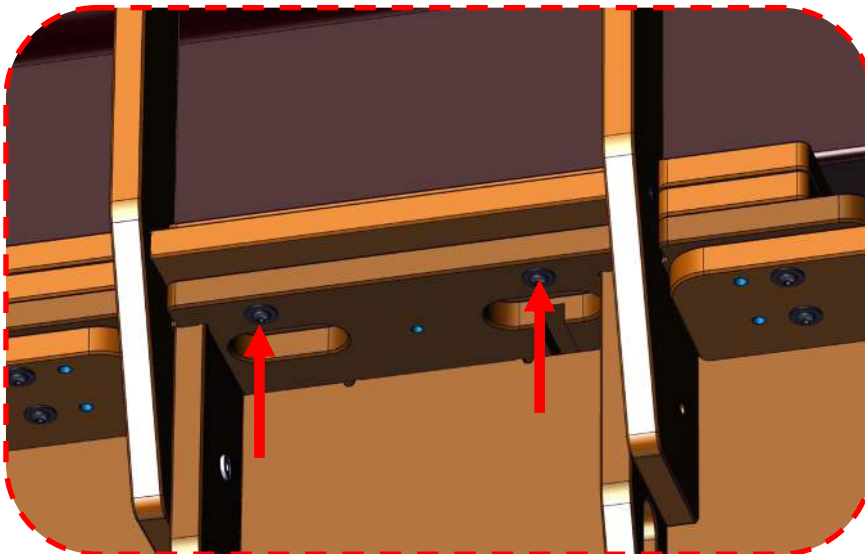
2 people are required for this step!



Have your helper stabilize the monitor.



Lift middle monitor support onto the back side of the cabinet.  
Secure using two AA6281 Allen's and AA6212 washers from the bottom.



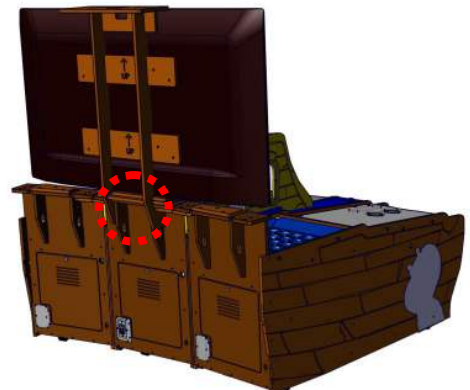
**X's 2**

AA6281 1/4-20 X 1-1/2 BLACK

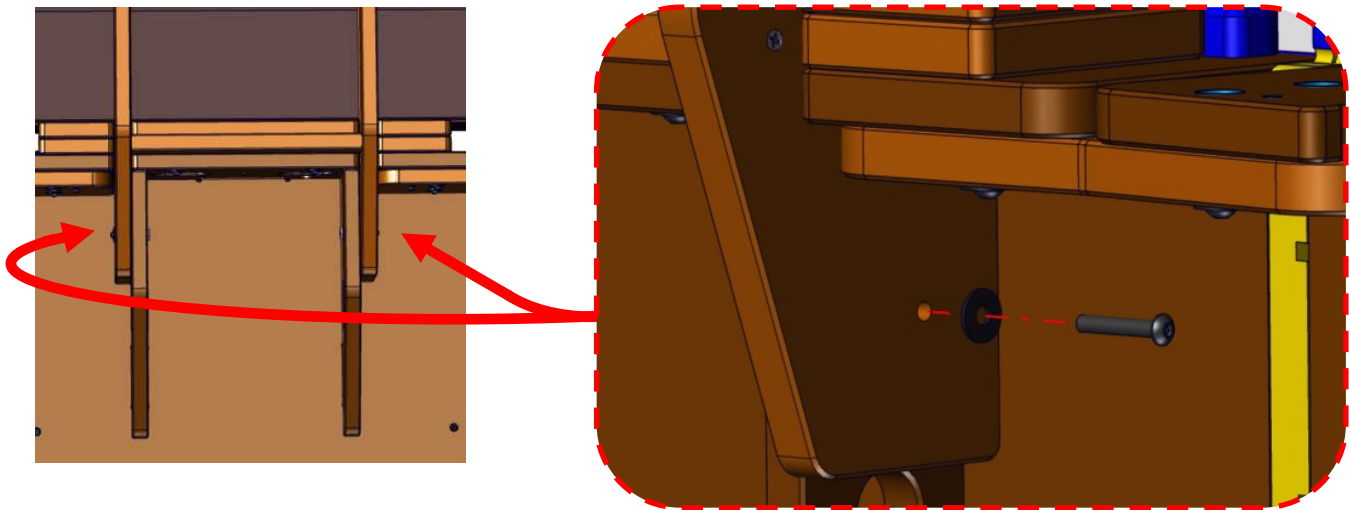


**X's 2**

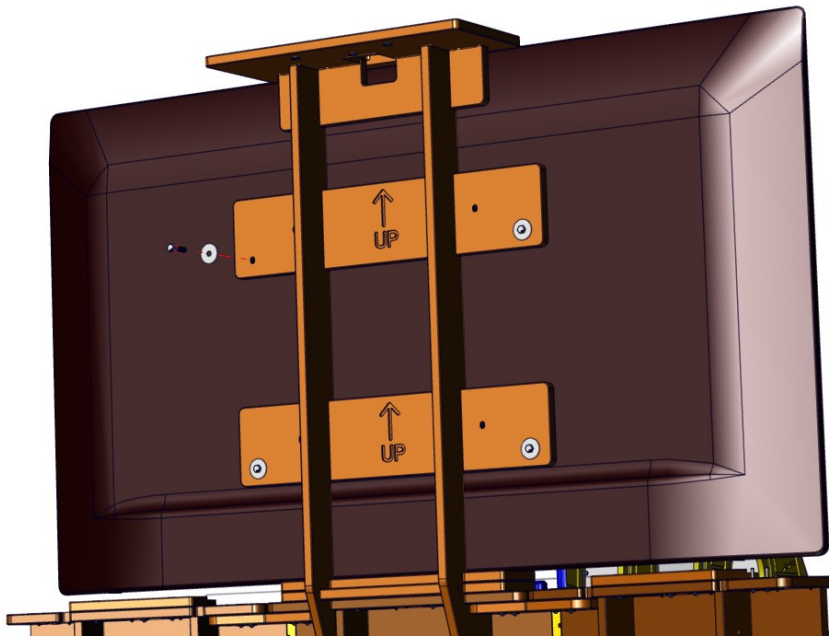
AA6212 1/4 X 3/4 FLAT  
WASHER BLACK



Additionally secure at the sides using two AA6281 Allen's and AA6212 washers.



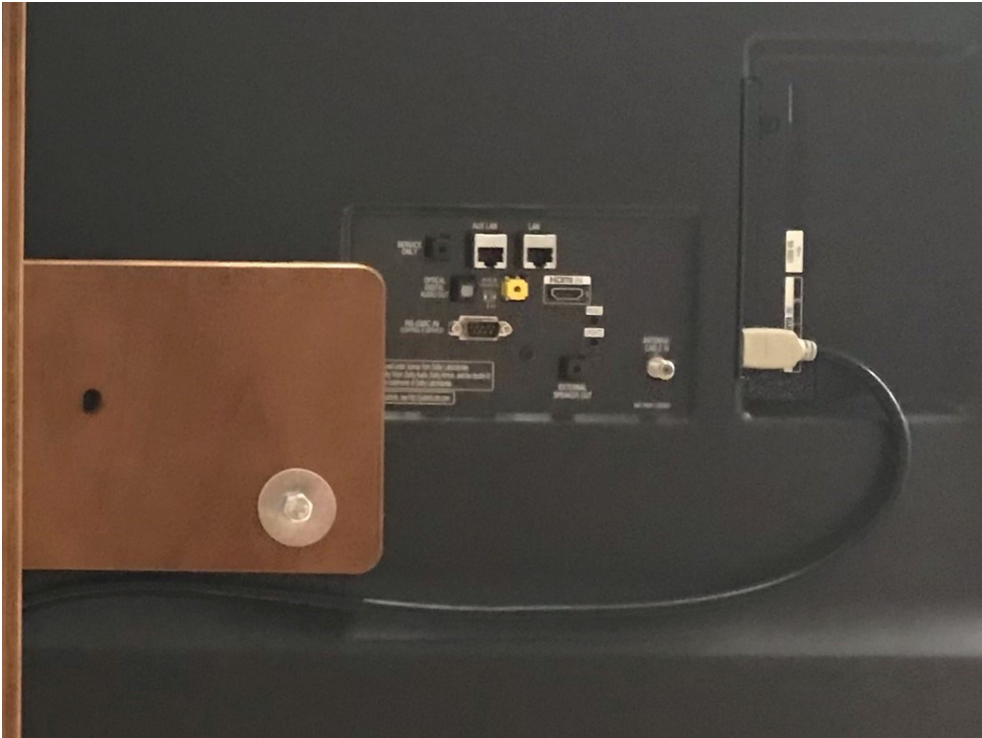
Secure the monitor using four AA6074 shoulder bolts and four AA6067 fender washers.

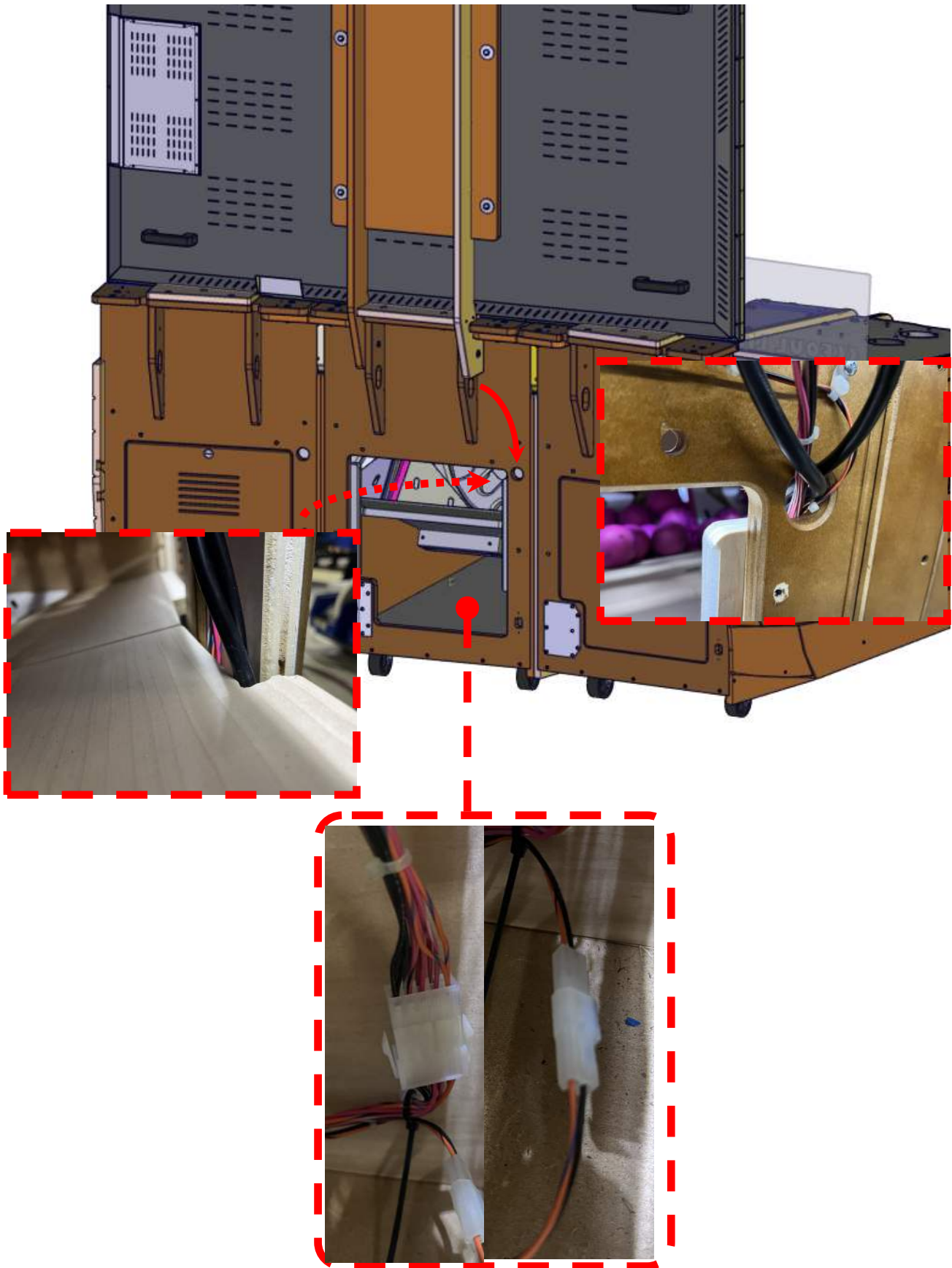


The center cabinet will have the AC connection and video connection wound at the back.

Connect the AC harness to the left of the monitor mount.

Connect the HDMI cable to the right of the monitor mount.

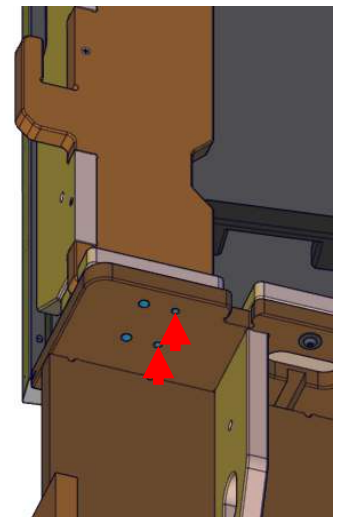
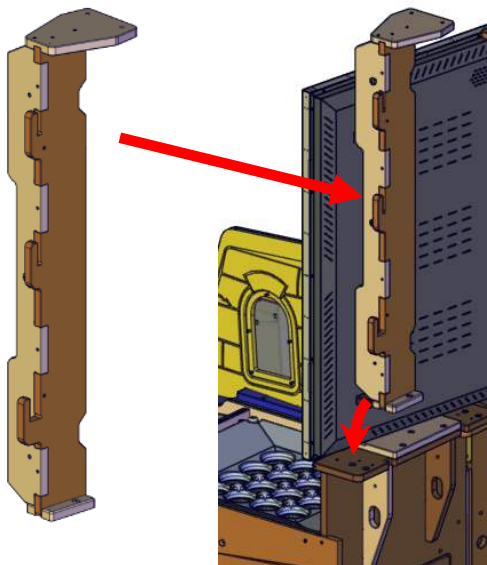
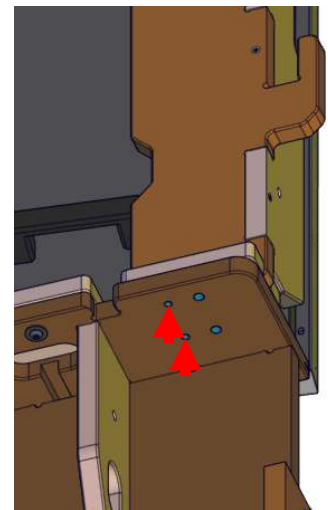
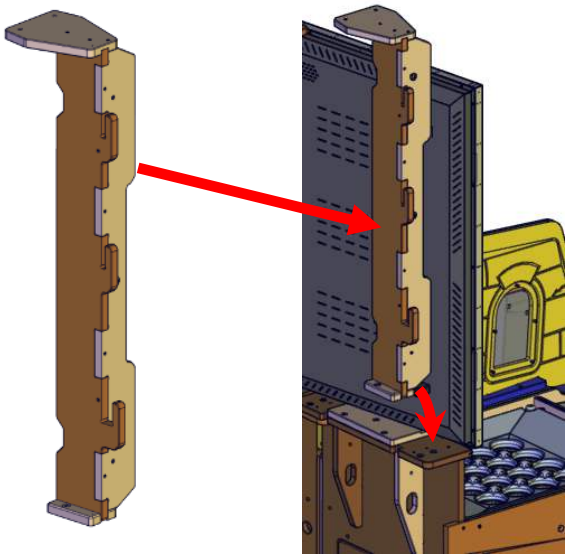
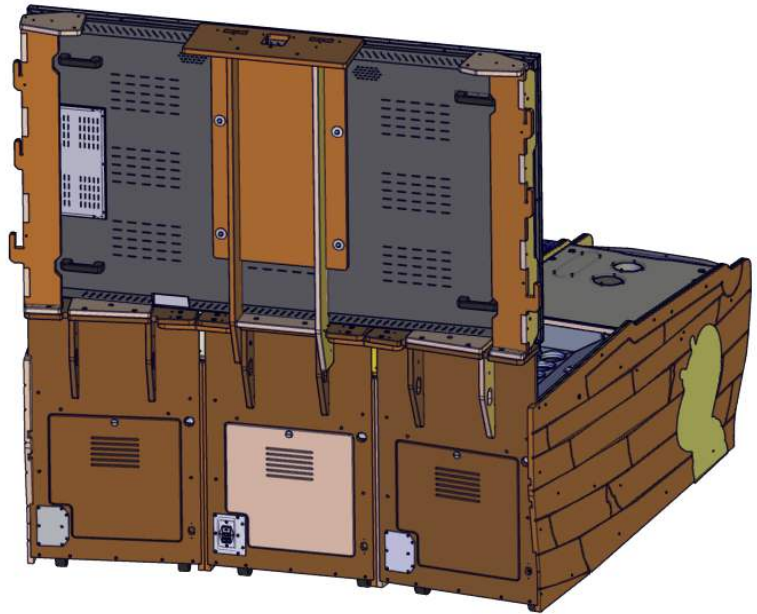




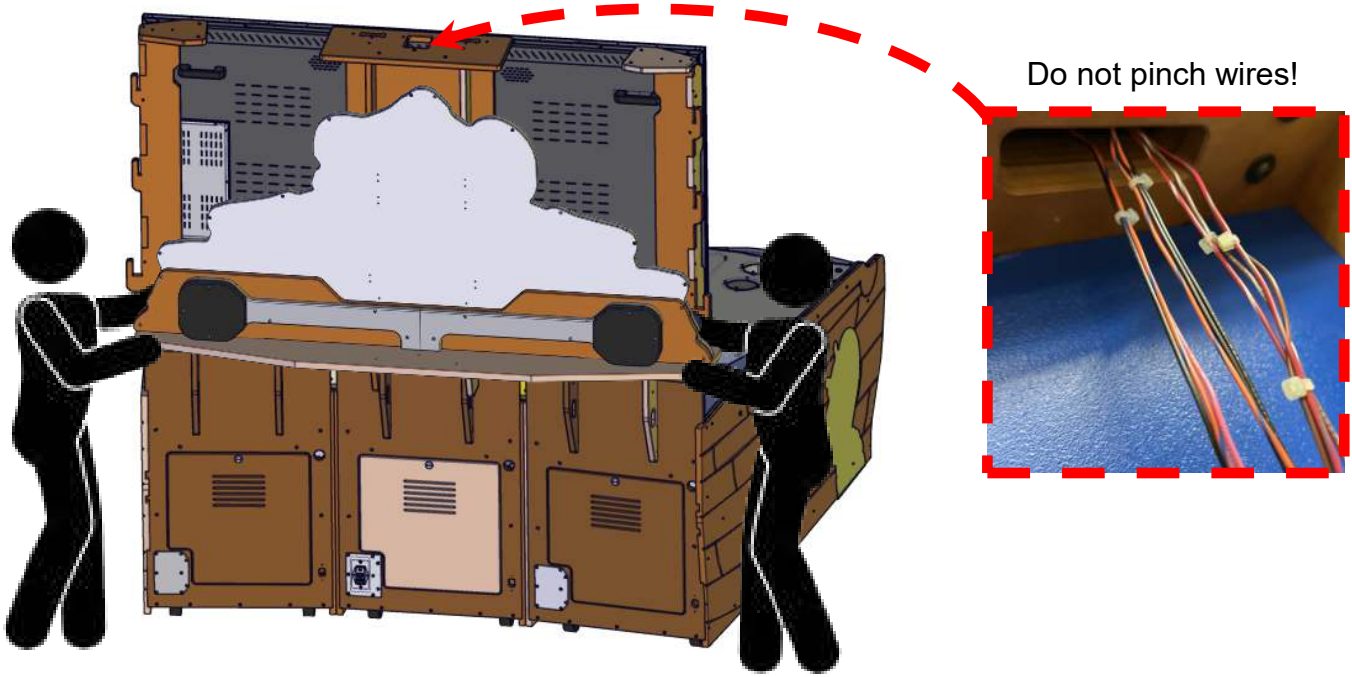
Connect the mating harnesses located at the base of the cabinet.

## Step 8: Marquee Install

Install the left and right supports for the upper marquee assembly. Install two AA6281 Allen's and AA6212 washers from underneath at each side.

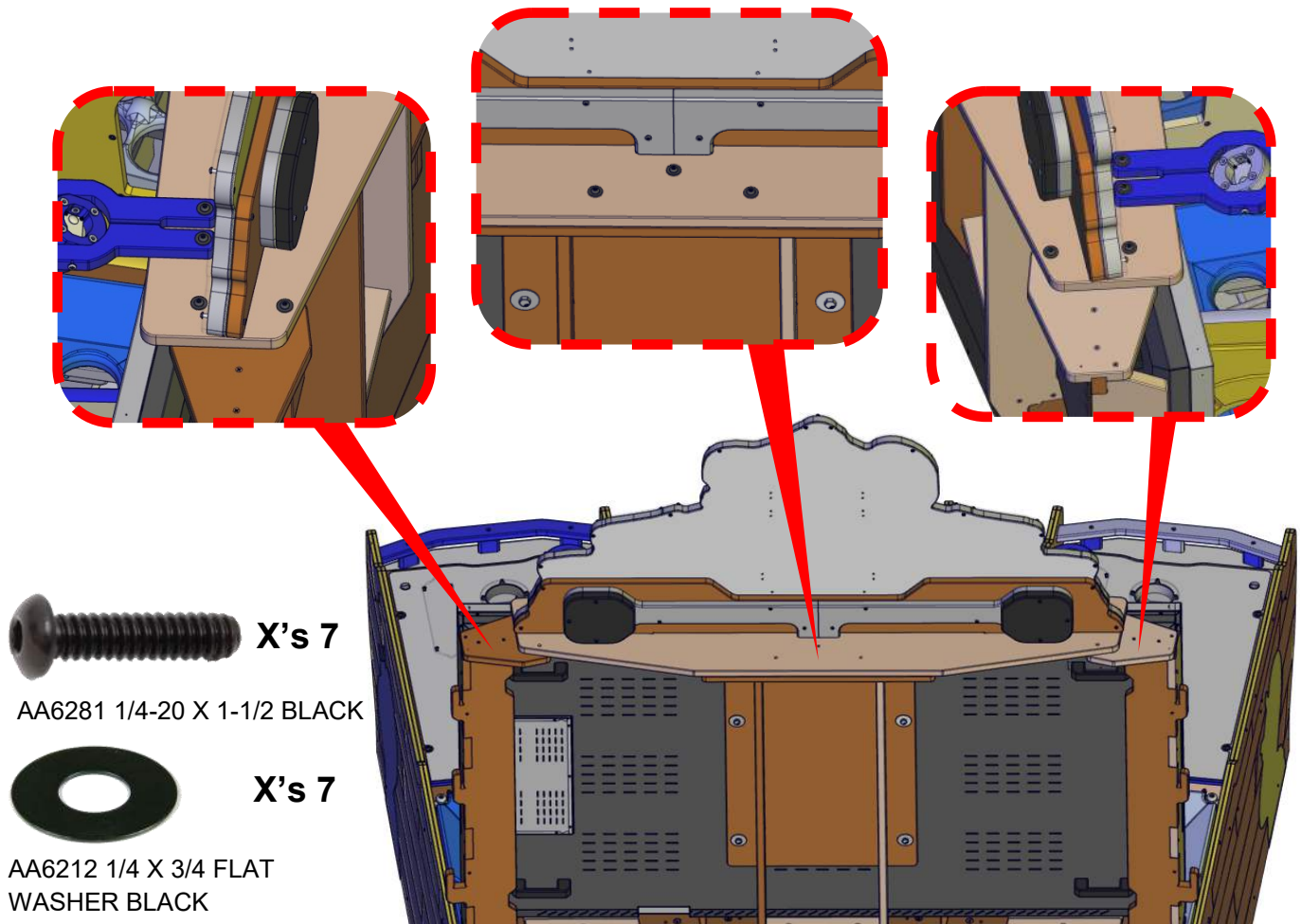


With a helper, lift the marquee up and onto the top of the monitor. Insert wires at the top.



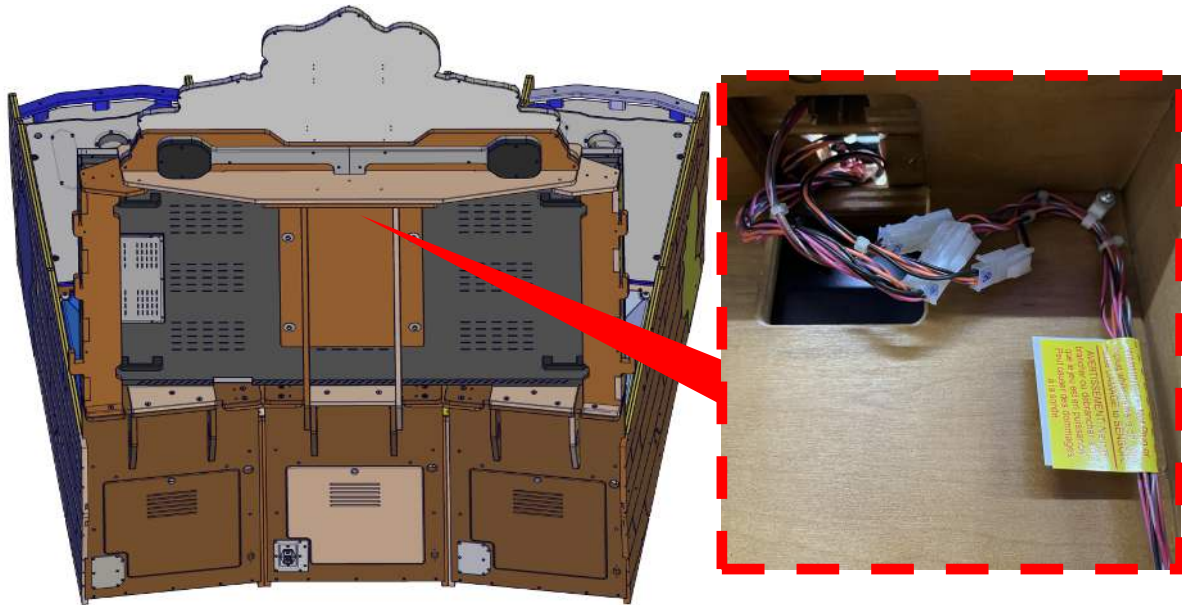
Secure the marquee using two AA6281 Allen's and AA6212 washers at each side.

Use three AA6281 Allen's and AA6212 washers at the center.





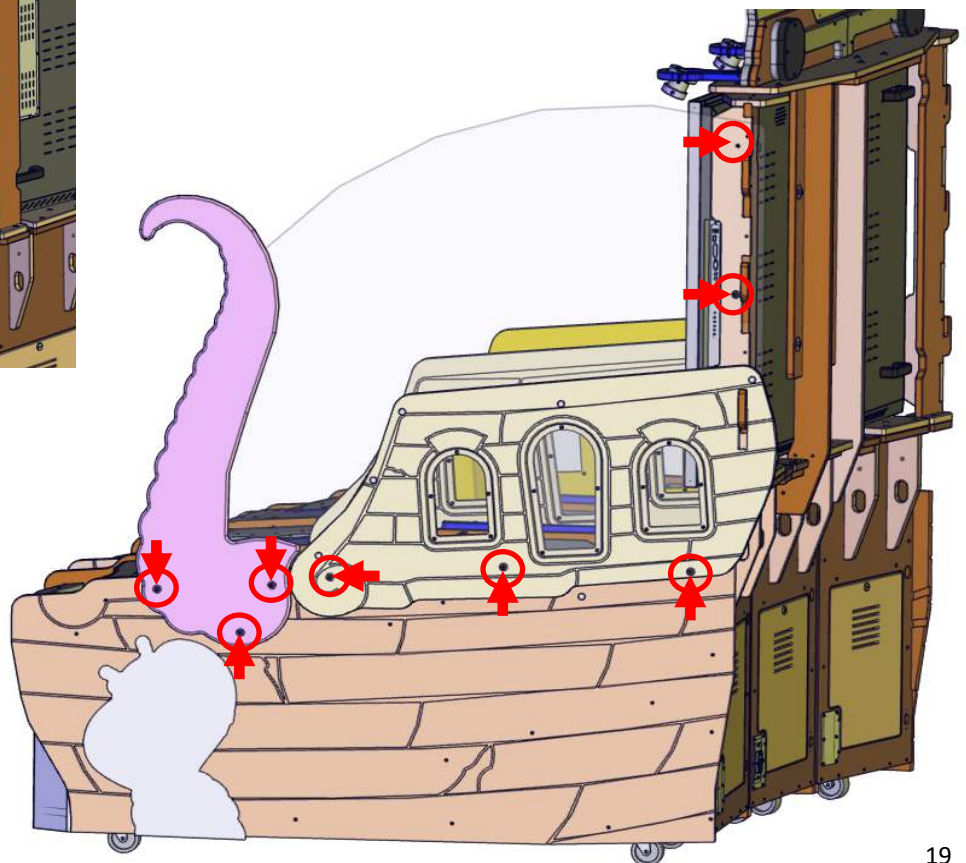
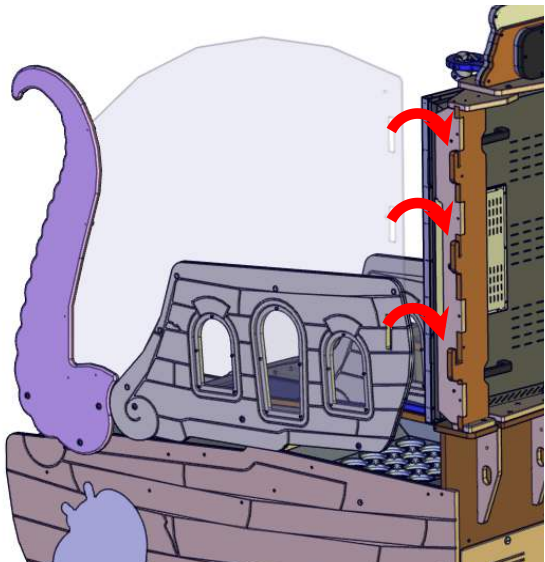
Plug in the harnesses from the marquee.



### Step 9: Side Walls Install

Lift the side panel up onto the hooks in back.

Secure using seven AA6281 Allen's and AA6212 washers.



**X's 8**

AA6281 1/4-20 X 1-1/2 BLACK

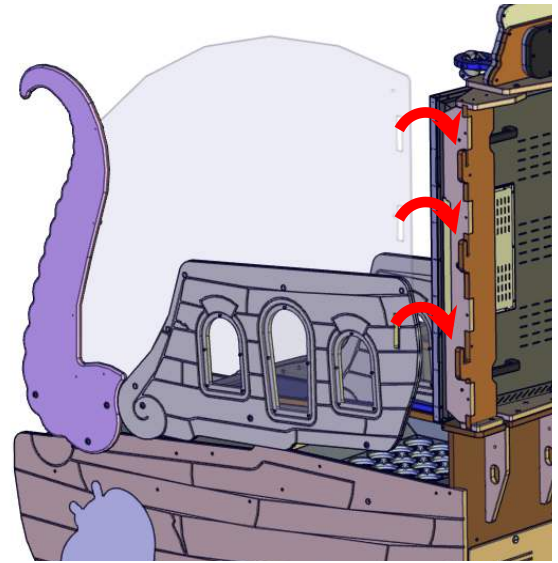
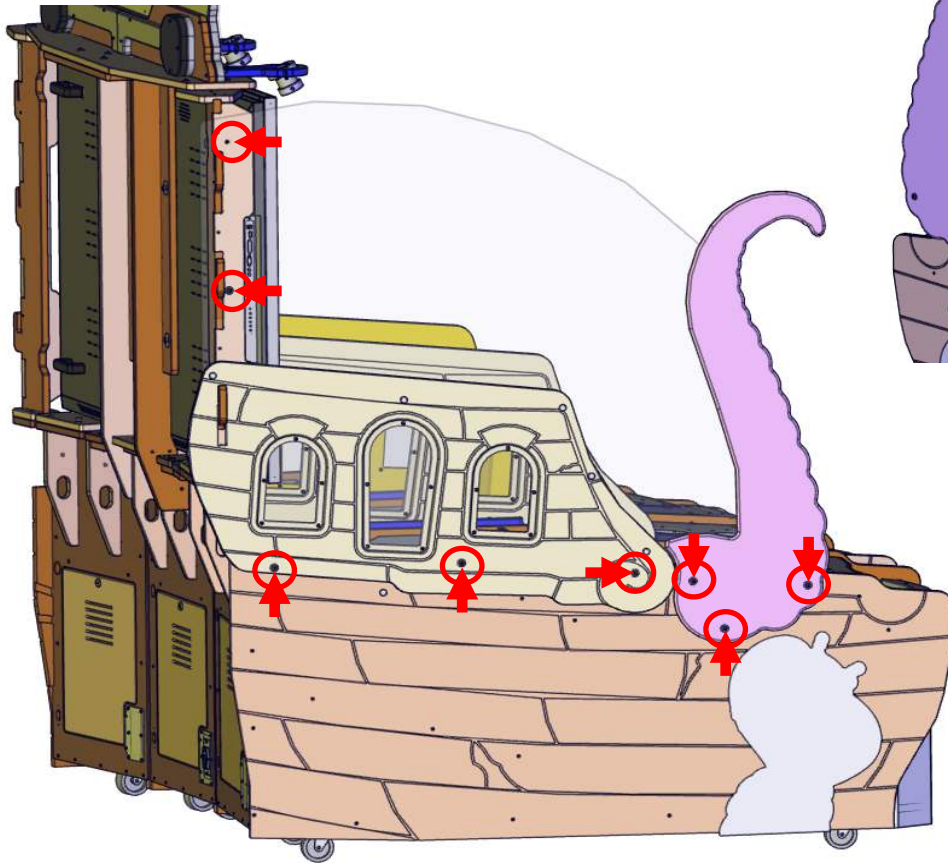


**X's 8**

AA6212 1/4 X 3/4 FLAT  
WASHER BLACK

Lift the side panel up onto the hooks in back.

Secure using seven AA6281 Allen's and AA6212 washers.



X's 8

AA6281 1/4-20 X 1-1/2 BLACK

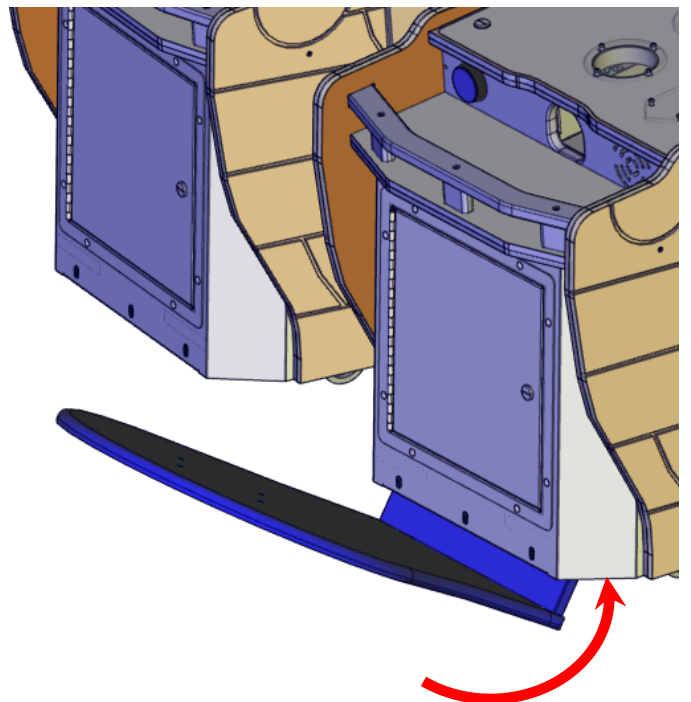
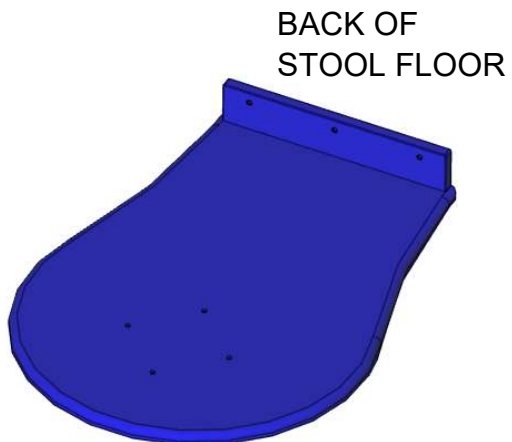


X's 8

AA6212 1/4 X 3/4 FLAT  
WASHER BLACK

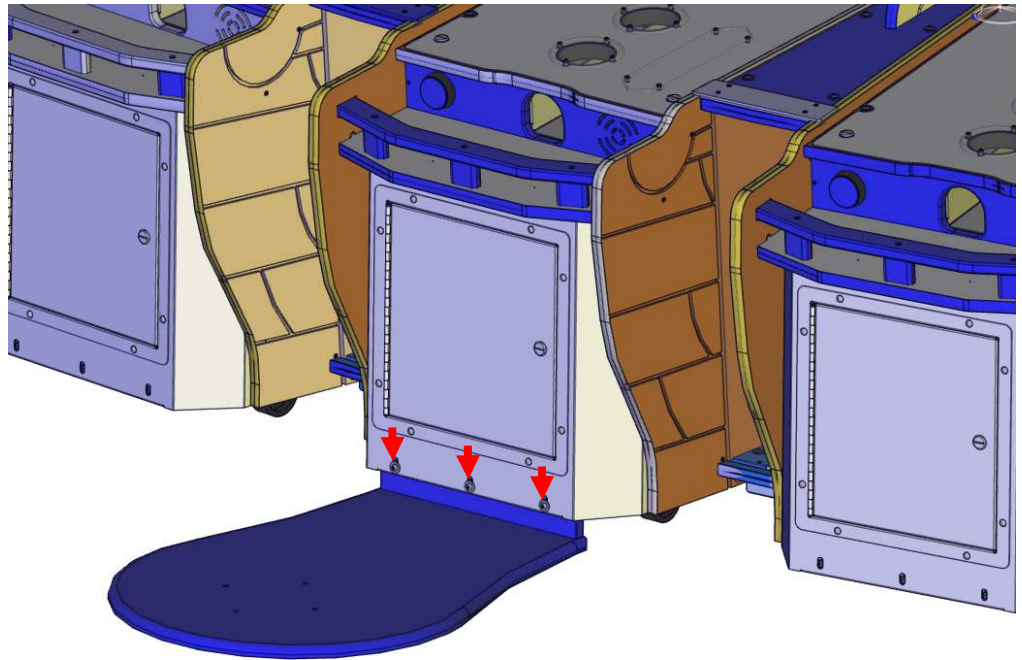
## Step 10: Stools Install

Insert the back of the stool floor under one of the stations front.



 **X's 3**  
AA6281 1/4-20 X 1-1/2 BLACK

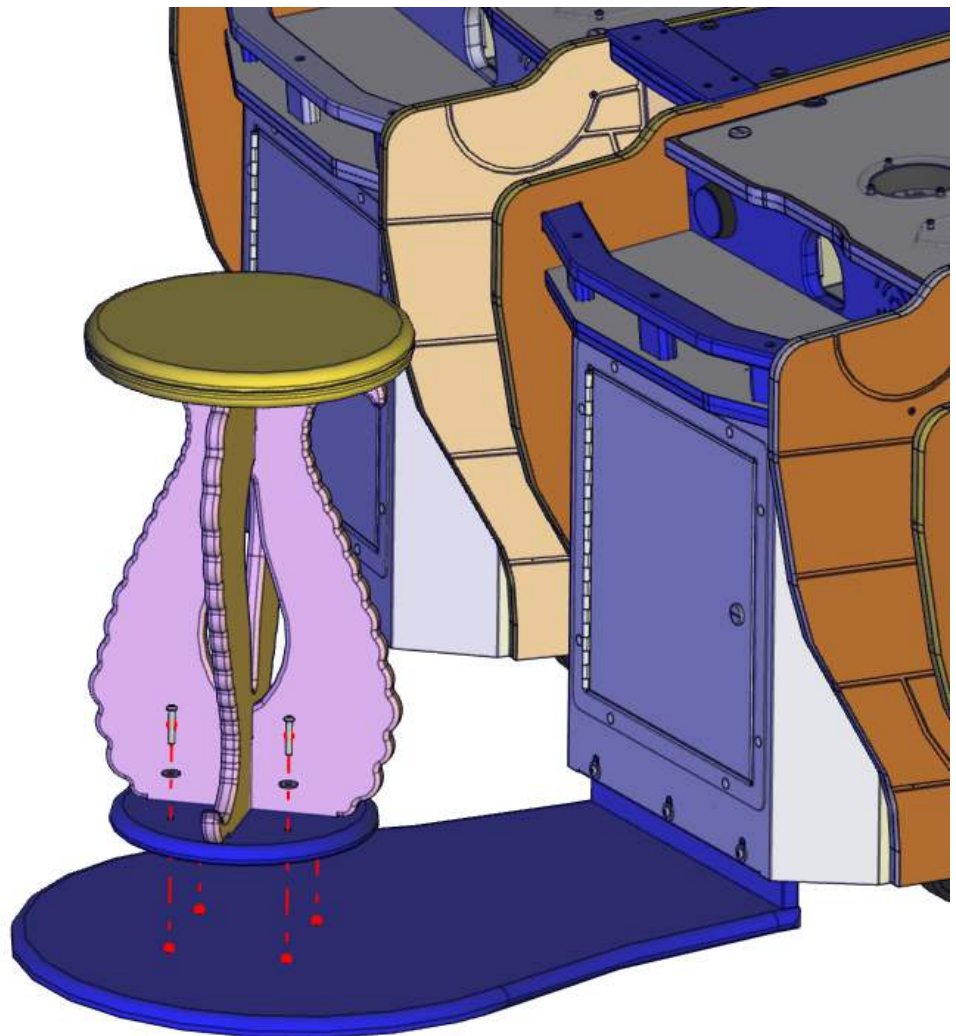
 **X's 3**  
AA6212 1/4 X 3/4 FLAT  
WASHER BLACK



Secure the floor using three AA6281 Allen's and AA6212 washers.

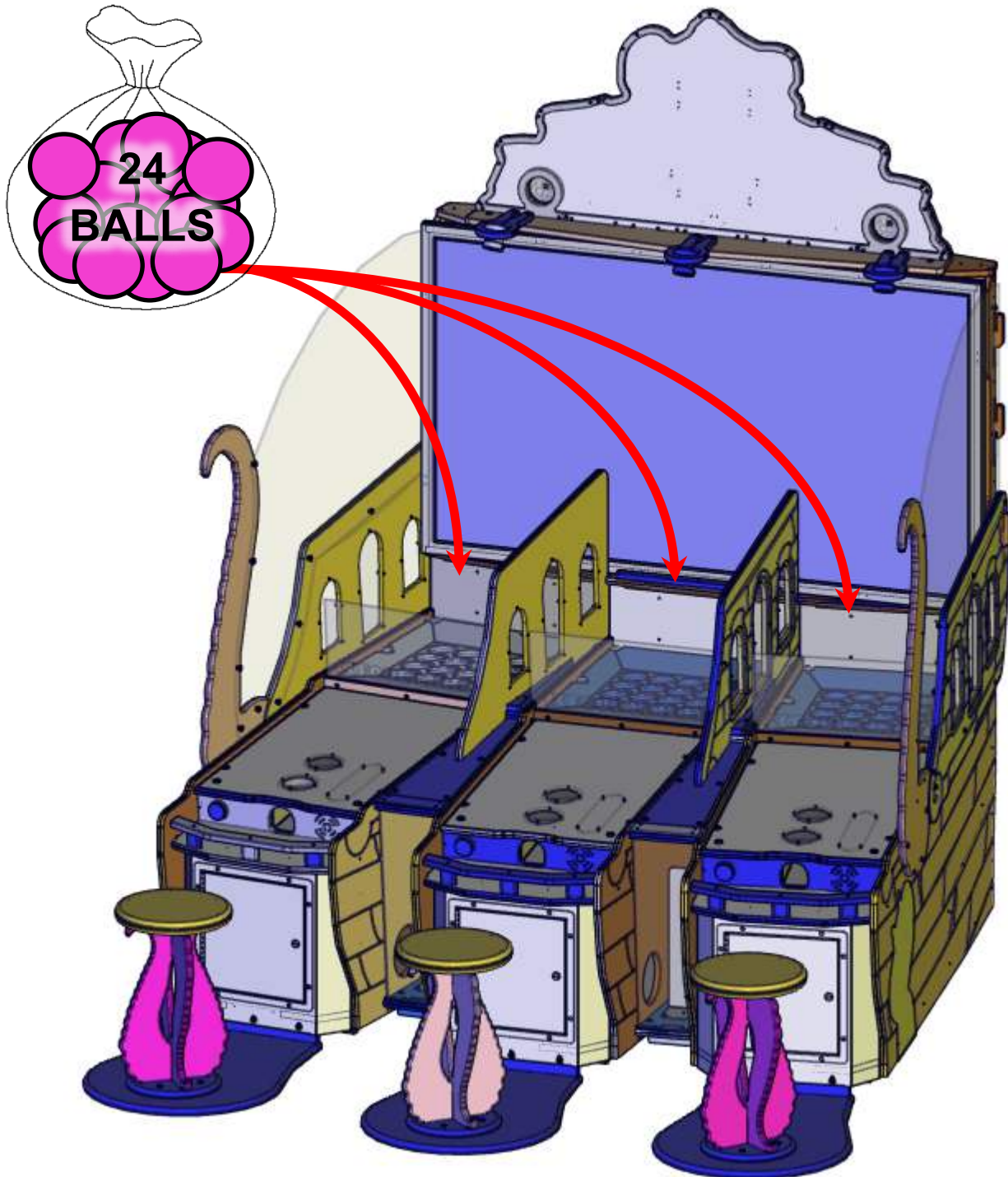
 **X's 4**  
AA6281 1/4-20 X 1-1/2 BLACK

 **X's 4**  
AA6212 1/4 X 3/4 FLAT  
WASHER BLACK



Secure the stool using four AA6281 Allen's and AA6212 washers.

**REPEAT FOR THE REMAINING TWO STOOLS.**



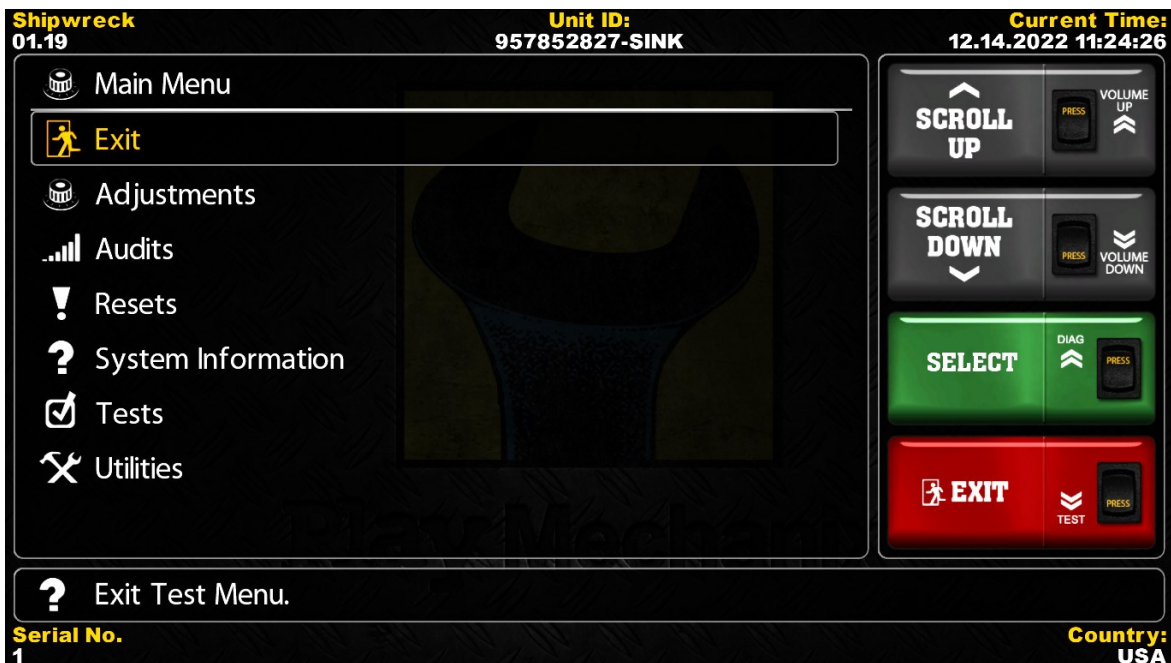
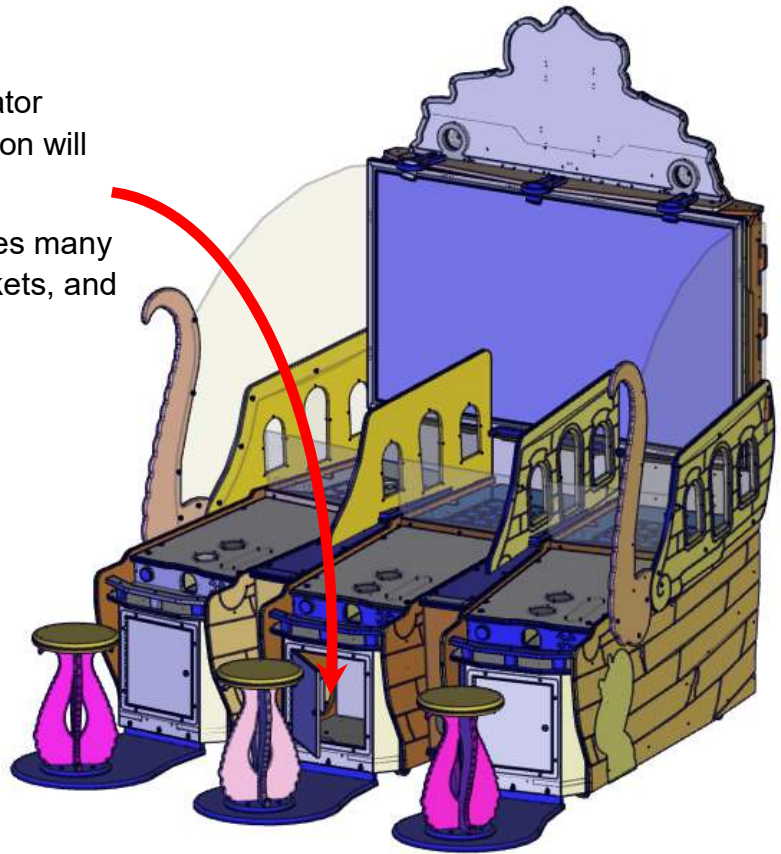
Toss 24 balls into each playfield.

**Maintain a MINIMUM COUNT of 72 balls and a MAXIMUM of 84 balls in the hopper at all times for the game to operate correctly.** More than 84 Balls will cause ERROR issues, less that 72 Balls will cause ERROR issues.

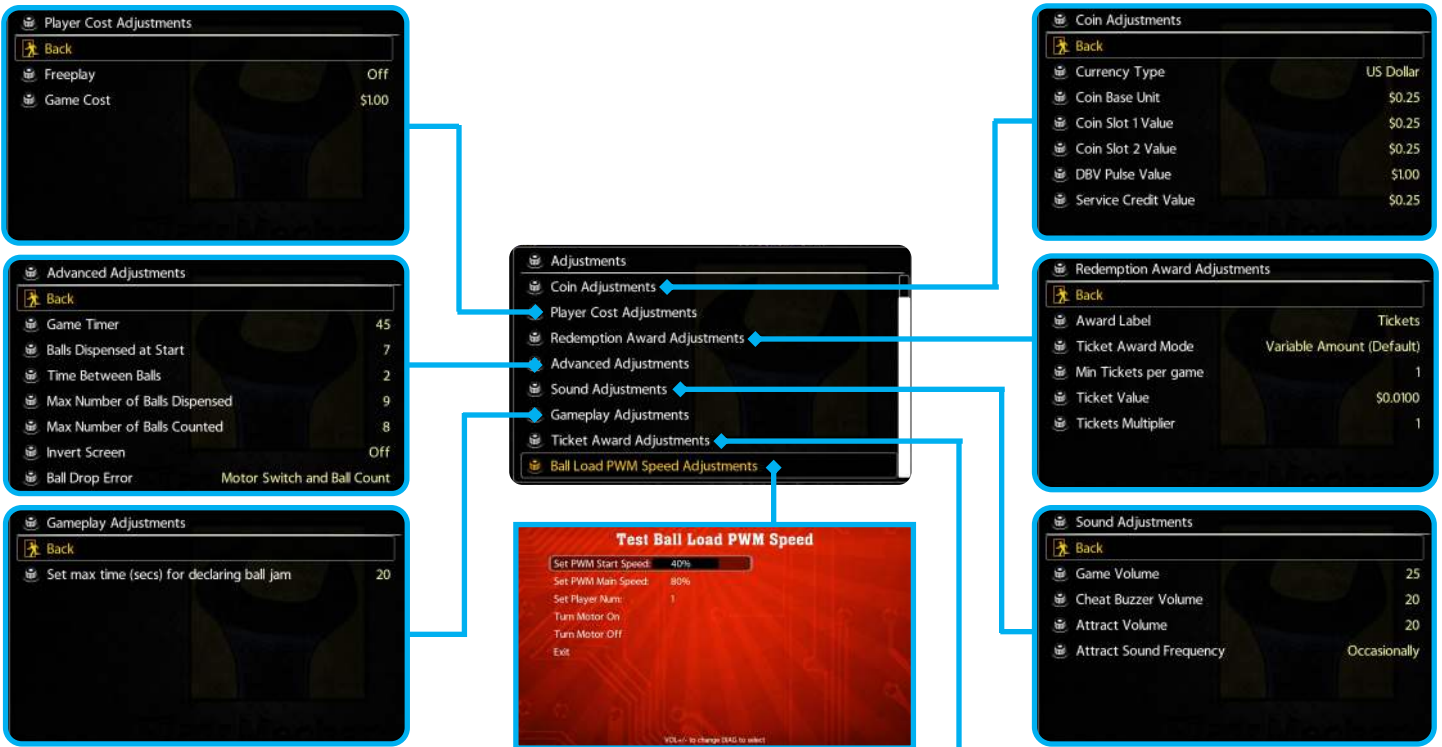
# GAME OPTIONS

Located at the center station is the operator control panel. Pressing the “PROG” button will enter the game’s main menu.

There you will be able to adjust the games many options, see audits, reset credits and tickets, and test various functions of your game.



## The following menus can be found under Adjustments.



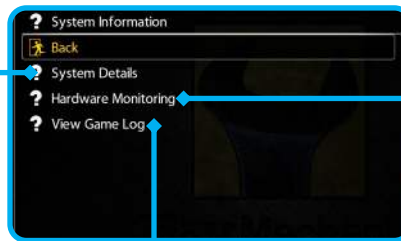
## The following menus can be found under Audits.



The following menus can be found under Adjustments.



The following menus can be found under System Information.



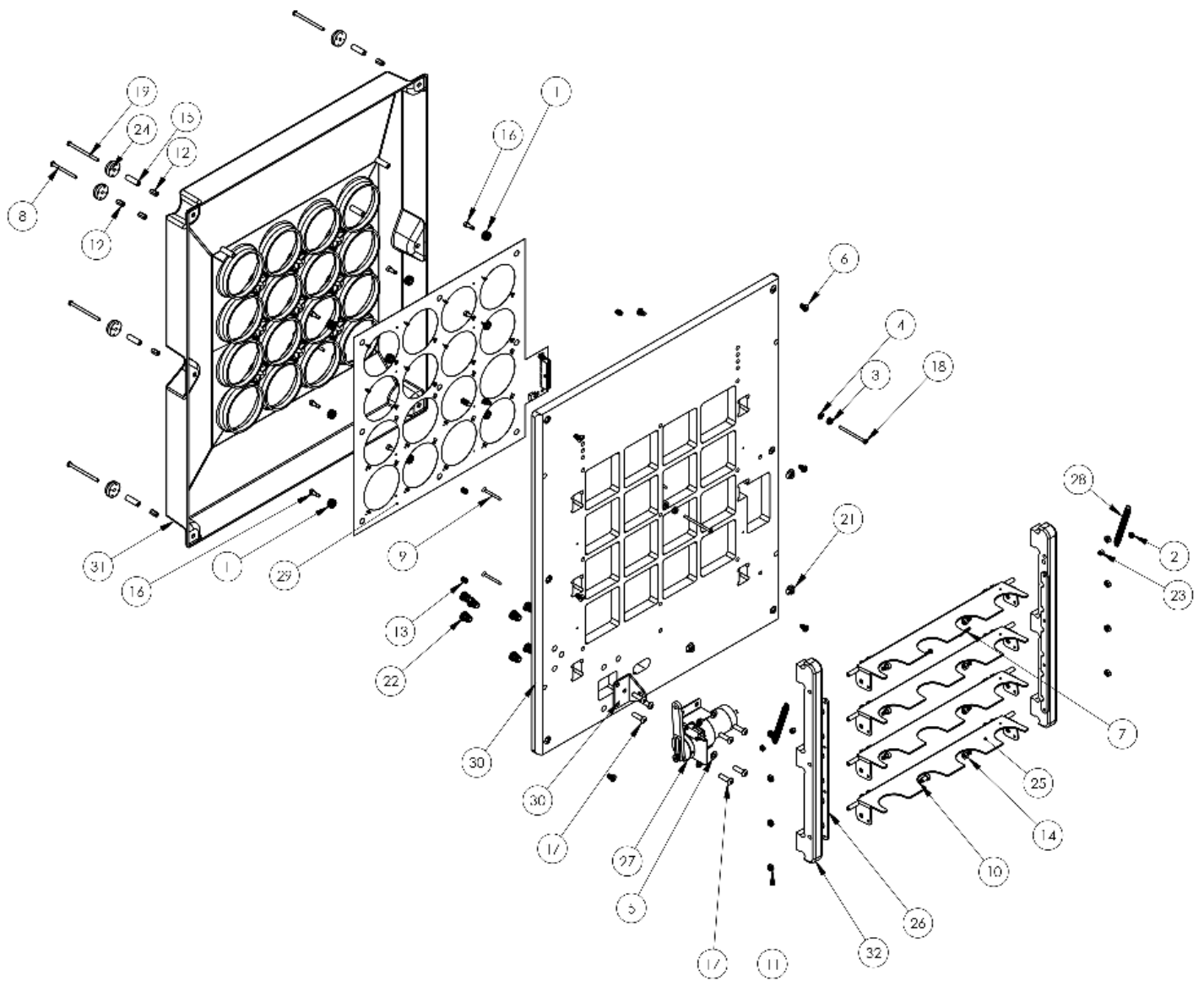
The following menus can be found under Utilities.



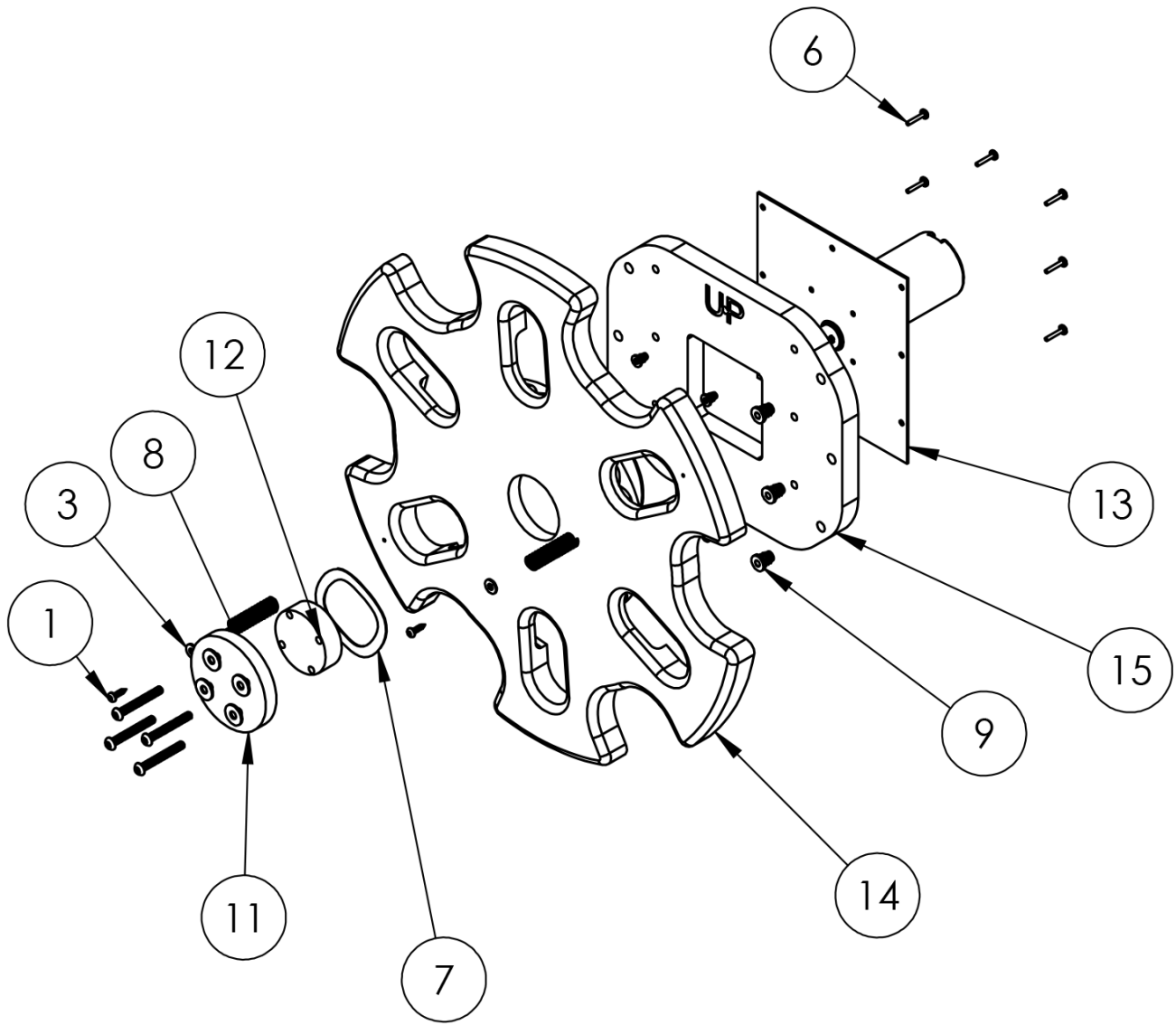
# The following menus can be found under Tests.



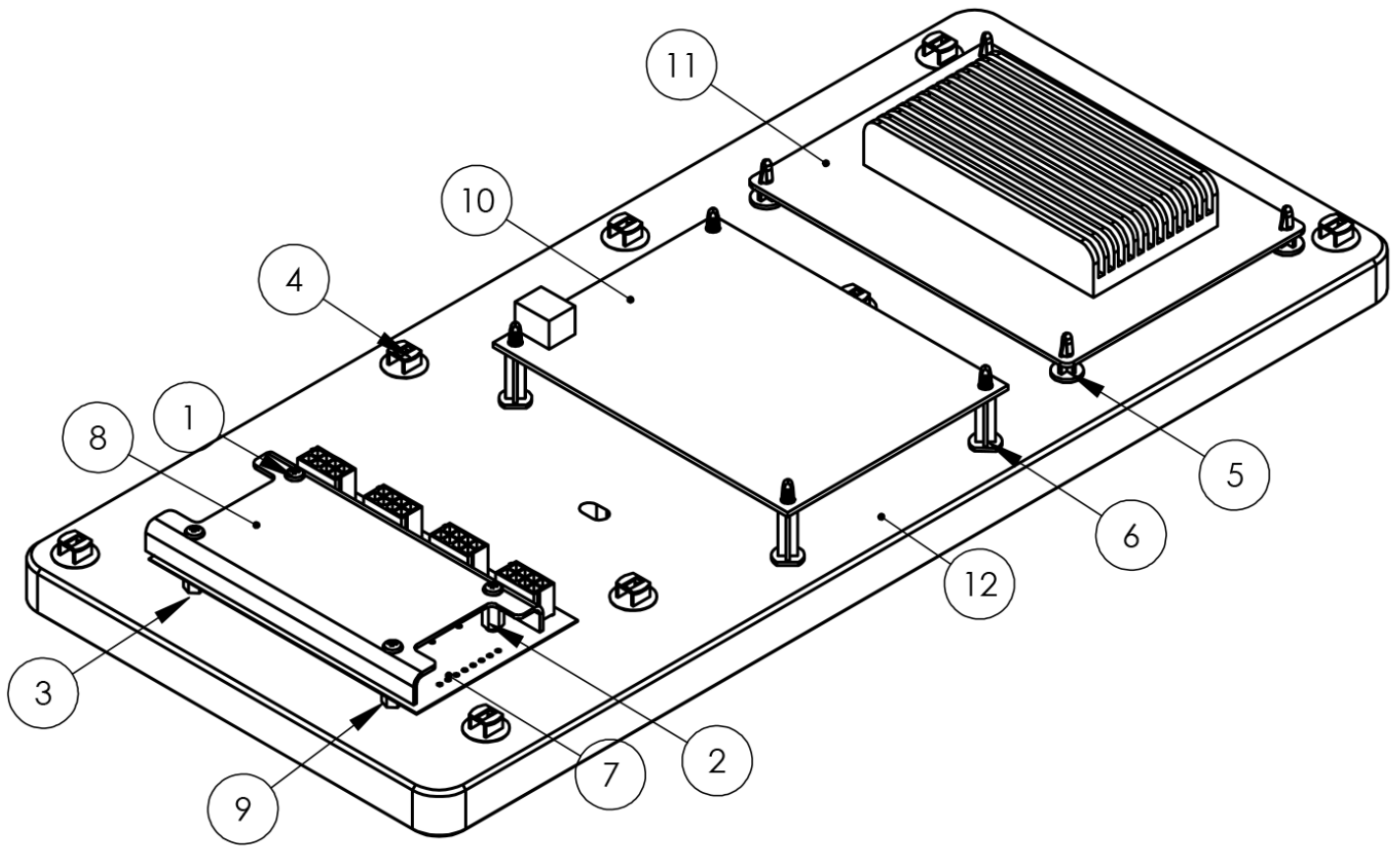




Item	Part #	Description	Qty	Item	Part #	Description	Qty
1	AA4034	9311K136_VIBRATION-DAMPING GROMMET	9	16	AA6699	8-32 X 3/8 SHOULDER BOLT 3/16	8
2	AA6002A	6-32 NYLOCK NUT	2	17	AA6799	1/4-20 X 7/8 BICS (BLACK)	7
3	AA6004a	8-32 KEP NUT	2	18	AA6820	6-32 x 2 LG. PPHMS	2
4	AA6031	#8 FLAT WASHER (ZINC)	2	19	AA6968	#8-32 x 2-1/2 LG PPHMS	4
5	AA6033	1/4 SPLI LOCKWASHER	4	20	CX1029	BRACKET (PISTON MOUNT)	1
6	AA6061	6-32 CAB INSRFT (J-50111)	8	21	E00434	CABINET HOLLOWDR BARBD WITH ZIP TIE	3
7	AA6073	6-32 X 3/4 PPHMS	2	22	PC60631	025-20 CABINET INSERT (J50115)	/
8	AA6078	8-32 X 2 PPHMS	1	23	PC60643	6-32 x 1/4 IIII SPACFR	9
9	AA6166	#6 DRYWALL SCREW 1-1/2" SG-PH TPOO HED HEAD	4	24	RB4004	BUMPER (RUBBER)	7
10	AA6195	10-32 X 1/4 X 3/8 SHOULDER BOLT SS	1	25	WP1022X	LOUVER	4
11	AA6242	10-32 NYLOCK JAM. NUT SS	8	26	WP1023	LOUVER LINKAGE	2
12	AA6446	8-32 X 1/2 HH SPACFR 14H SPO13	8	27	WP1054X	LOUVER DRIVE MTR ASSY	1
13	AA6493	8-32 X 25/64 THREADED INSERT	9	28	WP1066	EXTENSION SPRG (L3.75" OD.375")	9
14	AA6494	10-32 X 1/4 X 5/32 SHOULDR BOLT 18-8 SS	7	29	WP2039X	SENSOR BOARD	1
15	AA6526	8 ID X 5/16 OD X 1" LONG NYLON SPACFR	8	30	WP3002	PLAYFIELD FLOOR	1
				31	WP3003	PLAYFIELD FORM	1
				32	WP3009	BEARING BLOCK	2

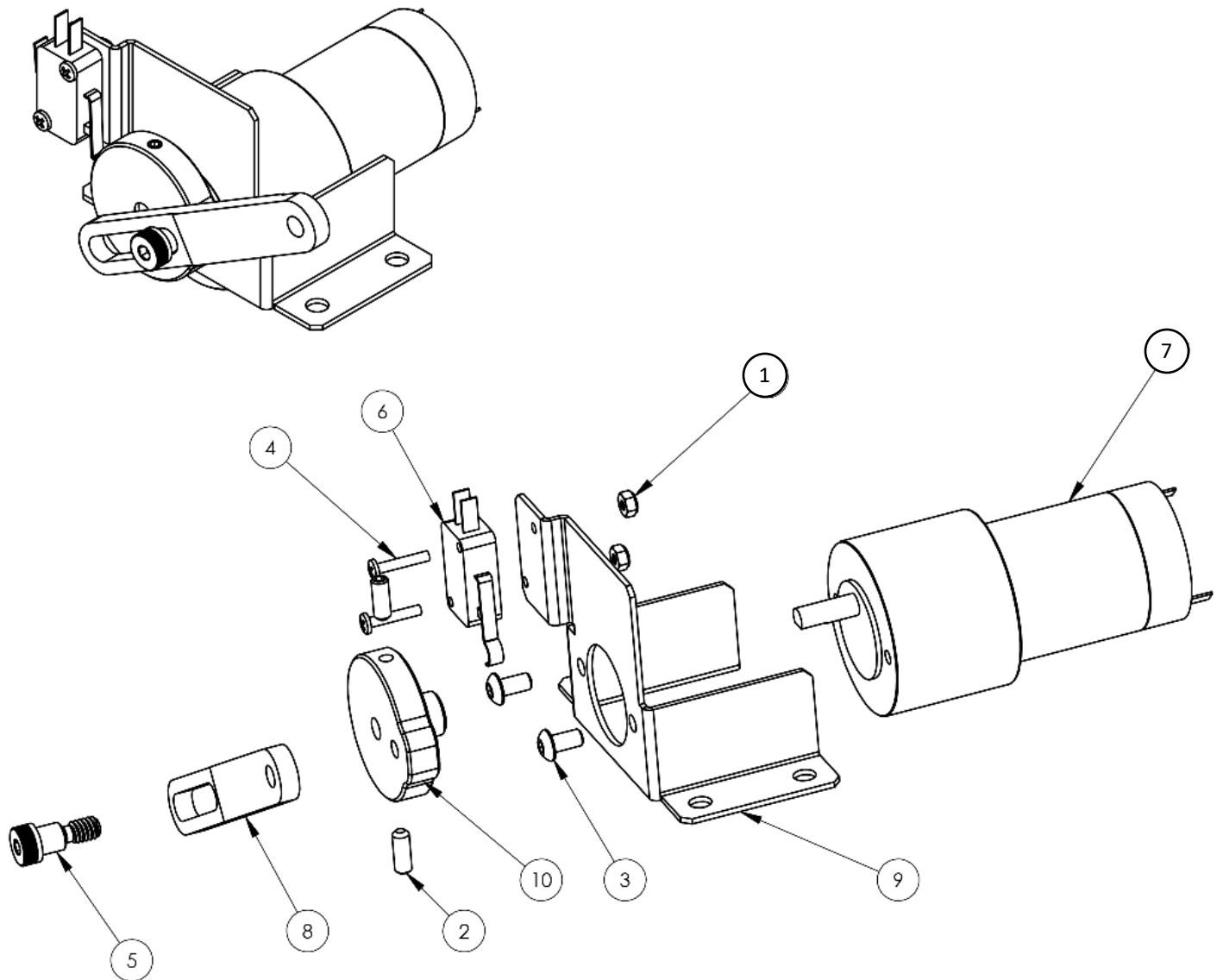


ITEM NO.	PART NUMBER	DESCRIPTION	QTY.
1	AA0655S	8 X 5/8 SQ. DRIVE	2
2	AA6061	8-32 CAB INSERT (J-50111)	7
3	AA6131	10 FLAT WASHER (SAE) SILVER ZINC	2
4	AA6212	1/4 x 3/4 FLAT WASHER BLACK (USS)	4
5	AA6584	1/4-20 X 2 BSHCS BLACK	4
6	AA6831	8-32 X 3/4 PPHMS	7
7	AA6964	WAVE WASHER 2.37 ID	1
8	HH1013	ACTUATOR SLIDE SPRING	2
9	PC60631	025-20 CABINET INSERT (J50115)	6
10	TL1053	DRIVE GEAR PLATE	1
11	TL3020	SPRING HUB	1
12	TL3021	HUB SPACER	1
13	WP1058X	MOTOR ASSY	1
14	WP3012	ELEVATOR WHEEL	1
15	WP3061	MOTOR MOUNT	1



ITEM NO.	PART NUMBER	DESCRIPTION	QTY.
1	AA0641S	6-32 x 1/4" LG. PRHMS	4
2	AA0644	6-32 x 1/2 HH SPACER	4
3	AA6203	FH-632-20	4
4	E00434	CABLE TIE HOLDER BARBED	8
5	E01669	BRD SPT SNAP LOCK BARBED 1/4"	4
6	E01682	STAND OFF PCB LOCK BARBED 7/8"	4
7	E02010X	PCBA (FUSE BOARD) 8 X 5 AMP	1
8	KF3199	KF2011CX COVER	1
9	PC60643	6-32 x 1/4 HH SPACER	4
10	WE2034X	PCBA MAIN I/O RIO2 500-00199-05	1
11	WP2006	AUDIO AMP 8X50W USB-IN	1
12	WP3082	ELECTRICAL PANEL	1

ITEM NO.	PART NUMBER	DESCRIPTION	QTY.
1	AA6093	4-40 NYLOCK NUT	2
2	AA6384	SET SCREW CUP SKT 0.19-32x0.5	2
3	AA6476	#10-32 x .375" BHSC	2
4	AA6748	4-40 X 5/8 BSHCS	2
5	AA6940	1/4-20 X 7/16 SHOULDER 5/16 OD X 5/16	1
6	EO8452	MICROSWITCH	1
7	FB2008X	ASY (TARGET MOTOR)	1
8	WP1014	DRIVE LINKAGE	1
9	WP1015	MOTOR BRACKET	1
10	WP1050	DRIVE CAM	1





## Universal Card link Connection

See Wiring Insert for wire colors and which connections are used.

**Pin 1.** +12v- Supply to Card System = Minimum of 2A available for the card systems and a Max of 3A.

**Pin 2.** Coin 1 - input to the game PCB.

Pin 3. Prize Meter/Ticket Notch 2- is connected to the Ticket Notch line between the game PCB and ticket dispenser. Optional.

**Pin 4.** Coin Meter 1 - is connected to the coin meter 1 output from the game PCB and can be used by card systems for monitoring purposes.

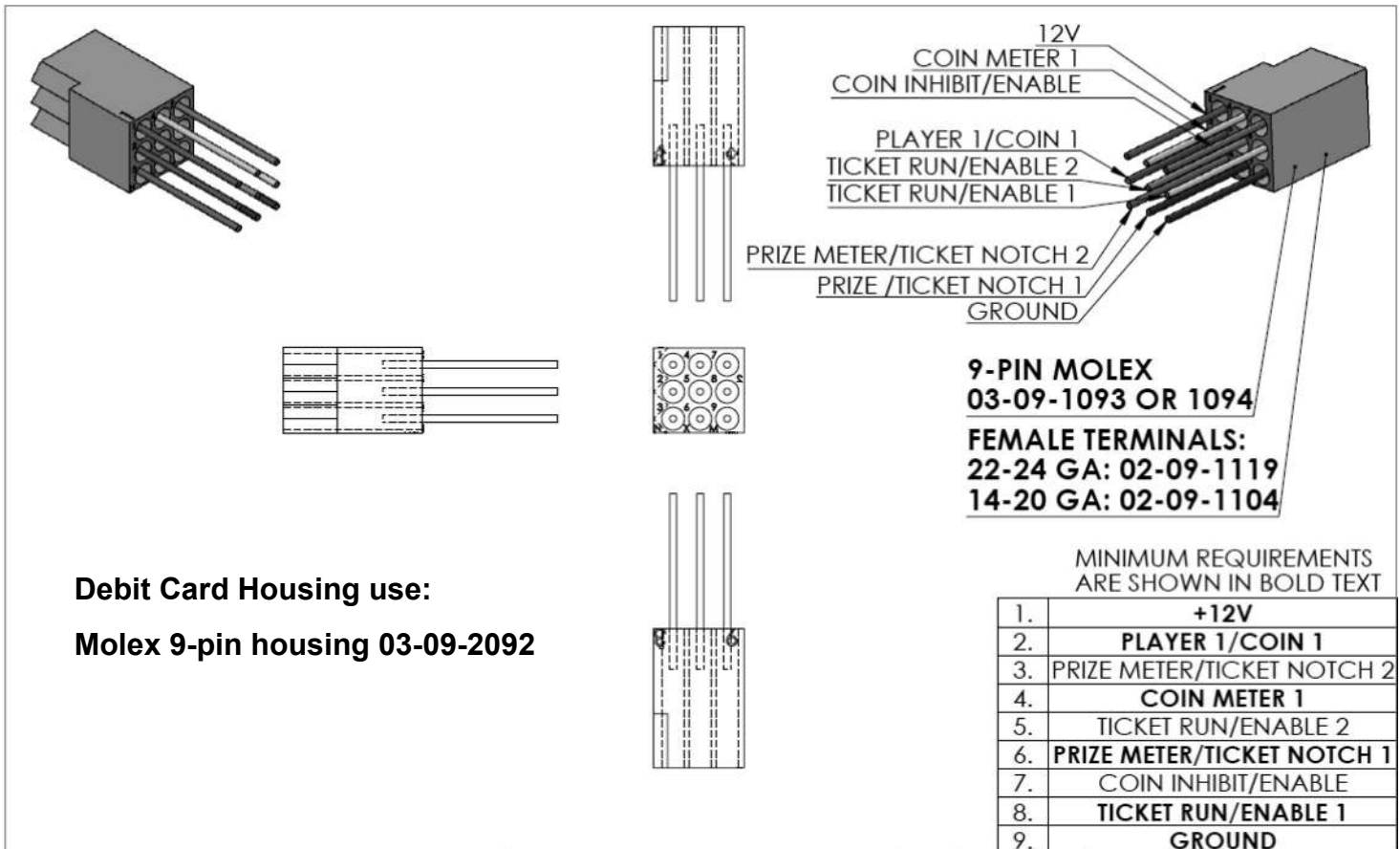
Pin 5. Ticket Run/Enable 2- is connected to the ticket run line between the game PCB and ticket dispenser. Optional.

**Pin 6.** Prize Meter/Ticket Notch 1- is connected to the Prize or Ticket Meter output from the game PCB and can be used by card systems for monitoring purposes. Optional.

Pin 7. Coin Inhibit/Enable- is connected to the Coin or Note Inhibit/Enable output from the Game PCB and is used where the game has this feature for disabling any payment. This is normally for states like New Jersey that limit the amount of money that can be inserted at one time.

**Pin 8.** Ticket Run/Enable 1 - is connected to the ticket run line between the game PCB and ticket dispenser in standard redemption games. This is commonly used for systems using paperless or E-ticket. Not Used if the game doesn't have this output.

**Pin 9.** Ground- is connected to the common Ground connection, the same ground as the Game PCB.





# WARRANTY POLICY

I.C.E. Inc warrants all components in new machines to be free of defects in materials and workmanship for the period listed below:

- 180 days on Main PCB's, Computers & Motors
- 1 year on all LCD monitor panels
- 90 days on all other electronic and mechanical components
- 30 days on all I.C.E. repairs and parts purchases

I.C.E. Inc shall not be obligated to furnish a warranty request under the following conditions:

- Equipment or parts have failed through normal wear and tear
- Equipment has been subjected to unwarranted stress, abuse or neglect
- Equipment has been damaged as a result of arbitrary repair/modification

Products will only be covered under warranty by obtaining an I.C.E. authorized RMA #. To obtain an RMA # please provide I.C.E. tech support with the game serial # or original I.C.E. invoice # and a detailed description of the failure or fault symptoms.

I.C.E. Inc will assume no liability whatsoever for costs associated with labor or travel time to replace defective parts. All defective warranty covered components will be replaced with new or factory refurbished components equal to OEM specifications.

I.C.E. Inc will cover domestic UPS ground, or comparable shipping costs during the warranty period. International or expedited shipments are available for an additional charge. To obtain credit defective parts must be returned to I.C.E. Inc, at the customer's expense, within 30 days. After 30 days a 15% re-stocking fee will apply to all returns.

ICE distributors are independent, privately owned and operated. In their judgment, they may sell parts and/or accessories other than those manufactured by I.C.E. Inc. We cannot be responsible for the quality, suitability or safety of any non-I.C.E. part or modification (including labor) that is performed by such a distributor.

**Innovative Concepts in Entertainment**

**10123 Main St.**

**Clarence, NY 14031**

**Phone #: (716) - 759 – 0360**

**Fax #: (716) – 759 – 0884**

**[www.icegame.com](http://www.icegame.com)**