

Show your best moves with STORM™, the new interactive VR coin-op ride simulator!

Immersive and addictive, sit side by side with your friends and compete to get the highest score! Fun for everyone and easy to play, you'll crave for more rides to get through all levels and become the master!



>135M

PEOPLE HAVE EXPERIENCED A TRIOTECH ATTRACTION SINCE 2005.

65

PRESENT IN OVER 65 COUNTRIES.

415

OVER 415 ATTRACTIONS WORLDWIDE.

25M

PEOPLE EXPERIENCE A TRIOTECH ATTRACTION EACH YEAR.

20

YEARS OF SUCCESS IN DELIVERING HIGH ROI AND AWESOME GUEST EXPERIENCE.



Triotech



(800) 524-2343 | sales@betson.com
www.betson.com



**MOST ADDICTIVE
MULTIPLAYER
VR COIN-OP
SIMULATOR**



Triotech



Product Description

The Storm™ is Triotech's new interactive VR coin-op simulator ride. Easy to install and to maintain for operators, it features 2 motion seats and special effects like wind to provide an **amazing and thrilling ride.** A one-of-a-kind VR gaming experience in which players interact by simply waving their hands!



Hand Gesture Interactivity



Virtual Reality



Multiplayer



Coin-Op



Double Motion Seats



Wind Effects

Why Storm™

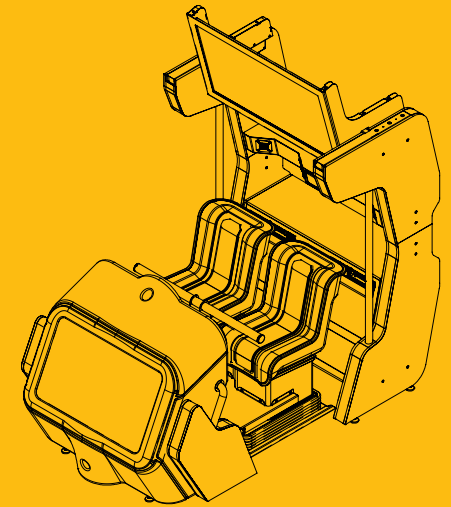
Multiplayer, Challenging and Interactive.

A new plug & play coin-op simulator with a **wide appeal!**

The hand-gesture interactivity **drives replayability** as players compete to get the highest score.



Specifications



PRODUCT DIMENSIONS

- Footprint required is 50 square feet
- **Width:** 5'3" (1.6m)
- **Length:** 9'1" (2.77m)
- **Height:** 9'6" (2.92m)

Configurations

- **Electric Supply Required :**
120V – 15 amp, 240V – 8 amp
- **55" Attract Mode TV**
- **Mask Dispenser Included**
- **No Wifi Required**

2 Motion Seats

50 Square Feet
Required Footprint

*Specifications and look are subject to change.
For more info, please contact your representative.*