



STORM™



INTERACTIVE MULTIPLAYER VR SIMULATOR

The Storm™ is a one-of-a-kind VR gaming experience with hand gesture technology and competitive gameplay. This operator-free 2 motion seater with special effects offers an **amazing and thrilling ride** with **high ROI**.

WHY TRIOTECH'S STORM™

A hot and attractive new plug & play coin-op simulator with a **wide appeal!** The fun competitive gameplay, immersive and exciting ride, and diverse multi difficulty level film experiences, **drive replayability** as players compete to get the highest score.



VR EXPERIENCE



HAND GESTURE INTERACTIVITY



DOUBLE MOTION SEATS



COIN-OP



WIND FX

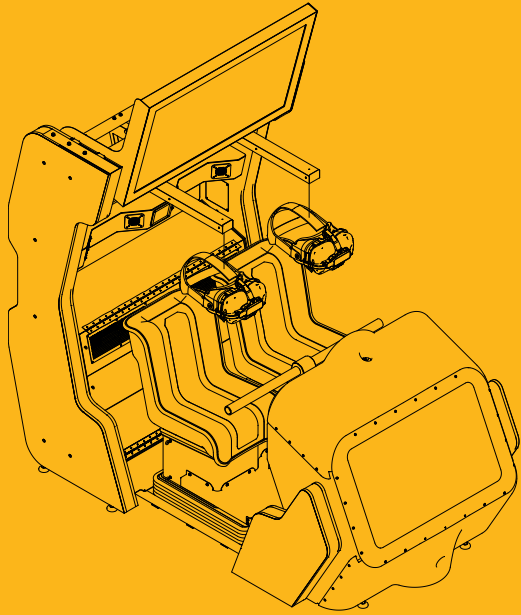


MULTIPLAYER COMPETITIVE GAMEPLAY



(800) 524-2343 | sales@betson.com | www.betson.com

SPECIFICATIONS



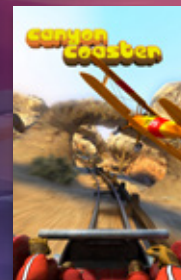
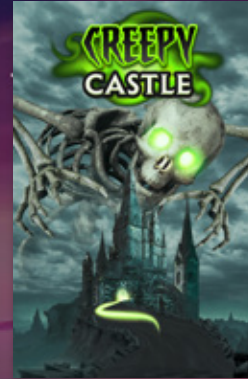
PRODUCT DIMENSIONS

- Required Footprint:**50 sq. ft.**
- Width: **5'3" (1.6m)**
- Length: **9'1" (2.77m)**
- Height: **9'6" (2.92m)**

CONFIGURATIONS

- Electric Supply Required:
 - 120V – 10 amp, 240V – 6 amp
- 55" Attract Mode TV
- Mask Dispenser Included
- No Wifi Required

Specifications and look are subject to change.



CONTENT

Clients have access to the following catalogue of multi-level thrilling content which provides a unique experience to this attraction. Triotech will continue developing a large content library like it has done for its other perennial best earner coin-op simulator: The Typhoon.

985M

PEOPLE HAVE EXPERIENCED A TRIOTECH ATTRACTION SINCE 2005

65

PRESENT IN OVER 65 COUNTRIES

3,000

OVER 3,000 ATTRACTIONS WORLDWIDE

104M

PEOPLE EXPERIENCE A TRIOTECH ATTRACTION EACH YEAR

20+

YEARS OF SUCCESS IN DELIVERING HIGH ROI AND AWESOME GUEST EXPERIENCE



Triotech

Technical details are subject to change.

Please validate with your representative.

022024