

UNIANA

**BLACK HOLE
SERVICE PARTS LIST**

UNIANA Co., Ltd.

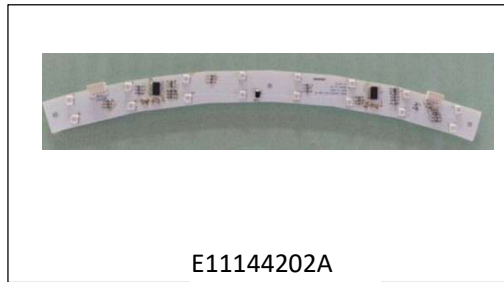
BLACK HOLE SERVICE PARTS LIST

No.	Ass'y Name	Part No.	Description	Qty	Coastal Part#
1	MAIN BOARD & PCB ASS'Y	E11141101B	MAIN BOARD	1	3880
2		E11141201A	PROGRAM CPU	1	3879
3		E11142001A	CONTROL PANEL TEXT LCD PCB	1	3881
4		E11143302A	CREDIT FND PCB	1	3882
5		E11143202A	TICKETS OWED FND PCB	1	3891
6		E11143002A	JACKPOT FND PCB	1	3883
7		E11143102A	SCORE FND PCB	1	3890
8		E11145002A	SCORE SENSOR PCB A (TX)	1	3886
9		E11145102A	SCORE SENSOR PCB B (RX)	1	3887
10		E11145202A	START SENSOR PCB A (TX)	1	3888
11		E11145302B	START SENSOR PCB B (RX)	1	3889



BLACK HOLE SERVICE PARTS LIST

No.	Ass'y Name	Part No.	Description	Qty	Coastal Part#
12	LIGHTING PCB ASS'Y	E11144102A	INNER LIGHTING PCB	15	3892
13		E11144202A	ROUND LIGHTING PCB	8	3884
14		E11144002A	START LIGHTING PCB	1	3885
15		C03140201A	LIGHTING LED BAR A (L=500mm)	2	3861
16		C03140202A	LIGHTING LED BAR B (L=700mm)	1	3862



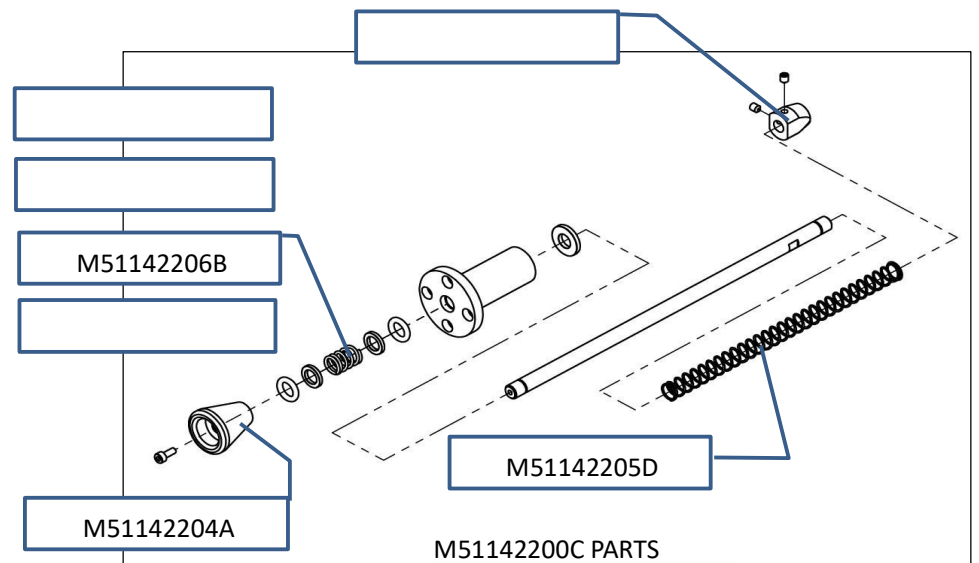
BLACK HOLE SERVICE PARTS LIST

No.	Ass'y Name	Part No.	Description	Qty	Coastal Part#
1	CONTROL SWITCH PANEL ASS'Y (A71417500A)	C02140801A	COUNTER (7D 12V)	2	
2		C01140101A	ROCKER SWITCH (T-125 4P)	1	
3	BLACK HOLE ASS'Y	C02140701A	SPEAKER (8ohm 20W)	2	
4		C01140102A	NOISE FILTER (IP-0622-H2)	1	
5		C02140201A	SMPS 5V 5A	1	3895
6		C02140203A	SMPS 12V 12.5A	1	3896
7		C02140401A	TICKET LAMP	1	
8		C02140501A	TICKET DISPENSER	1	
9		C02140802A	ZIPPY SWITCH	1	3902



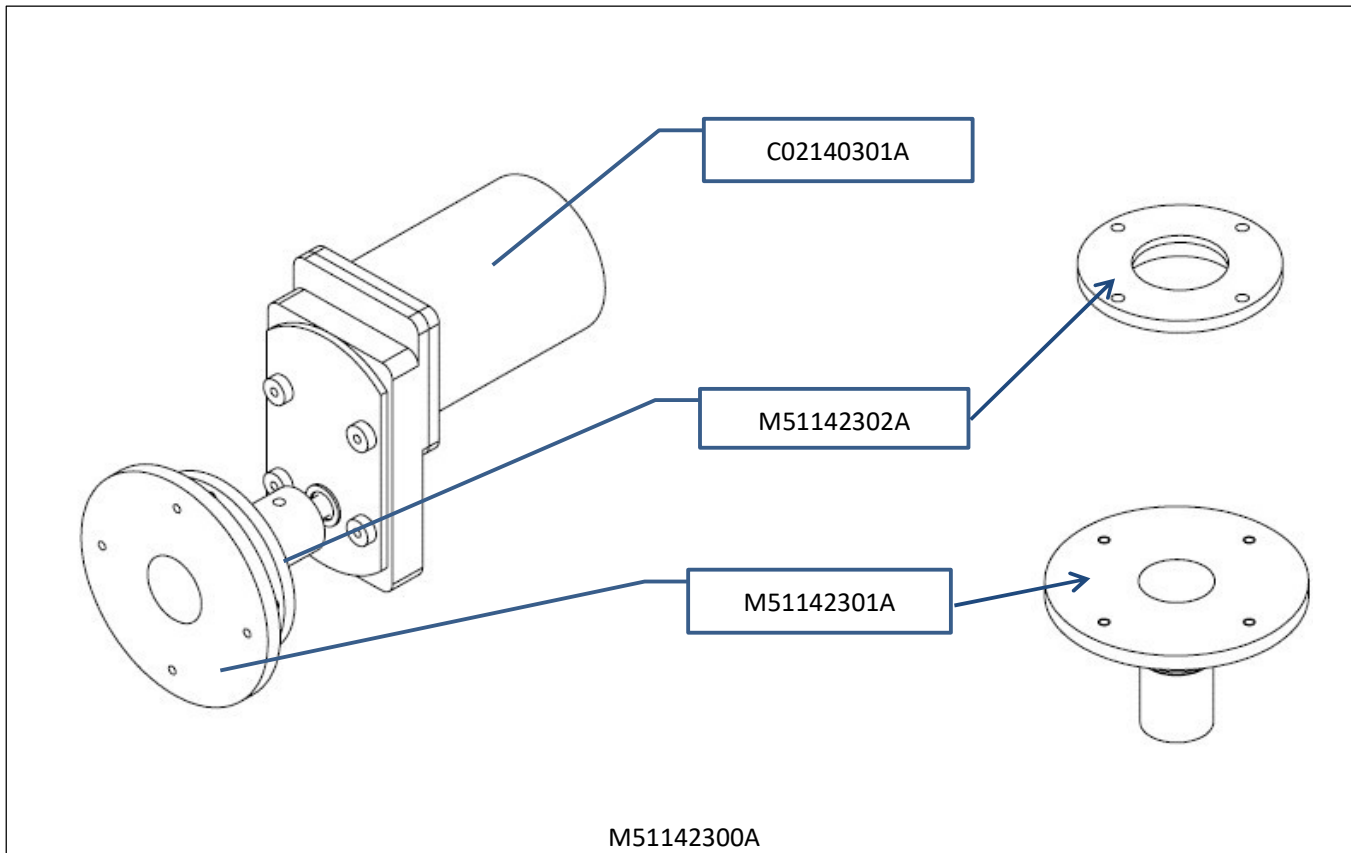
BLACK HOLE SERVICE PARTS LIST

No.	Ass'y Name	Part No.	Description	Qty	Coastal Part#
1	BALL PLUNGER ASS'Y (M51142200C)	M51142200C	BALL PLUNGER TOTAL ASS'Y	1	3901
2		M51142205D	PLUNGER SPRING	1	3898
3		M51142206B	STOPPER SPRING	1	3899
4		M51142204A	PLUNGER HANDLE	1	5510
			O-rings can be sourced locally		



BLACK HOLE SERVICE PARTS LIST

No.	Ass'y Name	Part No.	Description	Qty	Coastal Part#
6	BALL LOADLING MOTOR ASS'Y (M51142300A)	C02140301A	MOTOR(KGY-15W-360:1)	1	3877
7		M51142301A	BALL LOADING SHAFT	1	3876
8		M51142302A	WHEEL BEARING HOUSING	1	3873
9		W31141202A	BALL LOADING PL	1	3841



BLACK HOLE SERVICE PARTS LIST

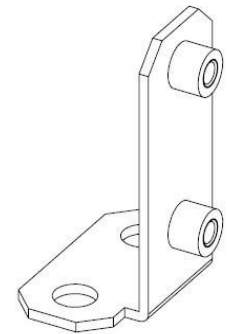
No.	Ass'y Name	Part No.	Description	Qty	Coastal Part#
10	BLACK HOLE	M51142125A	BALL SLOPE GUIDE SHAFT	3	3870
11		M51141111A	CENTER SHAFT	1	3867
12		FBH-S-1000	INNER LIGHTING BRK	14	3843



M51142125A



M51141111A



FBH-S-1000

BLACK HOLE SERVICE PARTS LIST

No.	Ass'y Name	Part No.	Description	Qty	Coastal Part#
1	GAME BOARD ASS'Y (M51141100A)	F51141101A	GAME BOARD RAIL	1	3820
2		F51141102A	GAME BOARD LIGHTING COVER	1	3821
3		G51141104B	GAME BOARD COVER ACRYL	1	3822
4		G51141103A	GAME BOARD BACK ACRYL	1	3824
5		G51141121A	ROUND BOTTOM ACRYL	1	3825
6		G51142905C	BILLBOARD TITLE PLEXI	2	3832
7		F51141111A	40mm BALL	3	3142
8	BLACK HOLE ASS'Y	B11140171A	SENSOR COVER FORM	1	3819



F51141101A



F51141102A



G51141104B



G51141103A



G51141121A



G51142905C



F51141111A



B11140171A

BLACK HOLE SERVICE PARTS LIST

No.	Ass'y Name	Part No.	Description	Qty	Coastal Part#
1	BLACK HOLE ASS'Y	G61141001A	CABINET SIDE SHEET - L	1	3834
2		G61141002A	CABINET SIDE SHEET - R	1	3835
3		G61141003A	CABINET FRONT SHEET	1	3844
4		G61141005A	SENSOR COVER SHEET	1	3836
5		G61141006A	DECK SIDE SHEET - L	1	3837
6		G61141007A	DECK SIDE SHEET - R	1	3838
7		G61141010A	SPEAKER COVER SHEET - L	1	3839
8		G61141011A	SPEAKER COVER SHEET - R	1	3840



G61141001A



G61141002A



G61141003A



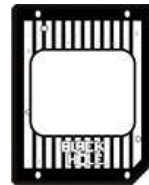
G61141005A



G61141006A



G61141007A



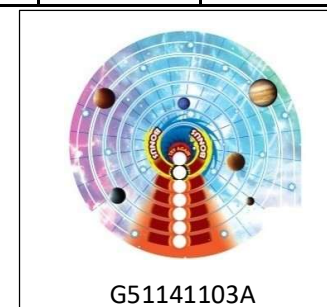
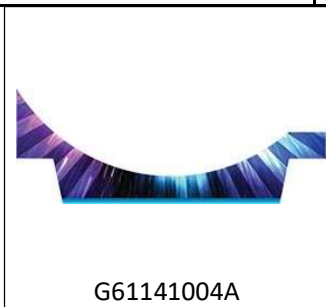
G61141010A



G61141011A

BLACK HOLE SERVICE PARTS LIST

No.	Ass'y Name	Part No.	Description	Qty	Coastal Part#
9	BLACK HOLE ASS'Y	G61141004A	MID FRONT SHEET	1	
10		G51142103B	BALL SLOPE COVER	1	3828
11		G61141103A	GAME BOARD BACK SHEET	1	3845
12		G51142502A	FRONT DECK COVER ACRYL	1	3831
13		G61142905A	BILLBOARD TITLE SHEET	1	3833
14		G51142705A	BONUS COVER ACRYL	1	3823



BLACK HOLE SERVICE PARTS LIST

No.	Ass'y Name	Part No.	Description	Qty	Coastal Part#
1	TICKET DOOR ASS'Y	M70143140A	STANDARD 2 COIN DOOR	1	
2		M70143150A	1 BILL & 1 COIN DOOR	1	3814
3		M70143160A	SWIPE DOOR	1	3815
4		M70143110A	TICKET DOOR	1	3818
5		M70143170A	BLANK TICKET DOOR	1	3816
6		S70143145A	COIN BOX GUIDE	1	3813
7		M70143121A	TICKET TRAY BOX	1	
8		C02140602A	COIN MECH (TW-333)	1	3812
9		B00140101A	CAM LOCK (6001-I)	1	3859
10		B00140102A	CAM LOCK (7001-I)	1	3864
11		H10149702A	TICKET HARNESS	1	3855
12		H10149703A	COIN M/C HARNESS	1	3856

BLACK HOLE SERVICE PARTS LIST



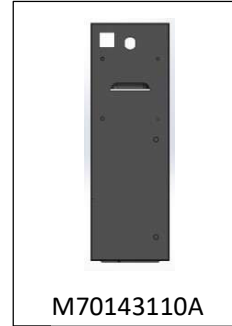
M70143140A



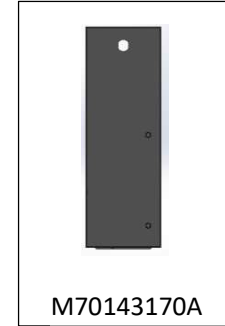
M70143150A



M70143160A



M70143110A



M70143170A



S70143145A



M70143121A



C02140602A



B00140101A



B00140102A



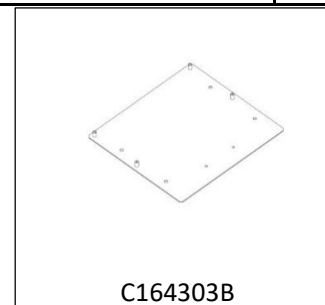
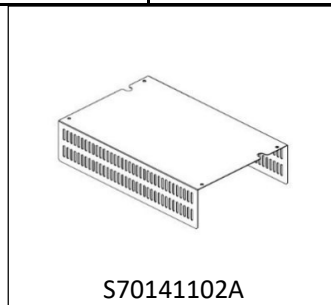
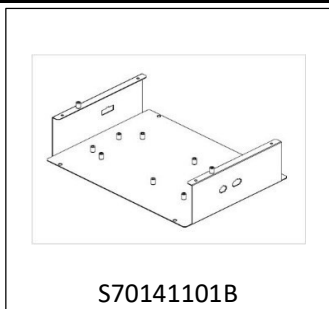
H10149702A



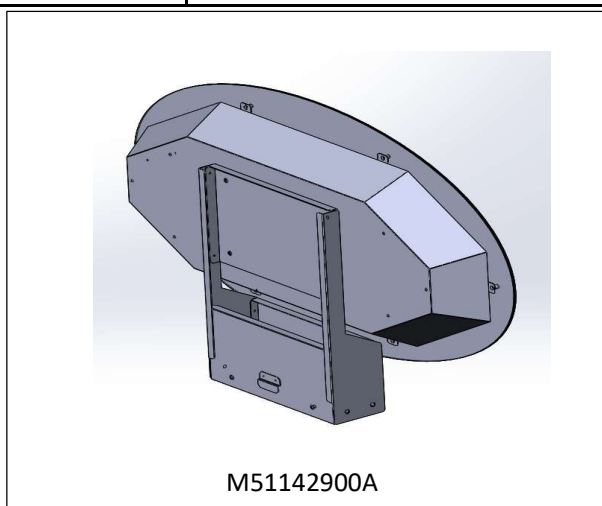
H10149703A

BLACK HOLE SERVICE PARTS LIST

No.	Ass'y Name	Part No.	Description	Qty	Coastal Part#
1	POWER BOX	S70141101B	POWER BOX BASE	1	3875
2		S70141102A	POWER BOX COVER	1	3872
3		C164303B	SMPS BASE PL	1	3874



No.	Ass'y Name	Part No.	Description	Qty	Coastal Part#
1	BILLBOARD BODY ASS'Y	M51142900A	Top marquee complete assembly	1	3900

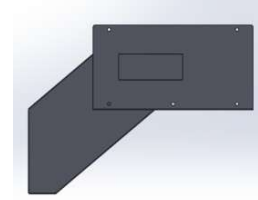


BLACK HOLE SERVICE PARTS LIST

No.	Ass'y Name	Part No.	Description	Qty	Coastal Part#
1	JACKPOT HOUSING ASS'Y	S51142701A	JACKPOT HOUSING BODY	1	6274
2	(M51142700A)	S51142702A	JACKPOT HOUSING BACK COVER	1	6275



S51142701A



S51142702A

BLACK HOLE SERVICE PARTS LIST

No.	Ass'y Name	Part No.	Description	Qty	Coastal Part#
1	BALL SLOPE ASS'Y	S51142101A	BALL SLOPE BODY	1	3868
2		G51142101A	BALL SLOPE MID ACRYL	1	3826
3		G51142104A	BALL SLOPE BOT ACRYL	1	3829
4		G51142102A	BALL SLOPE SIDE ACRYL - R	1	3827
5		G51142105A	BALL SLOPE SIDE ACRYL - L	1	3830
6		S51142109A	BALL STOPPER BRK	1	3869
7		B211022M-04-016	M4 FLAT HEAD 16mm BOLT (SILVER)	100	



S51142101A



G51142101A



G51142104A



G51142102A



G51142105A



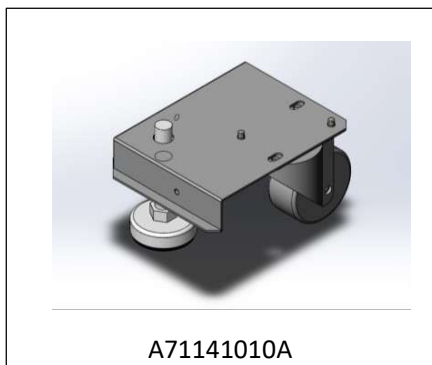
S51142109A



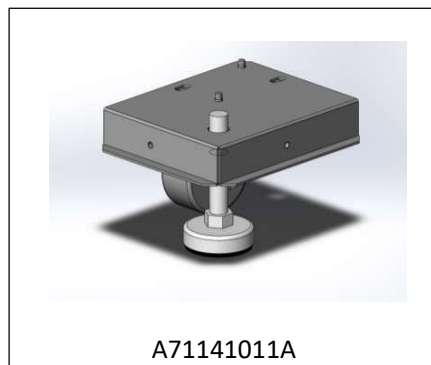
B211022M-04-016

BLACK HOLE SERVICE PARTS LIST

No.	Ass'y Name	Part No.	Description	Qty	Coastal Part#
1	CASTER BOX	A71141010A	CASTER BOX ASS'Y - L	2	
2		A71141020A	CASTER BOX ASS'Y - R	2	
3		S50149701A	CASTER BRKT - L	2	
4		S50149702A	CASTER BRKT - R	2	
5		B00141101A	CASTER (3" ROTATE)	4	
6		B00141201A	LEVELER (L=120)	4	



A71141010A



A71141011A



S50149701A



S50149702A



B00141101A



B00141201A

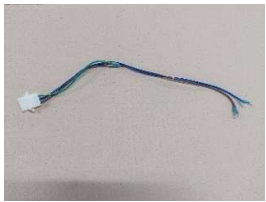
BLACK HOLE SERVICE PARTS LIST

No.	Ass'y Name	Part No.	Description	Qty	Coastal Part#
1	HARNESS	H10149121B	JACKPOT JOIN HARNESS	1	3852
2		H10149101B	LED JUMP-1	9	3849
3		H10149102B	LED JUMP-2	13	3850
4		H10149103A	LED JUMP-3	1	3851
5		H10149404A	DC POWER-4	1	
6		H10149211A	LED POWER-1	1	3854
7		H10149901B	JACKPOT / LED	1	3858
8		H10149910A	MAIN CON 11 / TEXT LCD PCB	1	3857

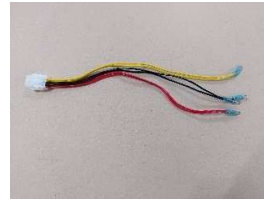


BLACK HOLE SERVICE PARTS LIST

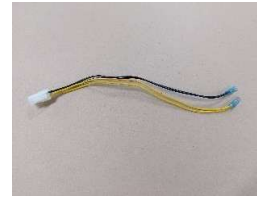
No.	Ass'y Name	Part No.	Description	Qty	Coastal Part#
9	HARNESS	H10149011A	AC POWER	1	
10		H10149401A	DC POWER_6PIN_1	1	6208
11		H10149403A	DC POWER_6PIN_2	1	6293
12		H10149402A	DC POWER_4PIN	1	
13		C02140803A	CLAMP FILTER	2	



H10149011A



H10149401A



H10149402A



C02140803A



H10149403A

BLACK HOLE SERVICE PARTS LIST

No.	Ass'y Name	Part No.	Description	Qty	Coastal Part#
1	CABINET	G78011801A	T-MOLDING (BLACK W:18mm) 1M	1	3089
2		G78011501A	T-MOLDING (BLACK W:15mm) 1M	1	3088

